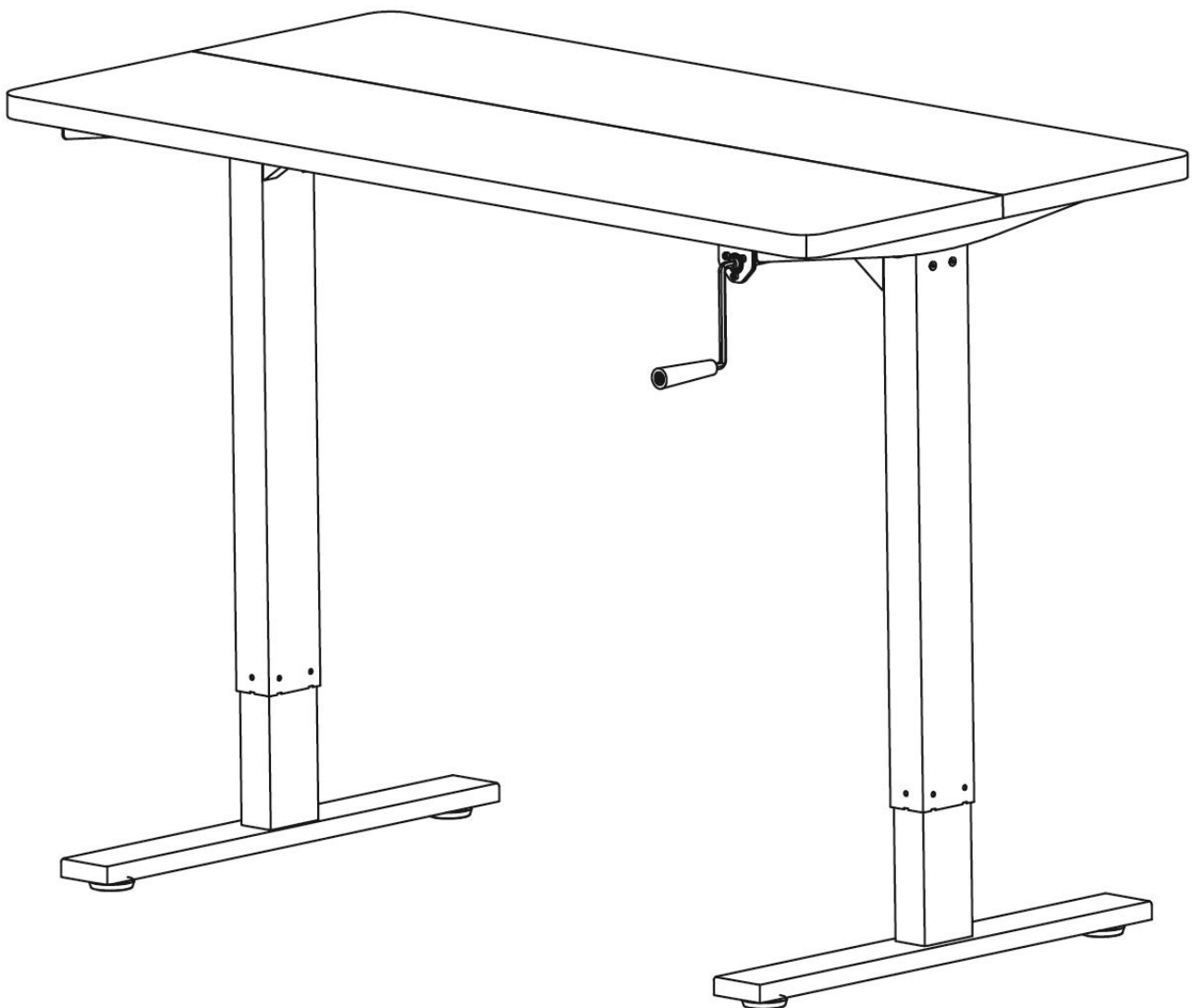




Rife Technologies

Crank Height Adjustable Desk CT1200



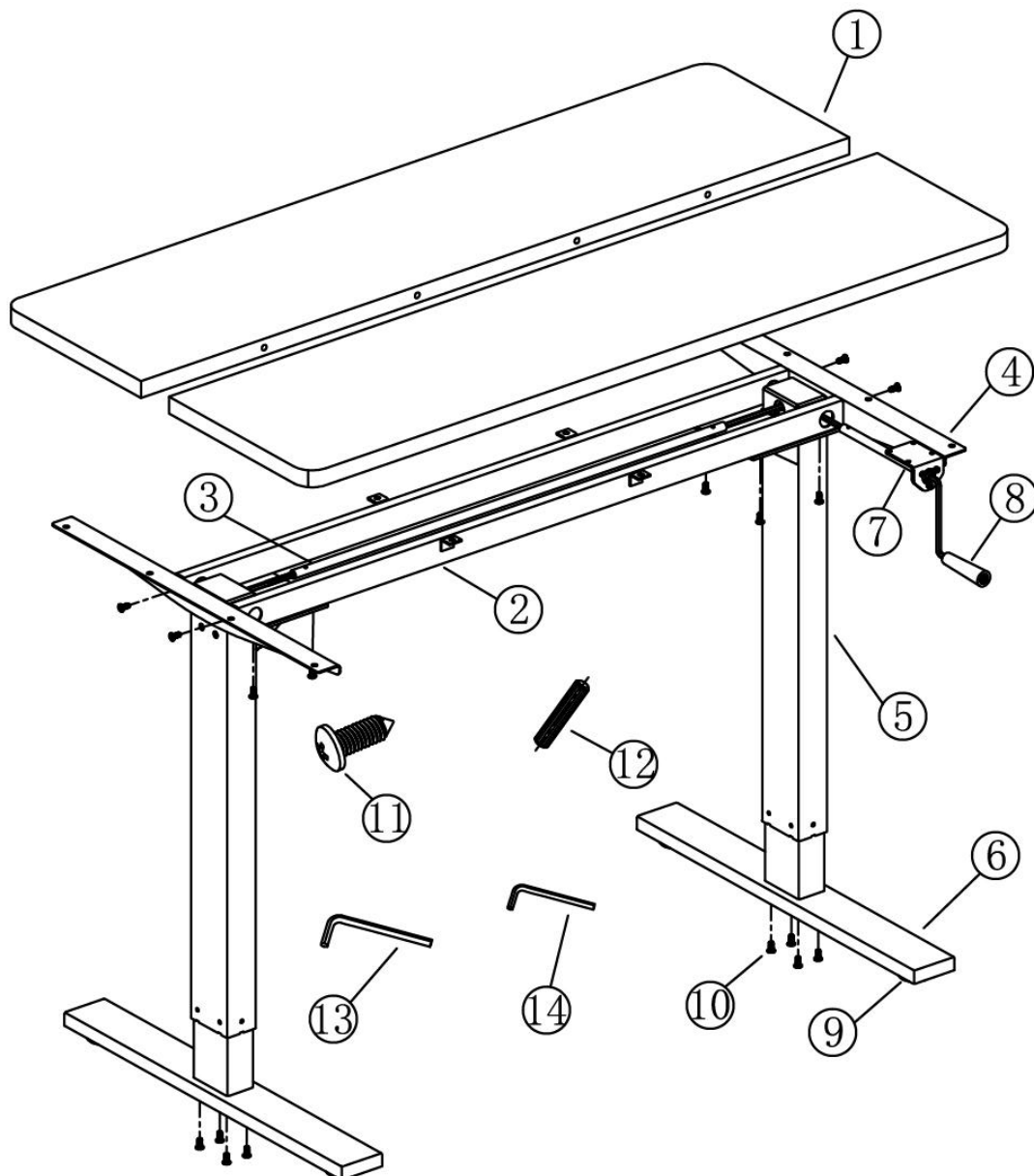
WWW.rifeindia.com

Tel : 9899250704

ASSEMBLY & USE INSTRUCTIONS

Parts List

Part	Components	Qty
1	Table board	2
2	Crossbar Rail	2
3	Connecting Link	1
4	Side Bracket	2
5	Lift Column	2
6	Foot	2
7	Handle Connecting	1
8	Handle	1
9	Leveling Feet	4
10	Machine Screws: M6*12	20
11	Wood Screws: ST5*16	16
12	Wooden pin	4
13	4mm Allen Key	1
14	2.5mm Allen Key	1



STEP 1

Lay out all components and hardware to ensure that you have all components and hardware listed on the parts page .

STEP 2

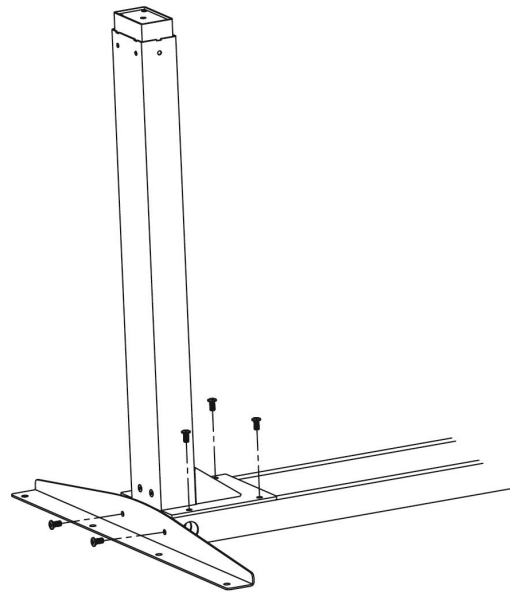
Position two Crossbar rails (#2) on its side.

Place one Lift column (#5) on the Crossbar rails.. Line up the holes on the Lift column with the holes on each Crossbar rails.

Insert four M6 x 12 screws (#10) and tighten them.

Position one Side bracket (#4) on the leg side as shown .

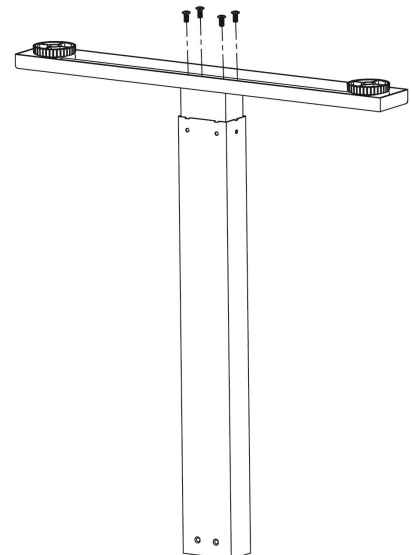
Insert two M6x12 screws (#10) and tighten the screws.



STEP 3

Attach a Foot (#6) with four M6x12 Machine Screws (#10) and tighten screws in a cross pattern.

Position two Leveling feet (#9) on the foot and tighten them.



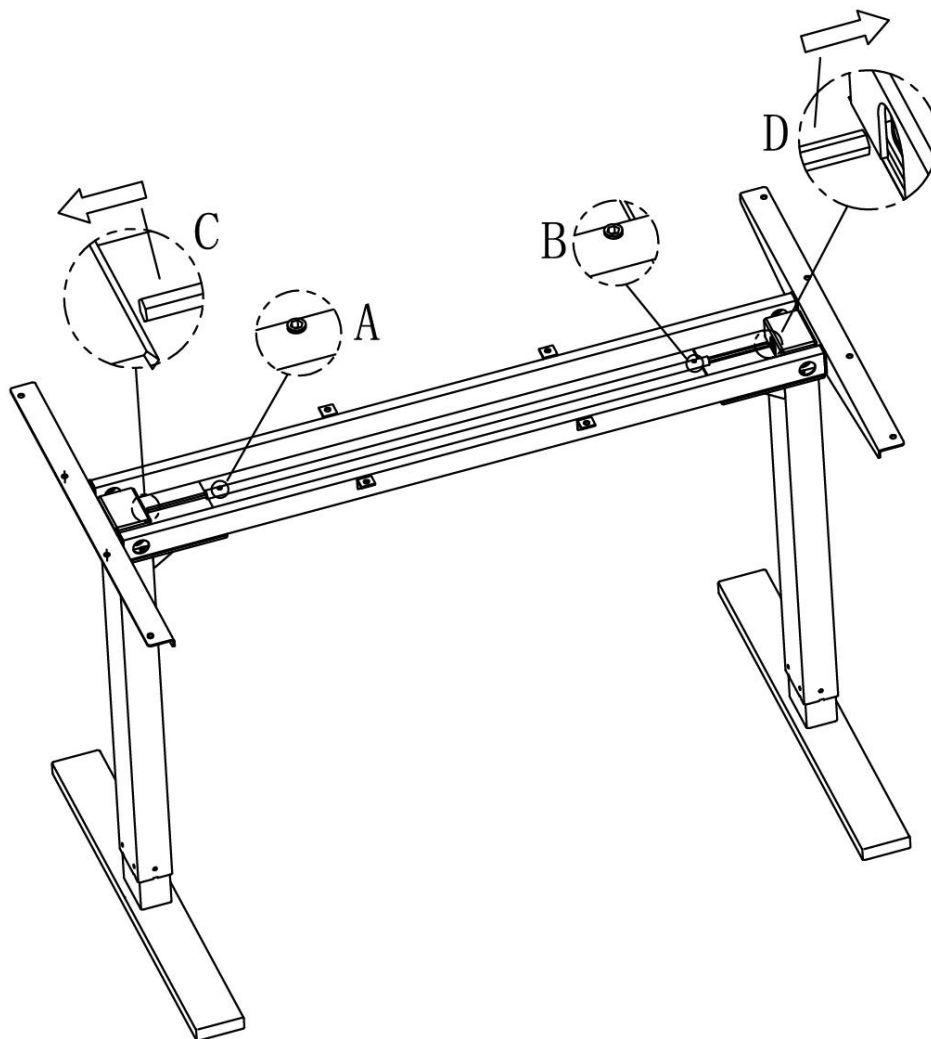
STEP 4

Position the Connecting link (#7) in the middle of the desk base, adjust its length and tighten the screws on the Connecting link.

Slightly loosen the screws at A and B with the 2.5mm Allen key (#14) (do not remove the screws)

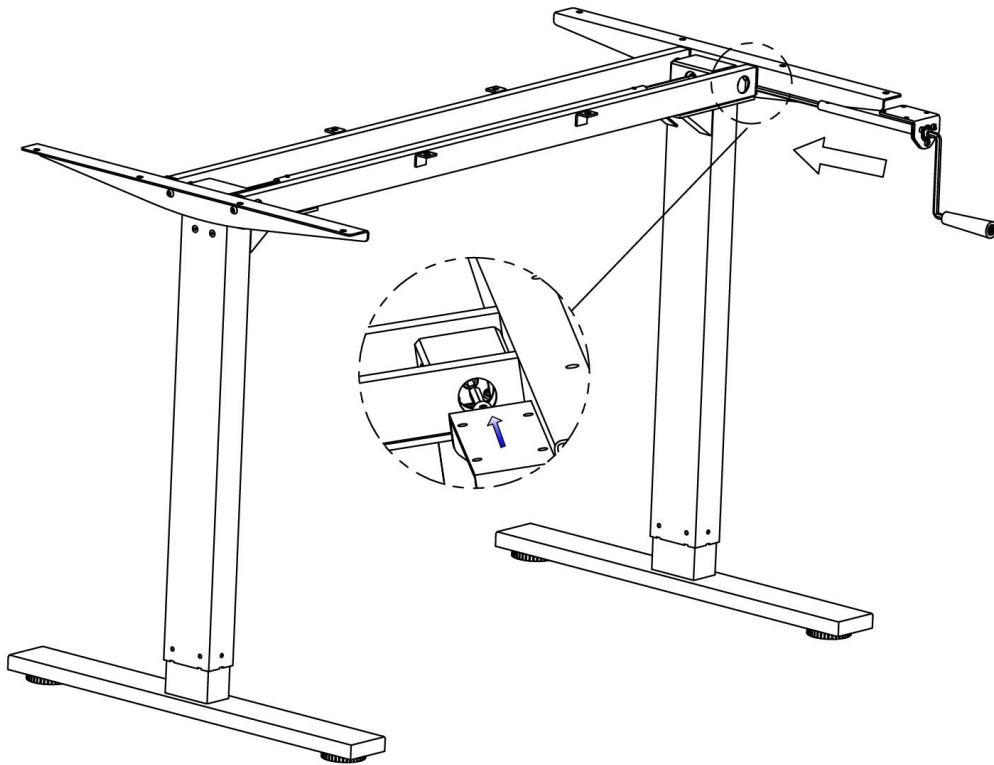
Before inserting the Hex Drive Shaft into the left column make sure that both lift columns are sitting flat on the ground and are the same height. If they are not sitting flat and even at the same height the frame will lift uneven.

Slide the HEX bar out from the link and insert it into the right side lifting column C and D.



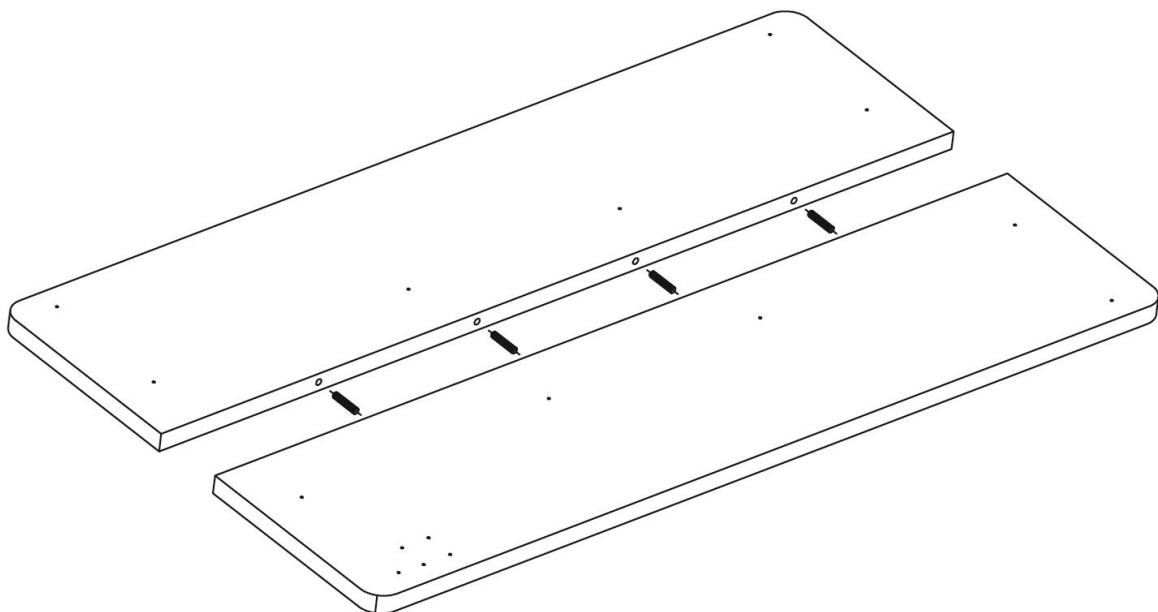
STEP 5

Position the Handle Connecting(#7) and Handle (#8) as shown.



STEP 6

Connect the table board(#1) with four wooden pins(#12) as shown.



STEP 7

Confirm the desk frame is properly positioned on the underside of the table board .

Attach the desk frame to the underside of the table board by using twelve ST5x16 wood screws (#11).

Adjust the length of the Handle connecting (#7) as per desktop length, tighten the screw on the Handle connecting .

Attach the Handle connecting (#7) to the underside of the desktop as shown by using four ST5x16 wood screws (#11).

