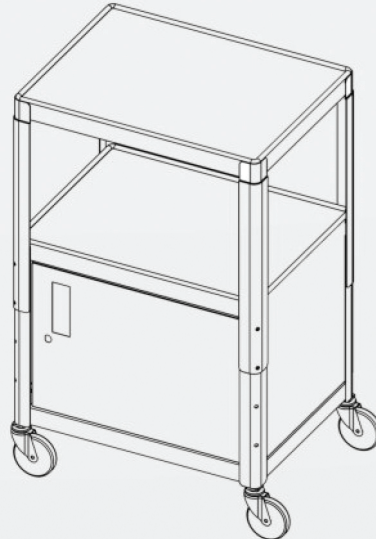
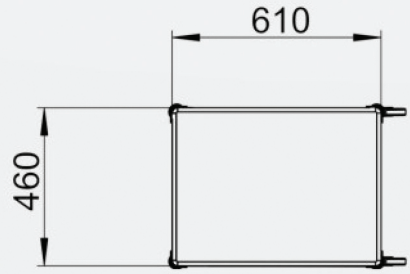
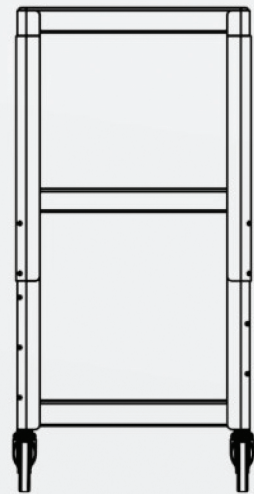
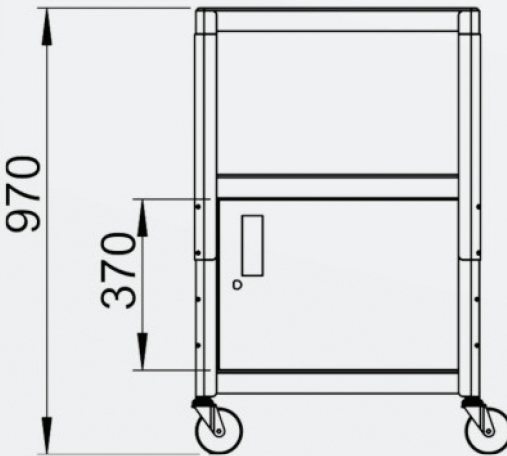


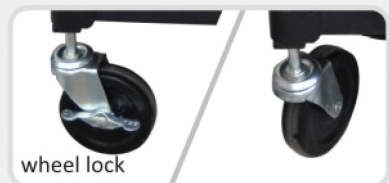


Dark Black Metal Construction desktop finish with black powder coat painted.
 Cabinet also available.
 Polyethylene shelves will not scratch, dent, rust or stain
 Built in cord wrap
 24"W x 18"D x 34"H
 400 lb. weight capacity
 Easy assembly
 Color: Black

C 44



Wire Management in C44



Rolls on 4" casters
(2 with locking brakes)

Contact us