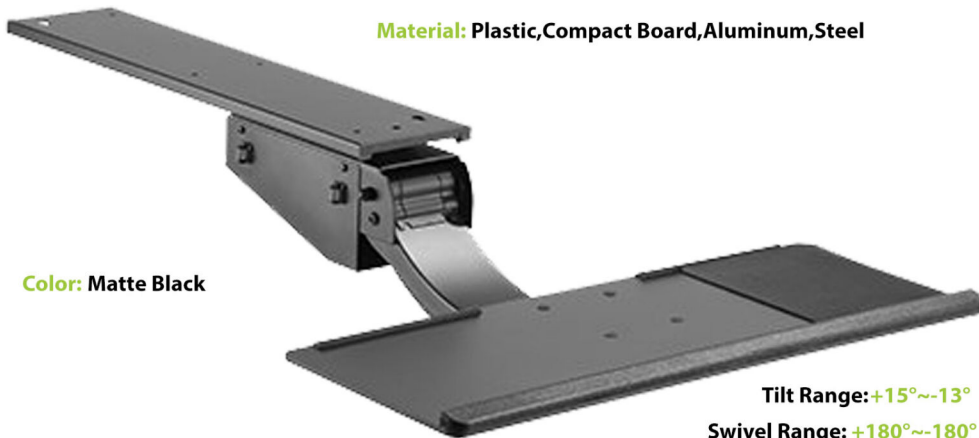


Under Desk Track Mounted Keyboard Tray



Work Sitting or Standing The following keyboard tray systems all utilize the articulating mechanism. With the specially designed arm bracket of the Sit-to-Stand Keyboard Tray may be positioned at either a SEATED height or a STANDING height. In addition, this mechanism requires only the simple action of lifting the front of the keyboard tray, adjusting to the desired height, then releasing the tray to lock it in place. It's easy enough to operate with one hand! Now you can customize your Sit-to-Stand Keyboard Tray System by selecting the Keyboard tray that best fits you.



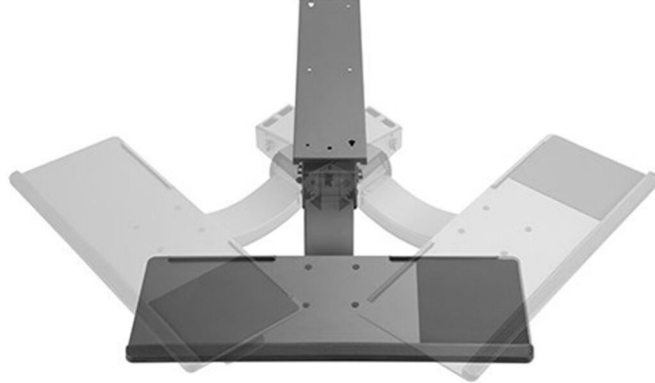
An adjustable **keyboard tray** can offer you comfort on wrists, arms and shoulders

Neat and tidy cable management design make your cable connections **easy** and **trouble free**



Easy-Glide Sliding Mechanism: for greater accessibility

Designed to exactly conform
different ways of placing
keyboard



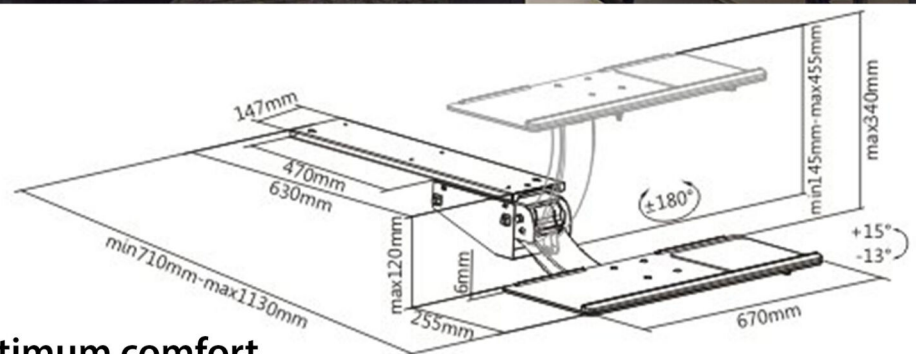
Easy-Glide Sliding
Mechanism: for **greater**
accessibility





AKT07

Dimensions



Features

1. **Tilting Platform:** allows for optimum comfort.
2. **360 Degree Swivel Functionality:** for easy maneuvering
3. **Pneumatic Spring Mechanism:** allows for effortless adjustment.
4. **Squeeze Lever:** makes the adjustment easy.
5. **Easy-Glide Sliding Mechanism:** for greater accessibility.
6. **Wrist Support:** reduces the wrist fatigue of long-time working and enhances the typing comfort.
7. **Track Mounted Design:** easily hides the keyboard tray under desk.

Contact us