

Height of your keyboard makes a big difference in how your arms feel at the end of the long workday.

Elevate, tilt, swivel keyboard to the perfect position for you with our keyboard trays.



ADJUSTABLE KEYBOARD TRAYS



Easily adjust your keyboard and mouse to your correct ergonomic position. Raise keyboards to any height from 2 3/8 inch above " below your desk-level and 3 5/8 inch below desk level.

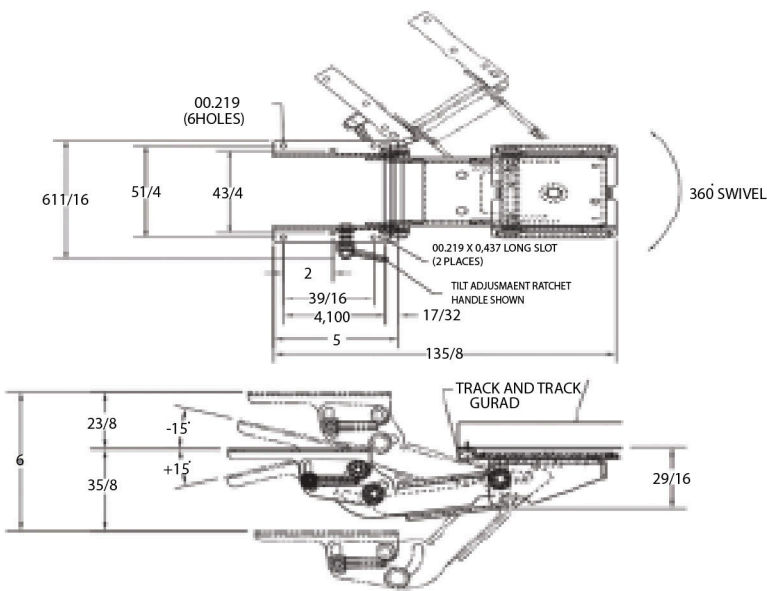
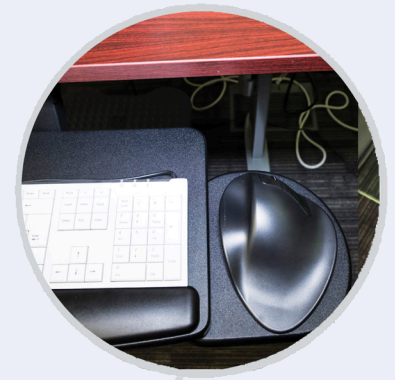
People get height adjustable keyboard trays because their desk top is too high to be comfortable when keying, and the height adjustable tray allows them to get the keyboard down to a comfortable level, alleviating "elevated shoulders and other awkward postures, which increases the risk for discomfort, fatigue and injury.



About Product

Enjoy the ergonomic comfort that this keyboard mechanism will give you. When you tilt your keyboard you will notice how relaxed your wrist will feel. This value price mechanism is ideal for home and office. This classic style, knob adjusted, ergonomic keyboard mechanism will make a positive difference in the comfort of your workstation. With almost 6 inches of vertical height adjustment along with 360 degrees of swivel this keyboard mechanism offers the options you're looking for at a price you can afford.

AKT03



Specifications

- ➔ Single knob sets both height & tilt of keyboard tray.
- ➔ 17-3/4" standard length of track supplied.
- ➔ Slim profile maximizes knee clearance when in use or retracted.
- ➔ Meets BIFMA x 5.5-1998 Standards.
- ➔ Tear drop shaped mouse area is approximately 7-1/2" x 8-1/2" mouse surface.
- ➔ CARB-P2 Compliant.
- ➔ 2-1/4" end of track to rear of keyboard tray distance.
- ➔ 5-3/4" height adjustment, spring assistance.
- ➔ Keyboard tilt adjustment range +/- 15°.
- ➔ Keyboard tray and mouse platform are made from MDF and covered with black textured PVC material.
- ➔ Keyboard tray measures 20" x 11" (510mm x 280mm).
- ➔ Mouse tray includes swivel only function.
- ➔ 360° rear swivel.

Model

➔ AKT01

➔ AKT03