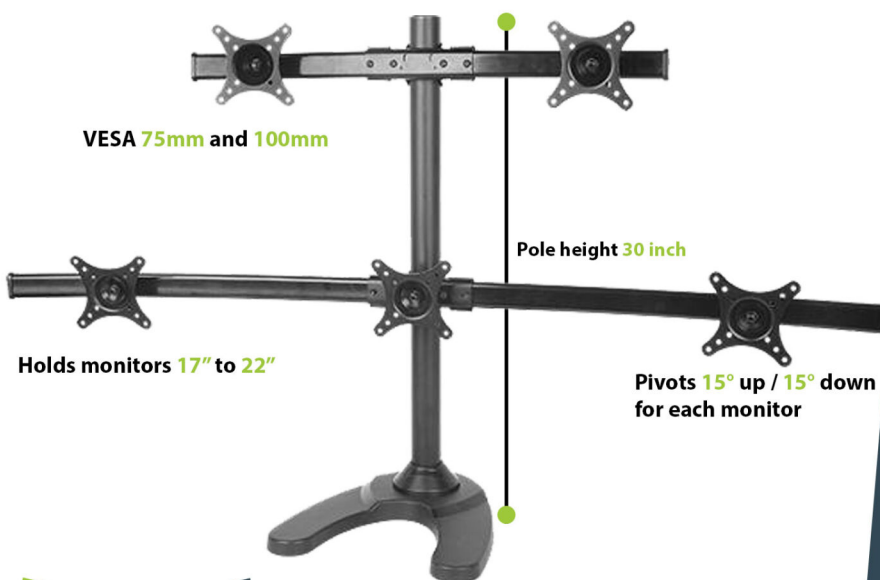




Five Monitor Stand

Color: Black

Finish: Powder Coating



Material: Steel & Aluminum

Base Type: Solid metal with V-shape plastic cover

Multiple monitor stand or multiple display stand, is the best solution when you want to show more information on 5 monitor. This Multiple Monitor stand is Affordable, easy to adjust in height and viewing angles for proper ergonomic posture. Easily manage all five monitors with arm adjustment and with rotation of all monitors screens. this multiple display stand is created especially for delivering optimum viewing pleasure.



Build in ability for independent adjustment of each screen for proper ergonomic viewing posture and alignment and as well smooth, fingertip tilt in all directions

The space between the monitors are fully adjustable. and The height adjustment of arms is continuous along the pole



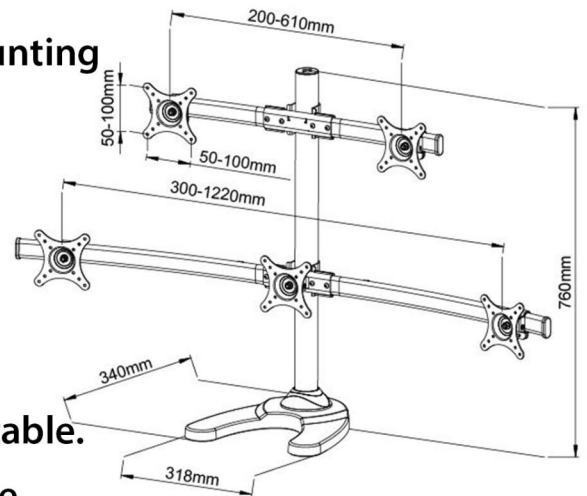
Holds monitors 17" to 22", 75mm and 100mm VESA compatible



Multiple monitors on single base frees up valuable desk workspace

Features

1. **Pivots & mounts provides mounting and dismounting**
2. **Quick set up and installation.**
3. **75mm and 100mm VESA compatible.**
4. **Pivots 15° up / 15° down for each monitor.**
5. **Holds monitors 17" to 22".**
6. **Pole height 30 inch.**
7. **The space between the monitors are fully adjustable.**
8. **Monitors can adjust in height, tilt, swivel & rotate.**
9. **Arm is height adjustable.**
10. **The height adjustment of arms is continuous along the pole. Just slide the clamp along the pole and adjust using the Allen wrench provided.**
11. **Each mount can be tilted left, right, up & down. You can also rotate each monitor from portrait to landscape on the fly.**



Contact us



India: Rife Technologies, 362, Vardhaman Plaza - II, J Block Community Center. Rajouri Garden, Delhi - 110027, India
E-mail: sales@rifeindia.com, Website: www.lcdtvstandsindia.com, www.rifeindia.com, Tel:+91-9899250704

Hongkong: Ergonomic Corporation Hongkong Limited, 1102, 11th floor, 33 hysen Avenue, Lee Garden one, Causeway Bay, Hongkong
E-mail: sales@ergoshopping.com, Website: www.ergoshopping.com, Tel: 852-98226451