



Quad Monitor Stand

4MSFP



Description

We provide a Multiple monitor stand (Premium Quality with long adjustable arm) with 2 monitor or dual display ability with freestanding and horizontal display solution. This LCD Monitor stand is an ergonomic Workstation that help to maximize the desk space and reduce the back pain and neck pain. Long arm will help you to pull the monitor more near. The Dual Monitor Stand is a family of elegant aluminum LCD VESA desk mounts for 13"-27" monitors. It can support two monitors in horizontal line and the weight capability for each one is 8 kgs /17.6 lbs. It can rotate for 360°, which allows portrait and landscape viewing.



Our monitor arm is easily adjustable, allowing you to work in a more comfortable, ergonomically correct position to reduce neck and eye strain. The contemporary design will surely assimilate into nearly any environment, it is ideal for homes, dorms, schools, businesses, offices, IT networks, manufacturing plants, etc

Each monitor can tilt up 15 degrees or down 15 degrees. with -15 ~ +15 degree Swing. You don't need to bend yourself at your workstation anymore, effectively reducing the pain on your neck and back and making you productive



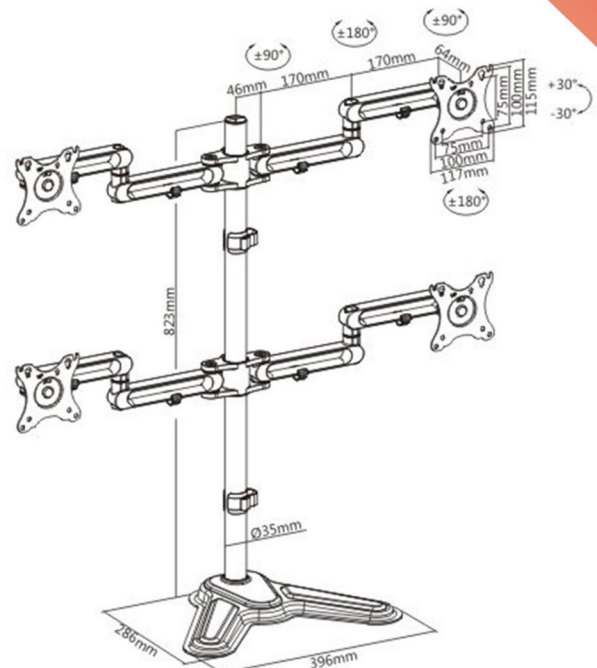
A simple cable management clip snaps onto the centre pole keeping AV and power cords clean and organized. Cable clips keep potentially messy cords organized and out of the way for a clean appearance.

Combines Value and Versatility
into a single product solution

Specifications

1. Dimensions: 886x286x823mm (34.9"x11.3"x32.4").
2. Fit Screen Size: 17"-32"
3. VESA Compatible: 75x75,100x100
4. Tilt Range: +30°~-30°
5. Swivel Range: +90°~-90°
6. Screen Rotation: +180°~-180°
7. Arm Full Extension: 386mm (15.2")
8. Pole Height: 823mm (32.4")
9. Material: Steel,Aluminum
10. Surface Finish: Powder Coating
11. Weight Capacity (per screen): 8kg (17.6lbs)

Dimensions



Contact us



India: Rife Technologies, 362, Vardhaman Plaza - II, J Block Community Center. Rajouri Garden, Delhi - 110027, India
E-mail: sales@rifeindia.com, Website: www.lcdtvstandsindia.com, www.rifeindia.com, Tel: +91-9899250704

Hongkong: Ergonomic Corporation Hongkong Limited, 1102, 11th floor, 33 hysen Avenue, Lee Garden one, Causeway Bay, Hongkong
E-mail: sales@ergoshopping.com, Website: www.ergoshopping.com, Tel: 852-98226451