

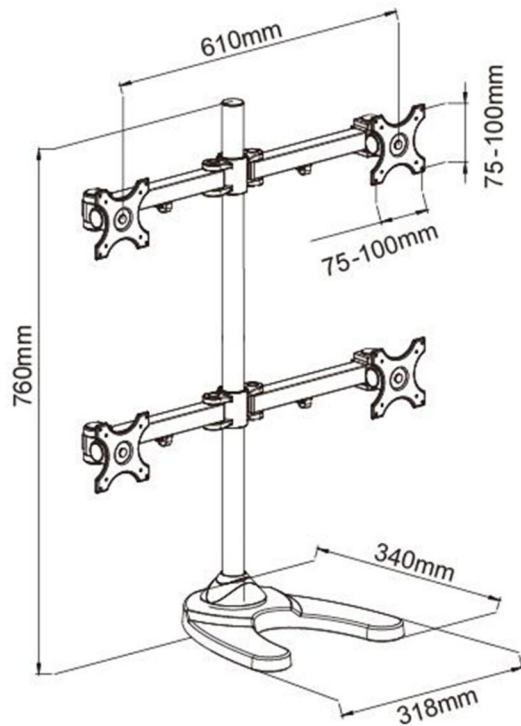


Freestanding Desk Mount for Quad Monitors

4MSFB 2.0



Dimensions



Features

- 1 Place the monitors on the desktop freely with weighted base.
- 2 Wide selection for different monitor quantity to meet most applications.
- 3 With fully adjustable construction, you can tilt, swivel and rotate the monitors for maximum viewing flexibility.
- 4 Solid aluminum and heavy gauge steel construction for stable installation.



Contact us