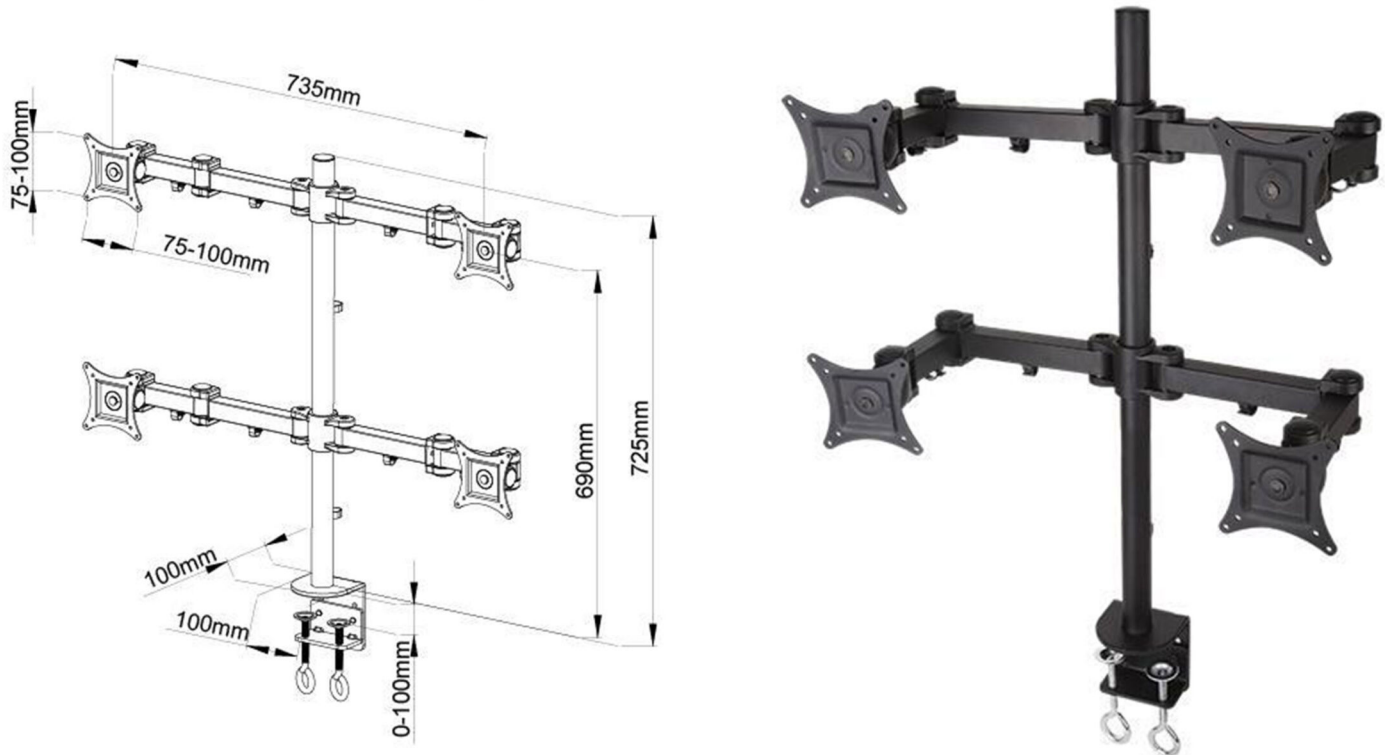




4MS-CTB

Four arms are height adjustable on the vertical pole. Each monitor can tilt up 85 degrees or down 15 degrees, swivel 360 degrees and rotate 360 degrees. Rotating the monitor holders allows landscape or portrait positioning.

## Dimension



## Features

- 1 Heavy-duty design supports up to 8 kg per monitor. C clamp base has integrated double lock that ensures stable mounting onto the desks. This multi-monitor stand can be mounted on tables up to 4 inches thick. Arms come with clips for cable management.
- 2 Innovative desktop PC monitor desk riser that mounts Samsung, Acer, Viewsonic, LG, Dell, HP, Asus, AOC flat panel LCD and LED displays from 10" to 27" (15, 19, 20, 23, 24, 27 inch monitors). Compatible with VESA 75 x 75 mm and VESA 100 x 100mm.
- 3 Monitor can tilt up 85 degrees or down 15 degrees, swivel 360 degrees and rotate 360 degrees.
- 4 Articulating and Height Adjustable. Depending on the user and desk height, this mounting bracket can be used for standing desk applications. The height adjustable pole is 27.9 inches tall to accommodate a huge span of potential heights.



## Contact us



**India:** Rife technologies, 362, Vardhaman Plaza - II, J Block Community Center, Rajouri Garden, Delhi - 110027, India  
E-mail: sales@rifeindia.com, Website: www.lcdtvstandsindia.com, www.rifeindia.com, Tel:+91-9899250704

**Hongkong:** Ergonomic Corporation Hongkong Limited, 1102, 11th floor, 33 hysen Avenue, Lee Garden one, Causeway Bay, Hongkong  
E-mail: sales@ergoshopping.com, Website: www.ergoshopping.com, Tel: 852-98226451