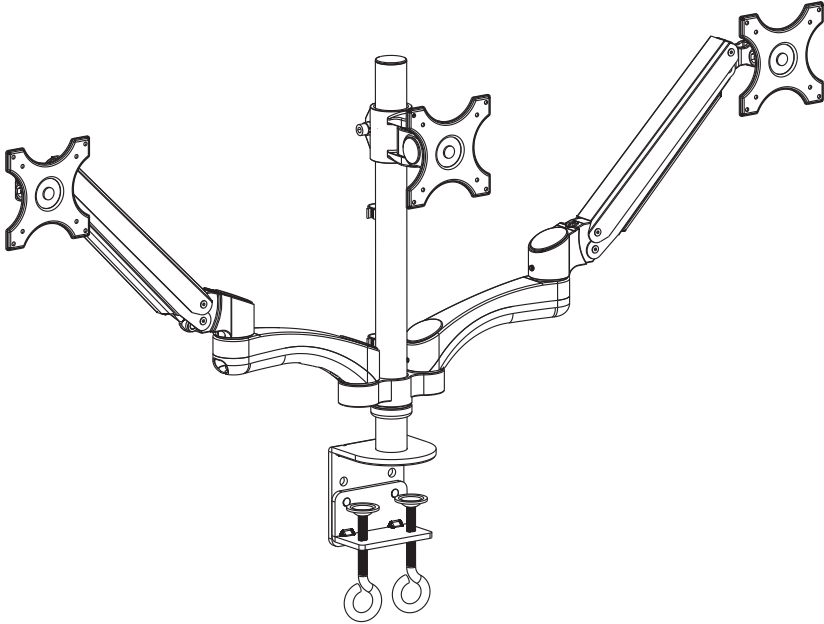


Installation Instruction



UNPACKING INSTRUCTIONS

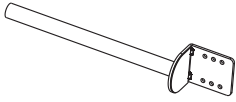
- Carefully open the carton, remove contents and lay out on cardboard or other protective surface to avoid damage.
- Check package contents against the Supplied Parts List in the next page to assure that all components were received undamaged. Do not use damaged or defective parts.
- Carefully read all instructions before attempting installation.

IMPORTANT SAFETY INFORMATION

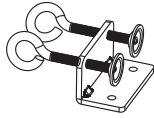
- Install and operate this device with care. Please read this instruction before installation, and carefully follow all instructions contained herein. Use proper safety equipment during installation.
- Please call a qualified installation contractor for help if you don't understand these directions or have any doubts about the safety of the installation.

Do not use this product for any purpose or in any configuration not explicitly specified in this instruction. We hereby disclaims any and all liability for injury or damage arising from incorrect assembly, incorrect mounting, or incorrect use of this product.

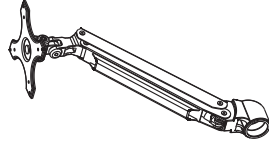
Supplied Parts List



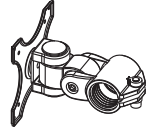
(1) 35mm Tube Support-a



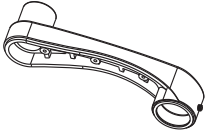
(1) Disconnected "C" Clamp-b



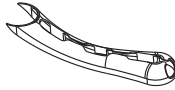
(2) VESA Plate with Gas Spring Arm-c1



(1) Center VESA Plate-c2



(2) Add-on Arm-d



(2) Wire Cover-e



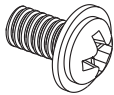
(4) Axis Cover-f



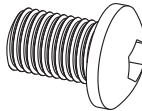
(1) Stopper Ring-g



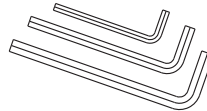
(6) M4x6 Bolt-h



(4) M6x12 Bolt-i



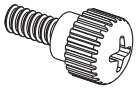
(2) M10x15 Bolt-j



(1) Allen Key-k



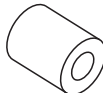
(1) Wrench-l



(12) M4x12 Thumb Bolt-m



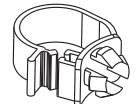
(12) M4x30 Bolt-n



(12) M4 Space-o



(1) Arm Connector-p



(2) Wire Clip-q

Tools Required

Phillips Screwdriver



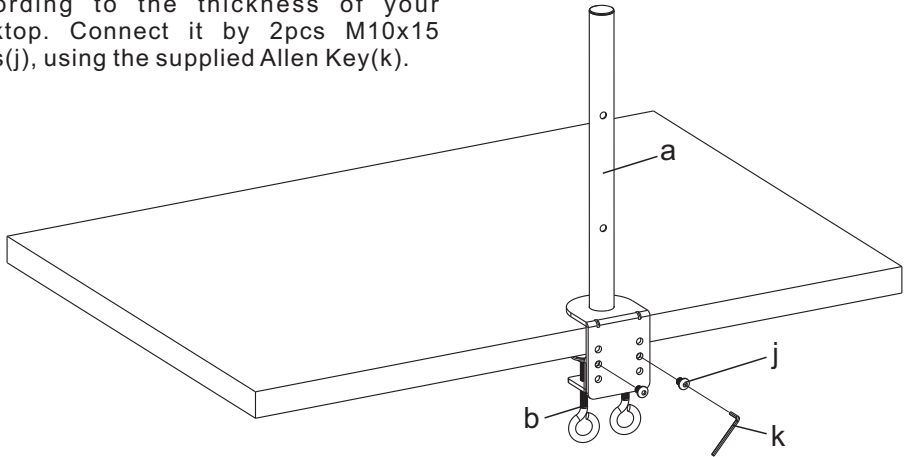
WARNING

CAUTION!

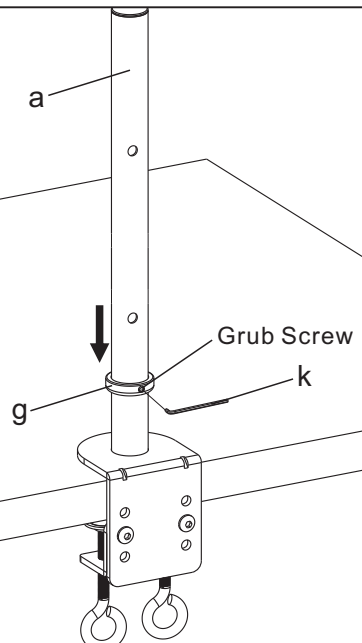
This monitor desktop mount must be securely attached to the horizontal desk. If the mount is not properly installed it may fall, resulting in possible injury and/or damage.

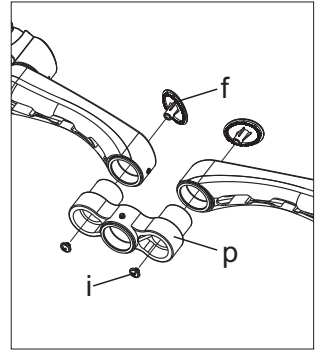
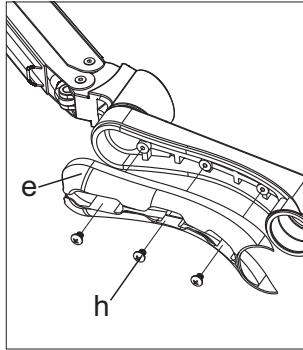
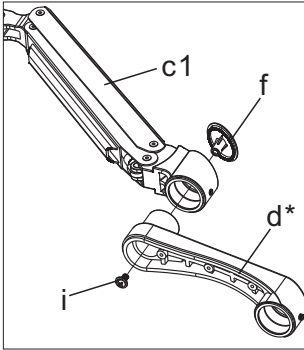
Step 1**Install the “C” Clamp According to the Desktop Thickness**

The depth of “C” clamp can be changed in three positions. Choose the proper depth according to the thickness of your desktop. Connect it by 2 pcs M10x15 bolts(j), using the supplied Allen Key(k).

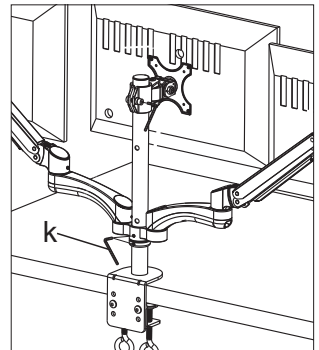
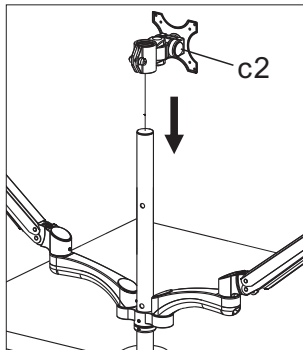
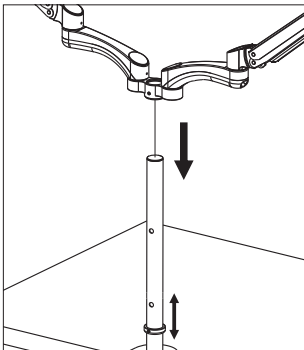
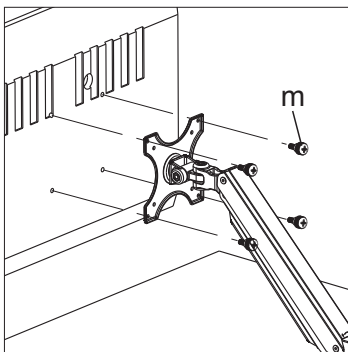
**Step 2****Install Stopper Ring to the Tube Support**

Install Stopper Ring(g) to the Tube Support(a), fasten the grub screw by supplied Allen Key(k).

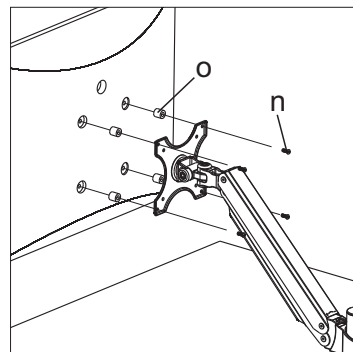


Step 3**Assemble Two Arms and Wire Cover**

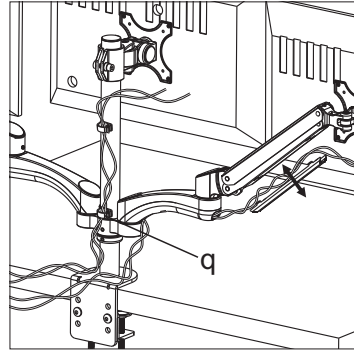
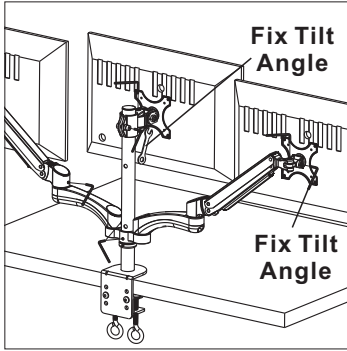
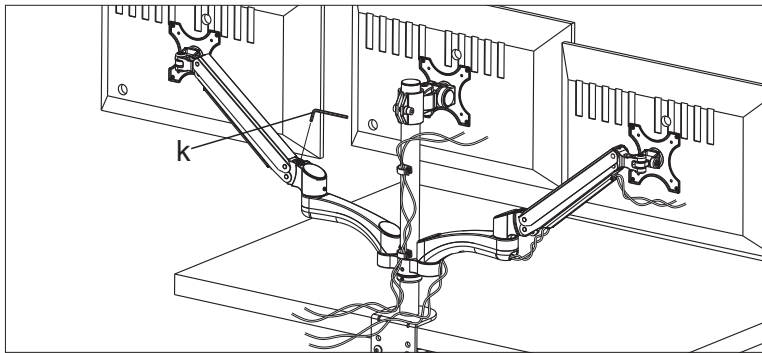
*The Add-on Arm(d) can be removed as another option if you use stand for the smaller screens on a desk that is against a wall.

Step 4**Install Arm and Center VESA Plate to the Tube Support****Step 5****Mount the Monitor to VESA Plate**

For Flat Back Monitor



For Curved Back Monitor

Step 6**Make Necessary Adjustments, and Run Cables****Step 7****Adjust the Torque of Gas Spring**

Adjust the torque of gas spring according to the weight of your monitor. If your monitor can not stay in the lower position, turn the grub screw clockwise(-). If your monitor can not stay in the higher position, turn the grub screw counterclockwise(+). Keep turning until monitor position can be raised and lowered easily.

Thank you for choosing our products!