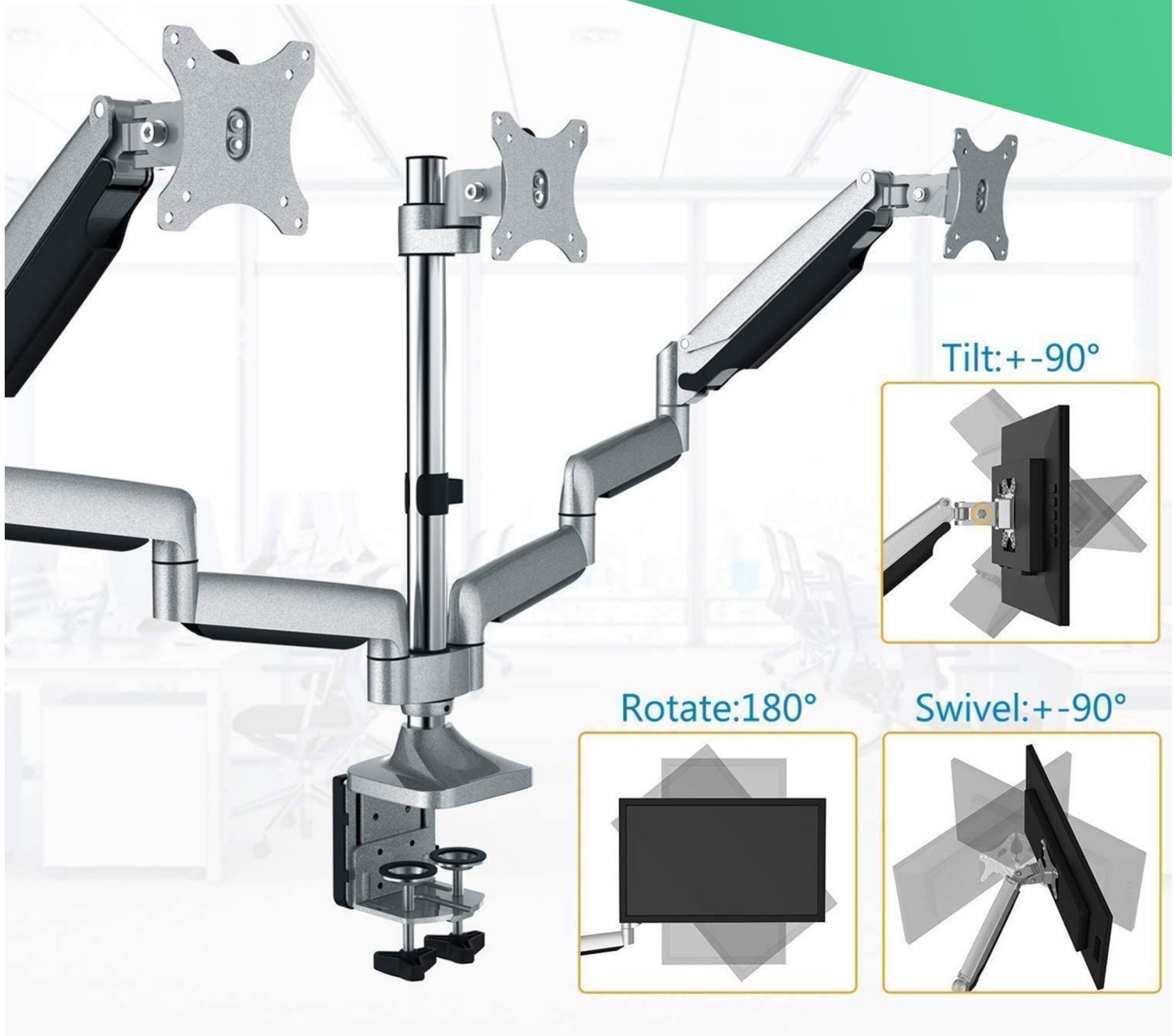




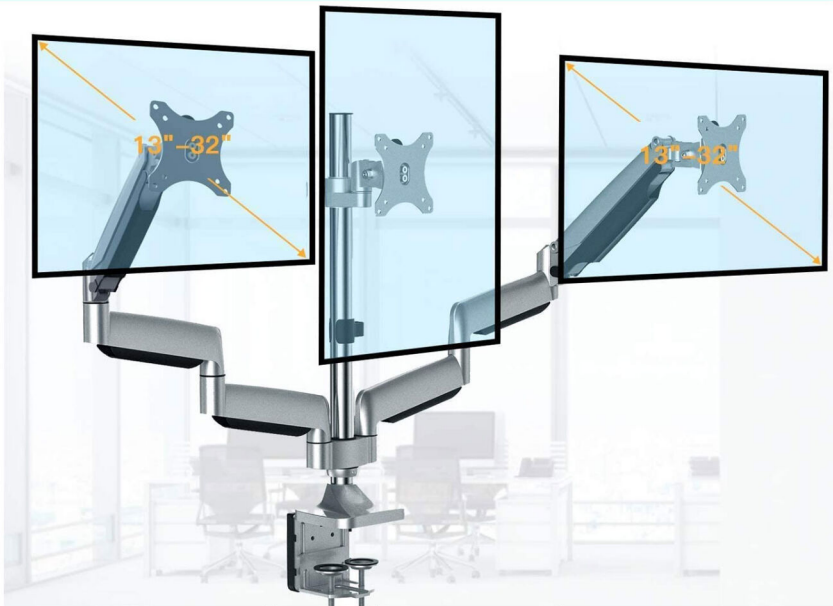
# Triple Monitor Stand

## 3MSGS



## Descriptions

Create an efficient work style with triple screens and get rid of neck, shoulder and back pain with Rife triple monitor mount! The sturdy construction securely hold 3 monitors up to 32". The gas spring system allows you freely set your monitors to desired height; the full motion adjustments help find optimal angle to work with more comfort. Say goodbye to neck, back, and shoulder pain with this monitor mount. Quickly tilt, swivel, and rotate your screens as needed while you work.



## UNIVERSAL MOUNT

Fits 3 displays up to 32 inches, using the 75x75mm or 100x100mm VESA square bolt hole pattern found on the back of the monitors.



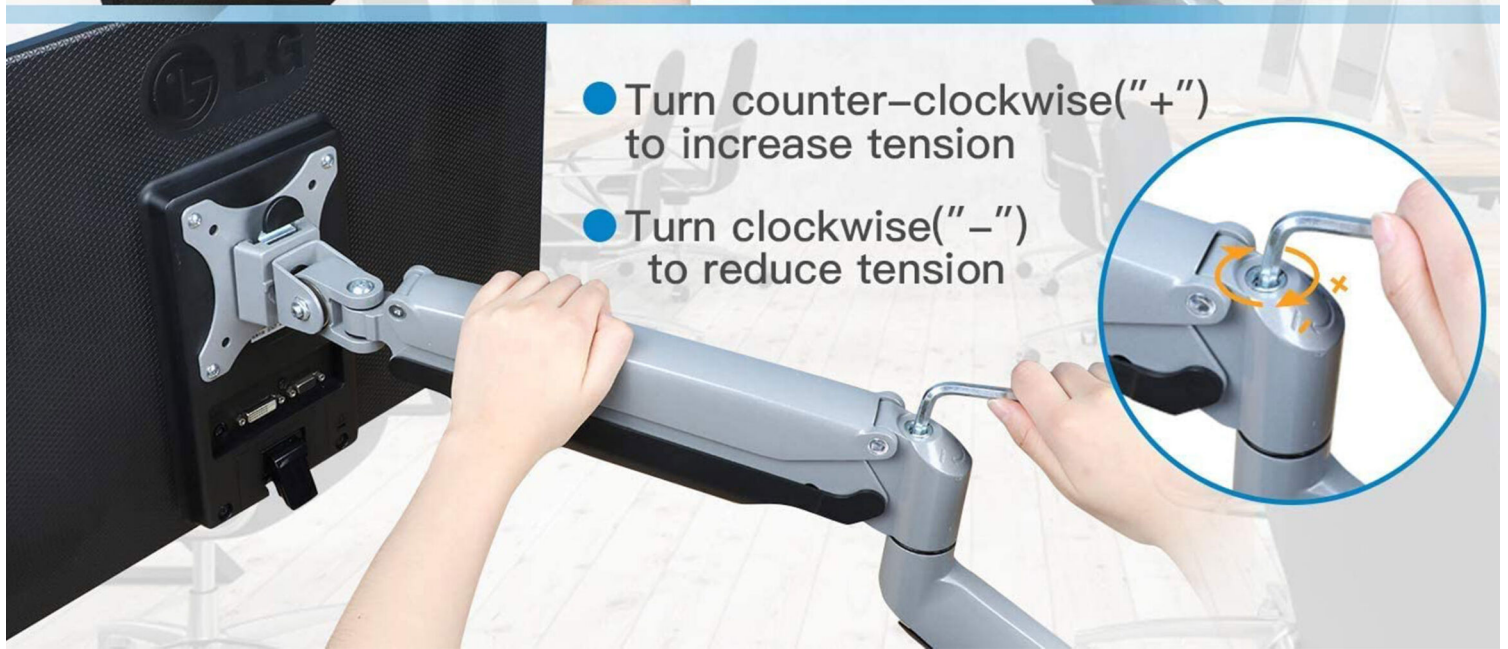
0-17.6lbs X3



Fit Screen Size:  
13"-32"

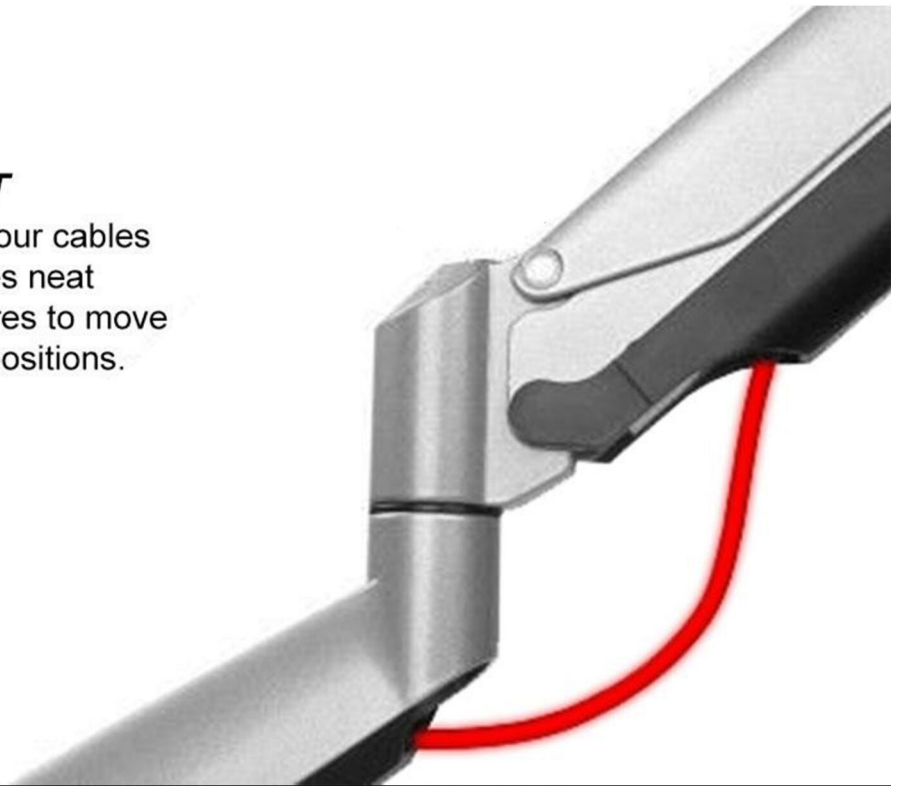


Compatible:  
75x75/100x100



## CABLE MANAGEMENT

The hidden cable clips store your cables in the clips and keep the cables neat and organized allowing the wires to move freely while changing screen positions.



## 2 MOUNTING OPTIONS

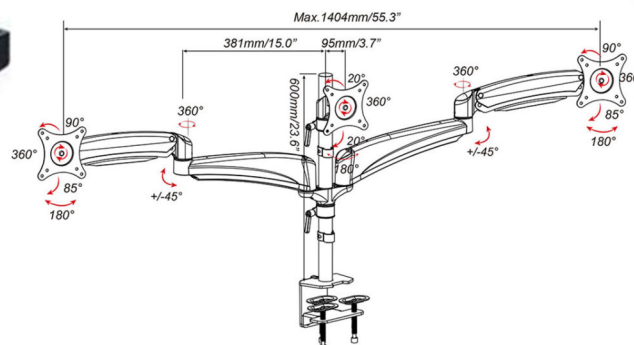
### C-CLAMP



### GROMMET



Comes with both C clamp and grommet mounting base. The sturdy and weighted base increases stability.



### Contact us



**India:** Rife Technologies, 362, Vardhaman Plaza - II, J Block Community Center, Rajouri Garden, Delhi - 110027, India  
E-mail: sales@rifeindia.com, Website: www.lcdtvstandsindia.com, www.rifeindia.com, Tel: +91-9899250704

**Hongkong:** Ergonomic Corporation Hongkong Limited, 1102, 11th floor, 33 hysen Avenue, Lee Garden one, Causeway Bay, Hongkong  
E-mail: sales@ergoshopping.com, Website: www.ergoshopping.com, Tel: 852-98226451