



nqlsl



3MSFHW-T

Aluminum Full Motion Articulated Triple Monitor Stand

Clear up valuable workspace on your desk with this heavy-duty three monitor stand. Constructed of high-grade steel, this mount was built to resist scratches and supports three LCD screens up to 13.2 pounds and 24" in size each. Tighten or loosen each joint to make your stand as fluid or stationary as desired. Monitors can be rotated to landscape and portrait positions. More features built into include an integrated cable management system to hide power and video cables.

Specifications:-

- Dimensions: 1264W x 292D x 400Hmm (49.7" x 11.5" x 15.7")
- Fit Screen Size: 13"-24"
- VESA Compatible: 75x75,100x100
- Arm Extension: 24.2 ~ 126.4cm (9.5" ~ 49.7 inches)
- Pole Height: 40cm (15.7")
- Weight Capacity (per screen): 6kg (13.2lbs)
- Material: Aluminum Alloy
- Color: Black



Strong & Sturdy Base

A heavy-duty base keeps your monitors safe and secure with an 18.7" x 11.4" steel base for excellent stability. Rated to support monitors up to 24" in size and 13.2 pounds in weight for each plate



ERGONOMIC BENEFITS

The versatility of this stand is an asset for anyone looking for a functional, dynamic, and adjustable PC monitor stand .. Ideal for homes, surveillance teams, shops, schools, bedrooms, production lines, businesses, events, production plants, offices, etc.

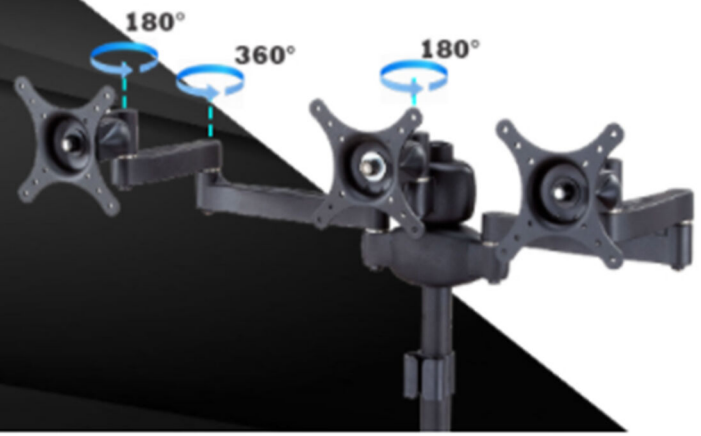
- Adjust your monitors to promote a healthier posture
- Reduce strain by setting your monitors at the ideal height and angle



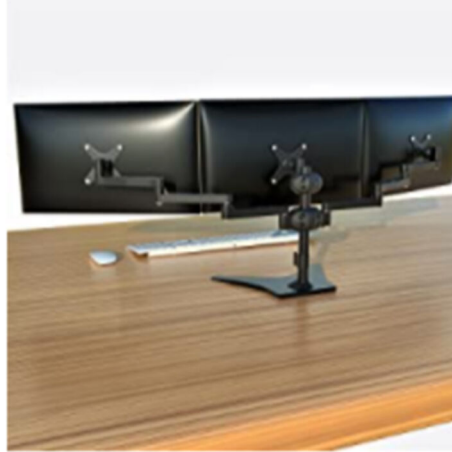
ERGONOMICALLY DESIGN

Full arm movement is capable of multiple points of movement in to accommodate a lifestyle change or modification.

Height can be adjusted to your preferred elevation; Ergonomically designed to reduce strain and improve productivity; Suitable for long working hours



Key Features



INCREASE PRODUCTIVITY

This sleek monitor desktop stand raises two displays off the desk surface, thus saving workspace and creating a productive display configuration to increase productivity.

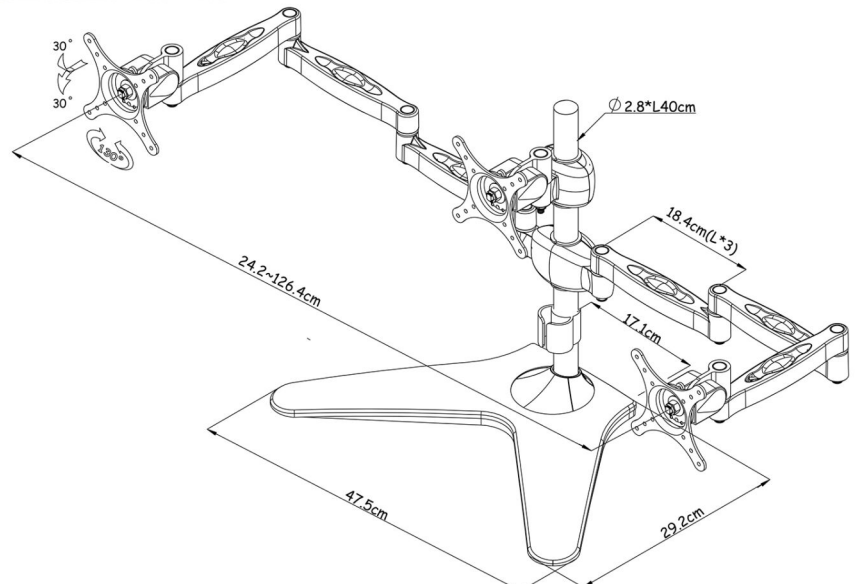
SPACE SAVER

Each monitor can tilt up 15 degrees or down 15 degrees. with -15° ~ $+15^{\circ}$ degree Swing. You don't need to bend yourself at your workstation anymore, effectively reducing the pain on your neck and back and making you productive.

CABLE MANAGEMENT

A simple cable management clip snaps onto the center pole keeping AV and power cords clean and organized. Cable clips keep potentially messy cords organized and out of the way for a clean appearance.

- Tilt Range: $+30^{\circ}$ ~ -30°
- Swivel Range: $+90^{\circ}$ ~ -90°
- Screen Rotation: $+180^{\circ}$ ~ -180°



Dimension

Contact us



India: Rife Technologies, 362, Vardhaman Plaza - II, J Block Community Center, Rajouri Garden, Delhi - 110027, India
E-mail: sales@rifeindia.com, Website: www.lcdtvstandsindia.com, www.rifeindia.com, Tel: +91-9899250704

Hongkong: Ergonomic Corporation Hongkong Limited, 1102, 11th floor, 33 hysen Avenue, Lee Garden one, Causeway Bay, Hongkong
E-mail: sales@ergoshopping.com, Website: www.ergoshopping.com, Tel: 852-98226451