



## Triple Monitor Stand



### Specifications

- Suit for 3 Monitors
- Suit Size: 13-24 inch
- Load Capacity: 10 kgs (per monitor)
- Tilt: -90 to +90 degree
- Swivel: 360 degree
- Rotate: 360 degree
- Height adjustable
- Integrated cable management system - Monitor can be installed either in portrait or landscape shape - Fully adjustable steel arms

This high-quality ergonomic Triple LCD Monitor Mount Stand Free Standing - up to 28" allows users to manage multiple programs/spreadsheets simultaneously, increasing their productivity. This unique designed stand offers users complete flexibility to reposition their monitors for maximum comfort and optimum viewability. A perfect solution for limited space applications by removing clutter from the desktop, using workspace effectively and mounting LCD monitors conveniently.



**Each monitor can tilt up 15 degrees or down 15 degrees. with -15 ~ +15 degree Swing. You don't need to bend yourself at your workstation anymore, effectively reducing the pain on your neck and back and making you productive.**

**Finding the most comfortable viewing angle. The Monitor can rotate to landscape or portrait orientation and holds in place**



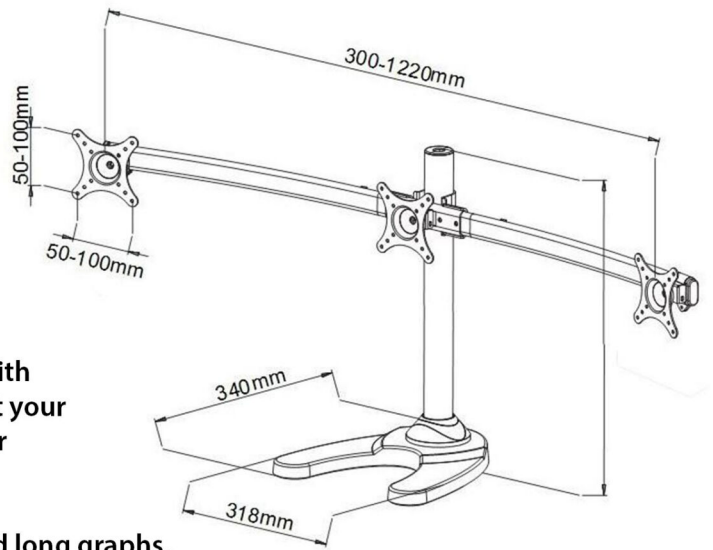
**The curved bar allows the monitors to slightly face each other to create a more immersive viewing experience - ideal for work or gaming.**





## Features

1. Finding the most comfortable viewing angle. The Monitor can rotate to landscape or portrait orientation and holds in place, this stand can easily hold your monitors stably. You can move it on your desk as you need.
2. Each monitor can tilt up 15 degrees or down 15 degrees. with -15 ~ +15 degree Swing. You don't need to bend yourself at your workstation anymore, effectively reducing the pain on your neck and back and making you productive.
3. Rotate your monitors to landscape or portrait mode to read long graphs, webpages, or articles. The curved arm design provides a focal point at your position so all monitors are equally focused on you. The arm design also allows for horizontal adjustments to alter the spacing between each monitor



## Contact us



**India:** Rife Technologies, 362, Vardhaman Plaza - II, J Block Community Center. Rajouri Garden, Delhi - 110027, India  
E-mail: sales@rifeindia.com, Website: www.lcdtvstandsindia.com, www.rifeindia.com, Tel:+91-9899250704

**Hongkong:** Ergonomic Corporation Hongkong Limited, 1102, 11th floor, 33 hysen Avenue, Lee Garden one, Causeway Bay, Hongkong  
E-mail: sales@ergoshopping.com, Website: www.ergoshopping.com, Tel: 852-98226451