

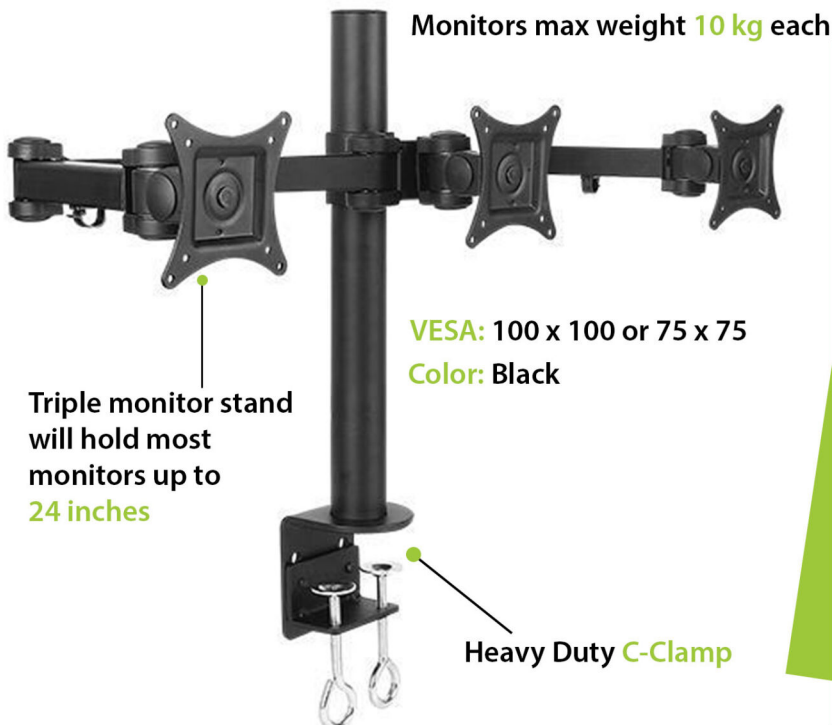


Triple Computer LCD Monitor Desk Mount

3MSCT



Heavy Duty Fully Adjustable Tilt, Swivel, Rotational Arm



Clear up valuable desk space by winning back the area that three individual monitors would require. Integrated cable management is included to keep AV and power cords clean and organized via clips along the arms and center pole.



This Triple monitor stand will hold most monitors up to **24 inches**.

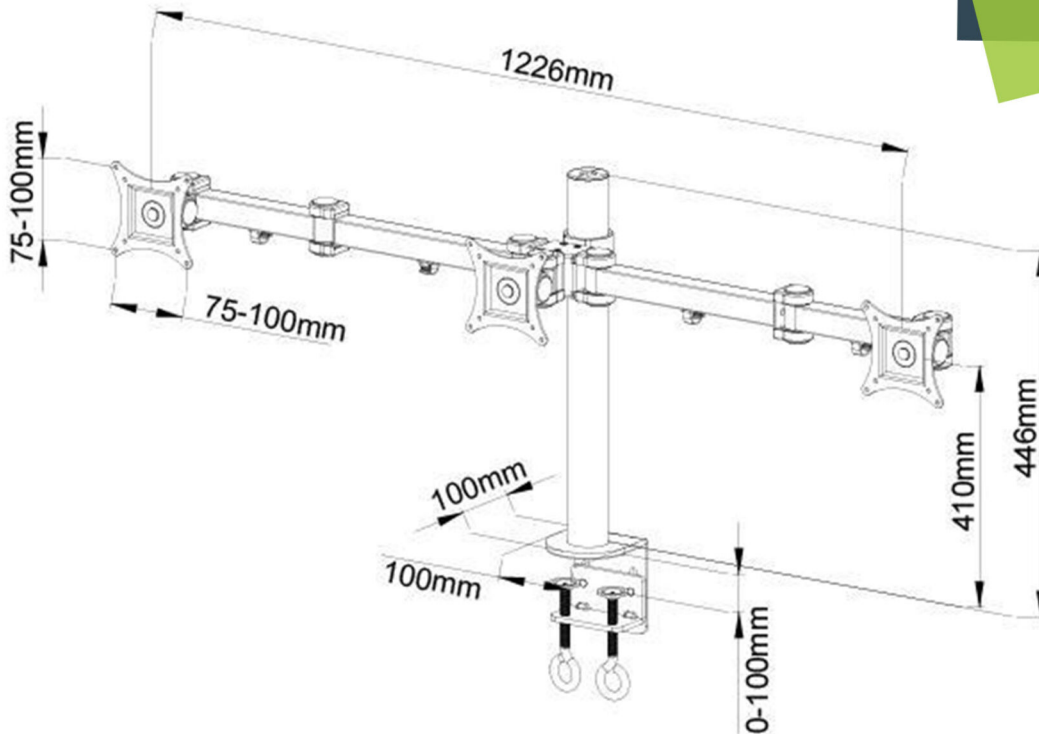
VESA: **100 x 100** or **75 x 75**mm

Integrated cable management is included to keep AV and power cords **clean** and **organized** via clips along the arms and center pole



Heavy duty **C-Clamp** secures the mount to desks up to **4"** thick

Dimensions



Features

1. **CLEAR UP VALUABLE DESK SPACE:** by winning back the area that three individual monitors would require. Integrated cable management is included to keep AV and power cords clean and organized via clips along the arms and center pole.
2. This Triple monitor stand will hold most monitors up to 24 inches. VESA **100 x 100** or **75 x 75**. Monitors max weight 10 kg each.
3. Pole Height **446mm** , Maximum arms width is **1225mm**.
4. Monitors can be tilted up **30 degree**, down **30 degree**, left, or right. Screens can be rotated from landscape to portrait as well.
5. **HEAVY DUTY C-CLAMP:** secures the mount to desks up to 4" thick, and features padding to keep your desk surface nice and protect it from scratches.

Contact us



India: Rife Technologies, 362, Vardhaman Plaza - II, J Block Community Center, Rajouri Garden, Delhi - 110027, India
E-mail: sales@rifeindia.com, Website: www.lcdtvstandindia.com, www.rifeindia.com, Tel: +91-9899250704

Hongkong: Ergonomic Corporation Hongkong Limited, 1102, 11th floor, 33 hysen Avenue, Lee Garden one, Causeway Bay, Hongkong
E-mail: sales@ergoshopping.com, Website: www.ergoshopping.com, Tel: 852-98226451