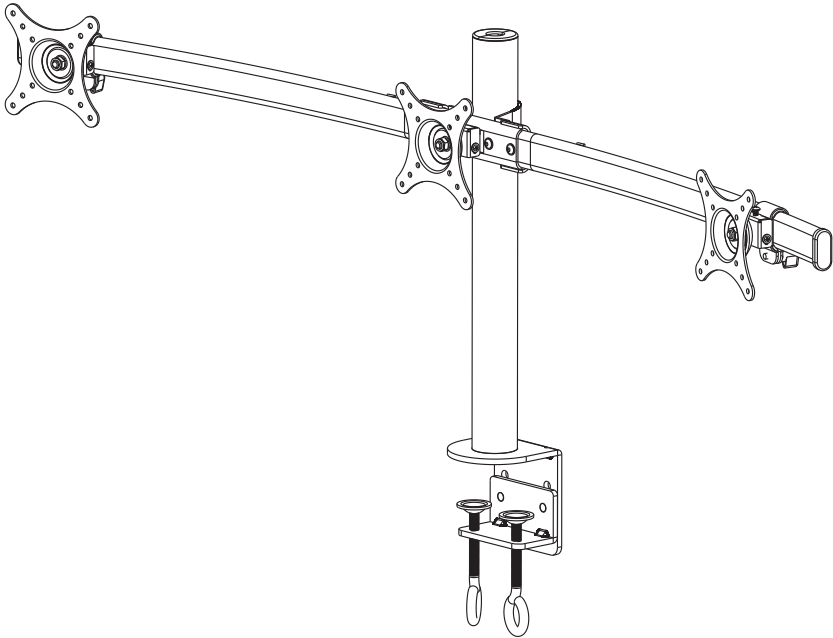


# Installation Instruction



## UNPACKING INSTRUCTIONS

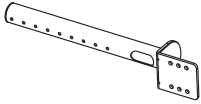
- ! Carefully open the carton, remove contents and lay out on cardboard or other protective surface to avoid damage.
- ! Check package contents against the Supplied Parts List in the next page to assure that all components were received undamaged. Do not use damaged or defective parts.
- ! Carefully read all instructions before attempting installation.

## IMPORTANT SAFETY INFORMATION

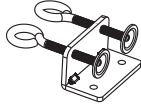
- ! Install and operate this device with care. Please read this instruction before installation, and carefully follow all instructions contained herein. Use proper safety equipment during installation.
- ! Please call a qualified installation contractor for help if you don't understand these directions or have any doubts about the safety of the installation.

Do not use this product for any purpose or in any configuration not explicitly specified in this instruction. We hereby disclaims any and all liability for injury or damage arising from incorrect assembly, incorrect mounting, or incorrect use of this product.

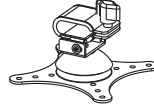
## Supplied Parts List



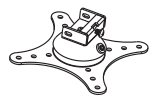
(1) 48mm Pole-a



(1) Disconnected  
"C" Clamp-b



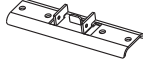
(2) Side Vesa Plate  
with Slip Set-c1



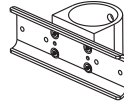
(1) Middle Vesa  
Plate-c2



(2) Long Arm-d



(1) Arm Connect  
Part-e



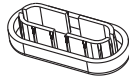
(1) Arm Clamp-f



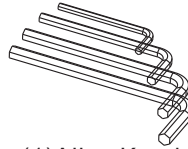
(4) M6x25 Bolt-g



(4) M6 Washer-h



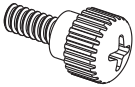
(2) Arm Plastic  
Cover-i



(1) Allen Key-j



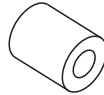
(24) M4 Washer-k



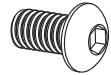
(12) M4x12  
Thumb Bolt-l



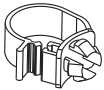
(12) M4x30 Bolt-m



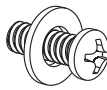
(12) M4 Space-n



(2) M8x10 Bolt-o



(2) Wire Clip-p



(2) M4x16 Bolt with  
washer-q



(2) M10x15 Bolt-r



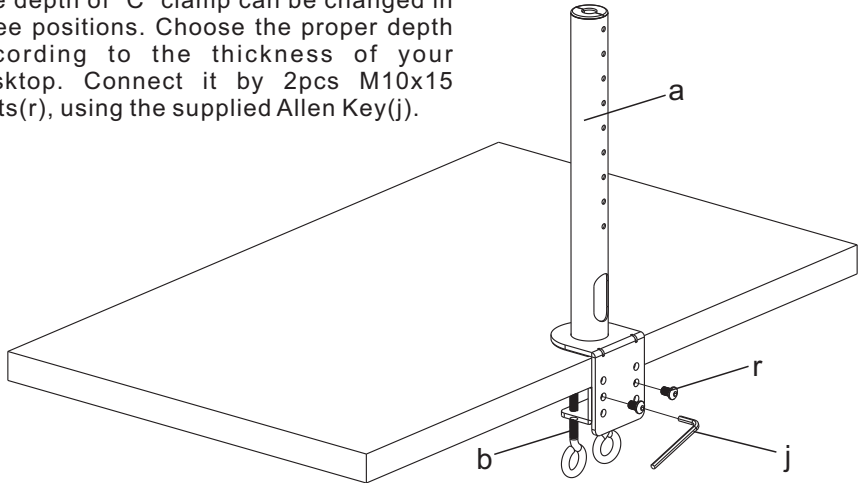
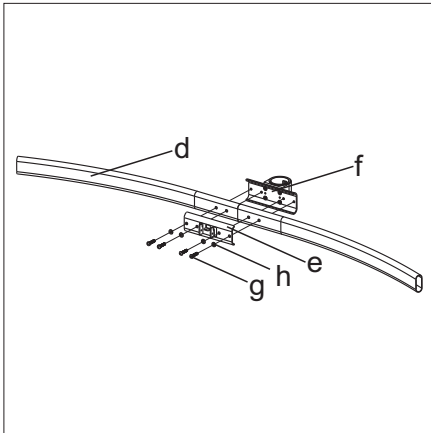
**WARNING**

## CAUTION!

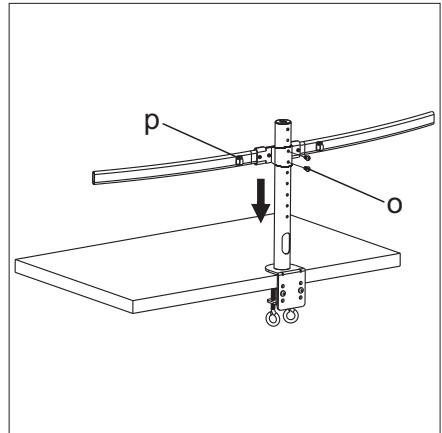
This monitor desktop mount must be securely attached to the horizontal desk. If the mount is not properly installed it may fall, resulting in possible injury and/or damage.

**Step 1****Install the “C” Clamp According to the Desktop Thickness**

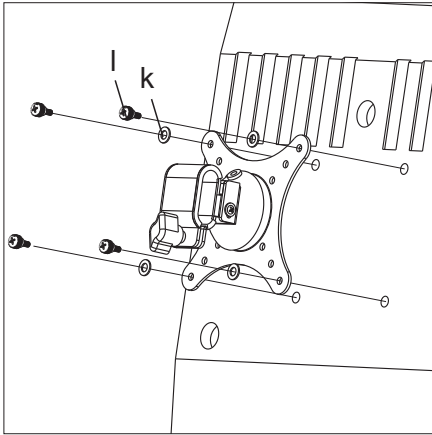
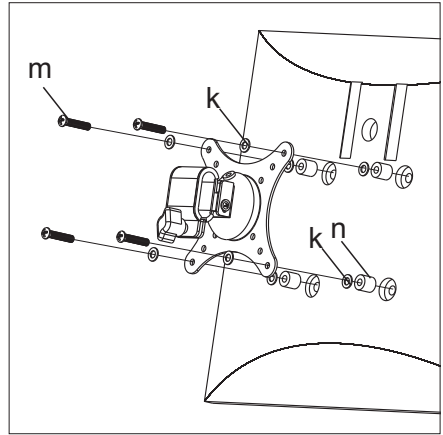
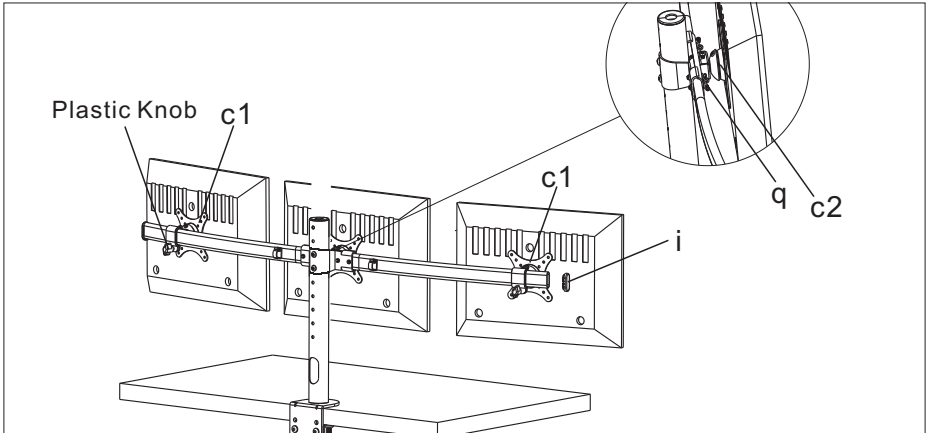
The depth of “C” clamp can be changed in three positions. Choose the proper depth according to the thickness of your desktop. Connect it by 2pcs M10x15 bolts(r), using the supplied Allen Key(j).

**Step 2****Assemble the Arm Sets and Install it on the Pole**

Assemble the curved arm sets as the diagram above, fasten the M6x25 Bolt(g) by provided Allen Key(j).



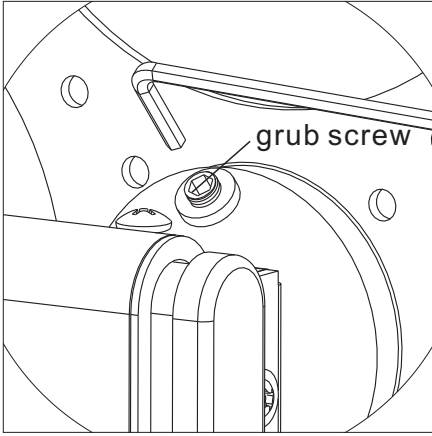
Insert the curved arm sets to pole, fasten the M8x10 Bolt(o) by provided Allen Key(j). Install the Wire Clip(p).

**Step 3****Mount the Monitor to VESA Plate****For Flat Back Monitor****For Curved Back Monitor****Step 4****Attach the Monitors to Arm Sets**

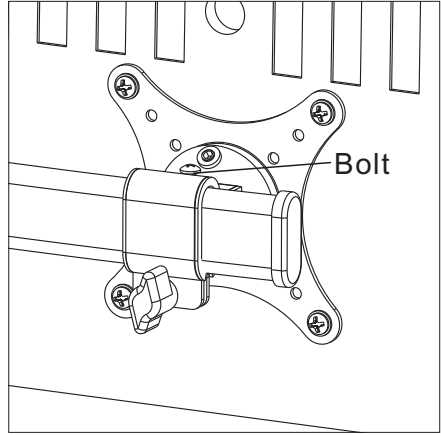
Attaching the monitors to the curved arm sets, fasten the M4x16 Bolt with Washer(q), fixing the position by the plastic knob. Install the Arm Plastic Cover(i) as the above diagram.

**Step 5**

**Adjust the Tilting Angle and the Monitors Level**



Fasten the grub screw to fix the tilting angle by provided Allen Key(j).



By fasten or loosen the bolt on the above diagram to adjust the level of each monitor.

**Step 6**

**Manage the Wires**

