

Dual Height Adjustable Monitor Stand



Available Colors



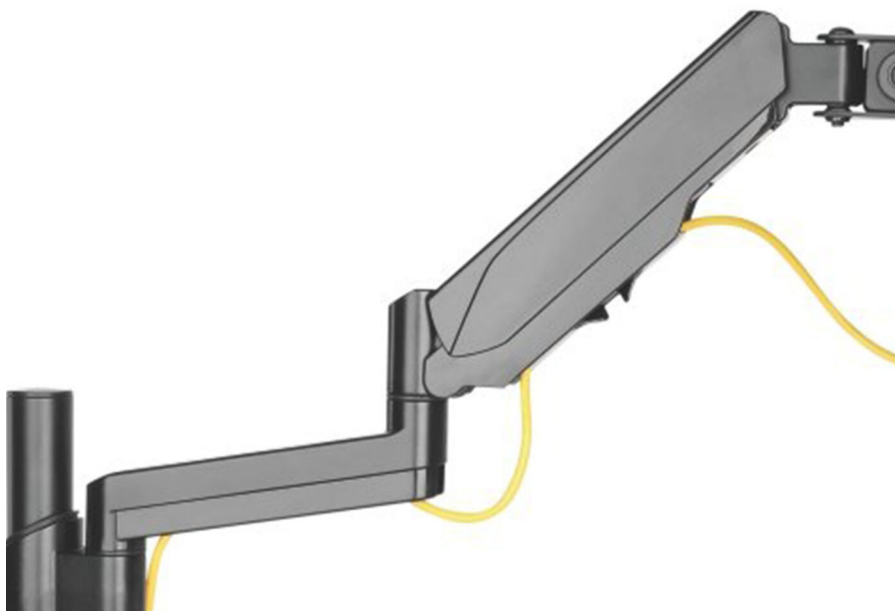
Designed to be high performance monitor arm, 2MS-GB helps you free up space and optimize your health and wellness. A built-in gas spring allows for smooth and accurate adjustment to comfortable reading positions. Flexible tilt, pivot and swivel functionality provides comfortable monitor angles. Moreover, the product incorporates a quick-release VESA plate which makes installation easier. Also, integrated cable management organizes the messy cords. All these great functions are made at an affordable price.



Fits most screens from 13" to 27"

VESA Mount compatible with VESA 75 (75 x75 mm) and VESA 100 (100 x 100mm) mounting holes

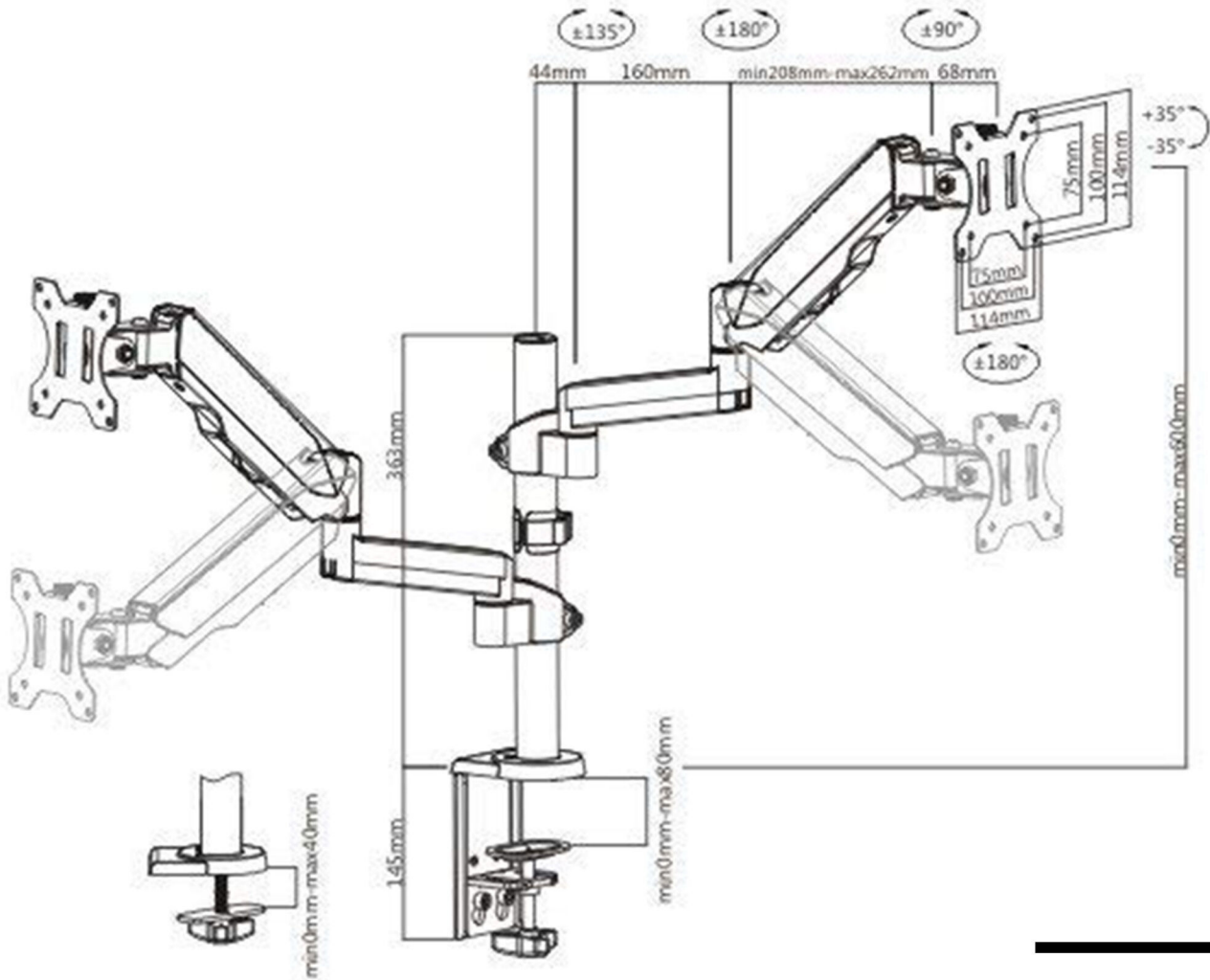
Improve the ergonomics of your office workstation and reduce neck, shoulder and back pain by raising monitor



Integrated cable management organizes the messy cords



Free-Tilting Design: for multiple monitor viewing angles



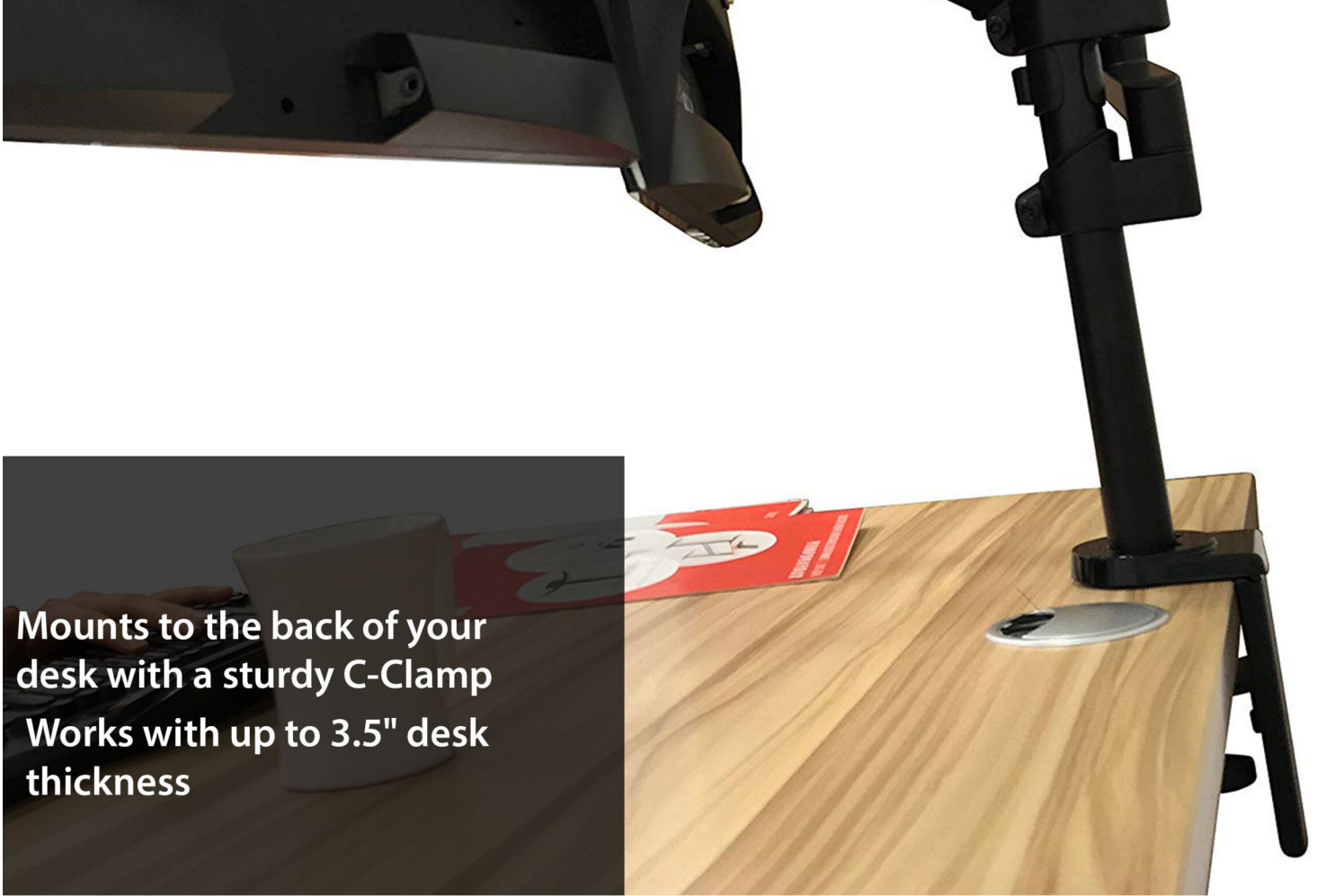
DIMENSIONS

Adjust your **Monitor Position** any way you like. Rotate 360 degrees between landscape and portrait modes. The screen can tilt up 90 degrees and down 40 degrees. With the swivel arms, the arm can articulate 360 degrees



Ergonomic height on your desktop, depending on your sitting position





Mounts to the back of your desk with a sturdy C-Clamp
Works with up to 3.5" desk thickness

Features

1. **UNIVERSAL FIT** - Fits most screens from 13" to 27" (13, 15, 17, 19, 20, 22, 23, 24 and 27 inch) from SAMSUNG, ACER, VIEWSONIC, LG, DELL, HP, ASUS, AOC and Emachines with up to 19.8 lbs weight.
2. **VESA Mount** - compatible with VESA 75 (75 x75 mm) and VESA 100 (100 x 100mm) mounting holes.
3. **HEIGHT ADJUSTABLE** - Gas spring arm is height adjustable to 13.5 inches. Gas spring offers adjustable counterbalance to the weight of the monitor, making it incredibly ease to change monitor height with the touch of a finger.
4. **DESK MOUNT ARM** - Mounts to the back of your desk with a sturdy C-Clamp. Works with up to 3.5" desk thickness.

Contact us



India: Rife Technologies, 362, Vardhaman Plaza - II, J Block Community Center. Rajouri Garden, Delhi - 110027, India
E-mail: sales@rifeindia.com, Website: www.lcdtvstandsindia.com , www.rifeindia.com, Tel:+91-9899250704

Hongkong: Ergonomic Corporation Hongkong Limited, 1102, 11th floor, 33 hysen Avenue, Lee Garden one, Causeway Bay, Hongkong
E-mail: sales@ergoshopping.com, Website: www.ergoshopping.com, Tel: 852-98226451