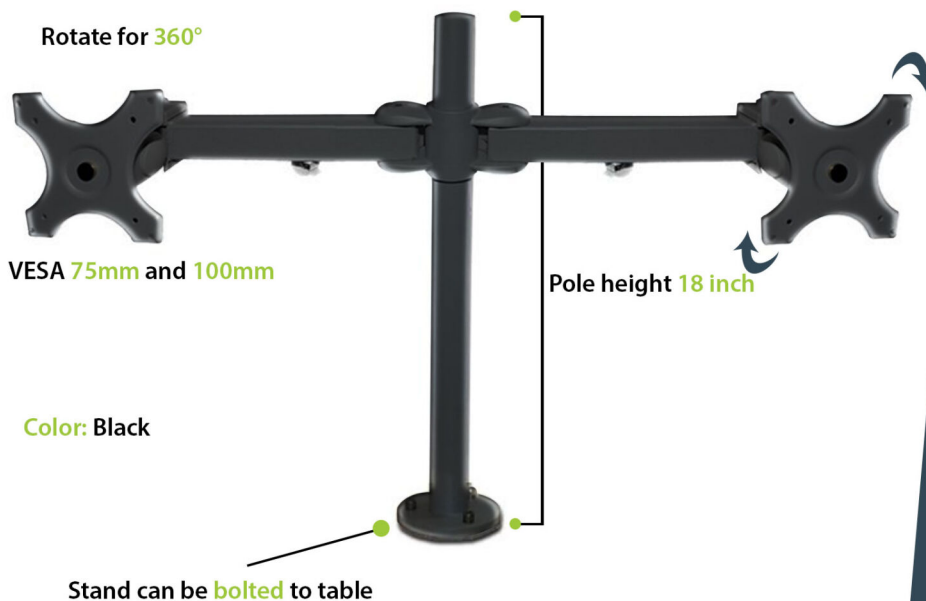




Dual Monitor Stand

Pivots 20° up / 10° down
for each monitor

Holds monitors 17" to 23" up to 25 lbs



We provide a Multiple monitor stand with 2 monitor or dual display ability with fix type and horizontal solution. This LCD Monitor stand is an ergonomic Workstation that help to maximize the desk space and reduce the back pain and neck pain. The 2MS-CT2 is a family of elegant aluminum LCD VESA desk mounts for 13"-27" monitors. It can support two monitors in horizontal line and the weight capability for each one is 8kgs/17.6lbs. It can rotate for 360°, which allows portrait and landscape viewing.



Elegant aluminum LCD VESA desk mounts for 13"-27" monitors

75mm and 100mm VESA compatible

Each mount can be tilted **left, right, up & down**. You can also rotate each monitor from portrait to landscape on the fly.



The **height adjustment** of arms is continuous along the pole. Just slide the clamp along the pole and adjust using the Allen wrench provided



Its ball-joint structure allows smooth, effortless tilt motion for any direction

Features

1. **Pivots & mounts provides mounting and dismounting.**
2. **Cable management system.**
3. **75mm and 100mm VESA compatible**
4. **Pivots 20° up / 10° down for each monitor.**
5. **Holds monitors 17" to 23" up to 25 lbs.**
6. **Pole height 18 inch.**
7. **The space between the monitors are fully adjustable.**
8. **Monitors can adjust in height, tilt, swivel & can rotate. Stand can be bolted to table.**
9. **Arms are fully adjustable.**
10. **The height adjustment of arms is continuous along the pole. Just slide the clamp along the pole and adjust using the Allen wrench provided.**
11. **Each mount can be tilted left, right, up & down. You can also rotate each monitor from portrait to landscape on the fly.**

Contact us



India: Rife Technologies, 362, Vardhaman Plaza - II, J Block Community Center, Rajouri Garden, Delhi - 110027, India
E-mail: sales@rifeindia.com, Website: www.lcdtvstandsindia.com, www.rifeindia.com, Tel: +91-9899250704

Hongkong: Ergonomic Corporation Hongkong Limited, 1102, 11th floor, 33 hysen Avenue, Lee Garden one, Causeway Bay, Hongkong
E-mail: sales@ergoshopping.com, Website: www.ergoshopping.com, Tel: 852-98226451