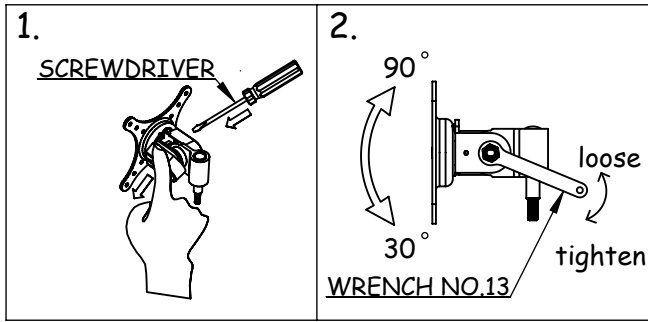
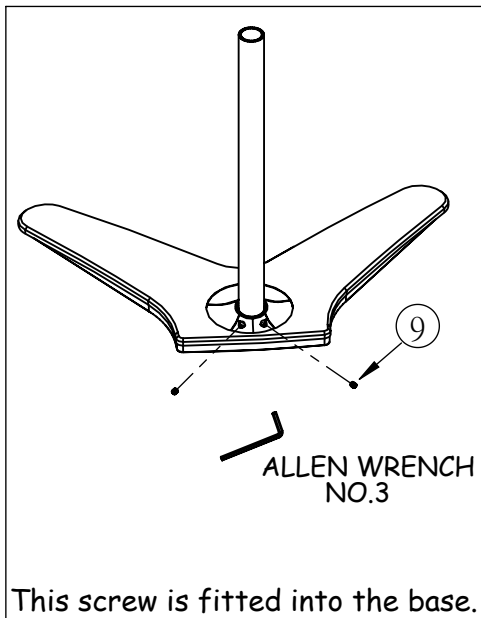


Why my monitors keep flopping?

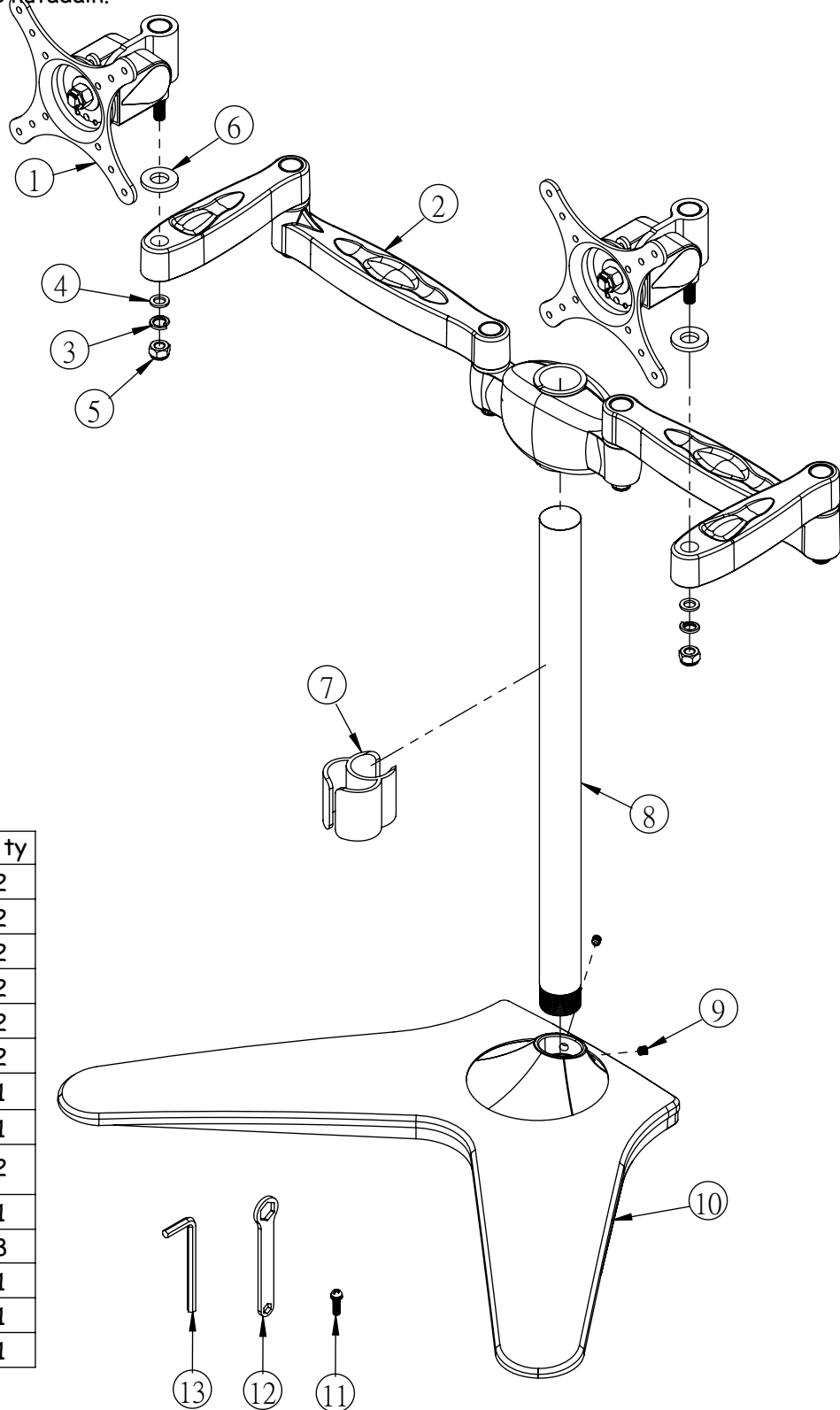
Answer: Please follow steps below to set the tilting angle



1. Locate the two caps which are on each side of the axis of the monitor bracket.
2. Use a flat-blade screwdriver to push open the caps.
3. Loosen the nut adjust the tilting angle then tighten the nut again.



RIFE



2MSFP-T

Item	Spare parts	Q'ty
1	LCD MOUNT ASSEMBLY	2
2	FOLD ARM	2
3	SPRING WASHER $\phi 5/16"$	2
4	WASHER $\phi 8 * \phi 13$	2
5	NYLON NUT $5/16" - 18UNC$	2
6	WASHER $\phi 12.5 * \phi 25 * T=3$	2
7	CABLE CLIP	1
8	FIXED TUBE L=400mm	1
9	BRAKE SCREW M6*P1.0*L6mm (pre-fitted into Part #10 Base)	2
10	BASE	1
11	SCREW M4*P0.7*L12mm FOR LCD	8
12	WRENCH NO.13	1
13-1	ALLEN WRENCH NO.3	1
13-2	ALLEN WRENCH NO.4	1