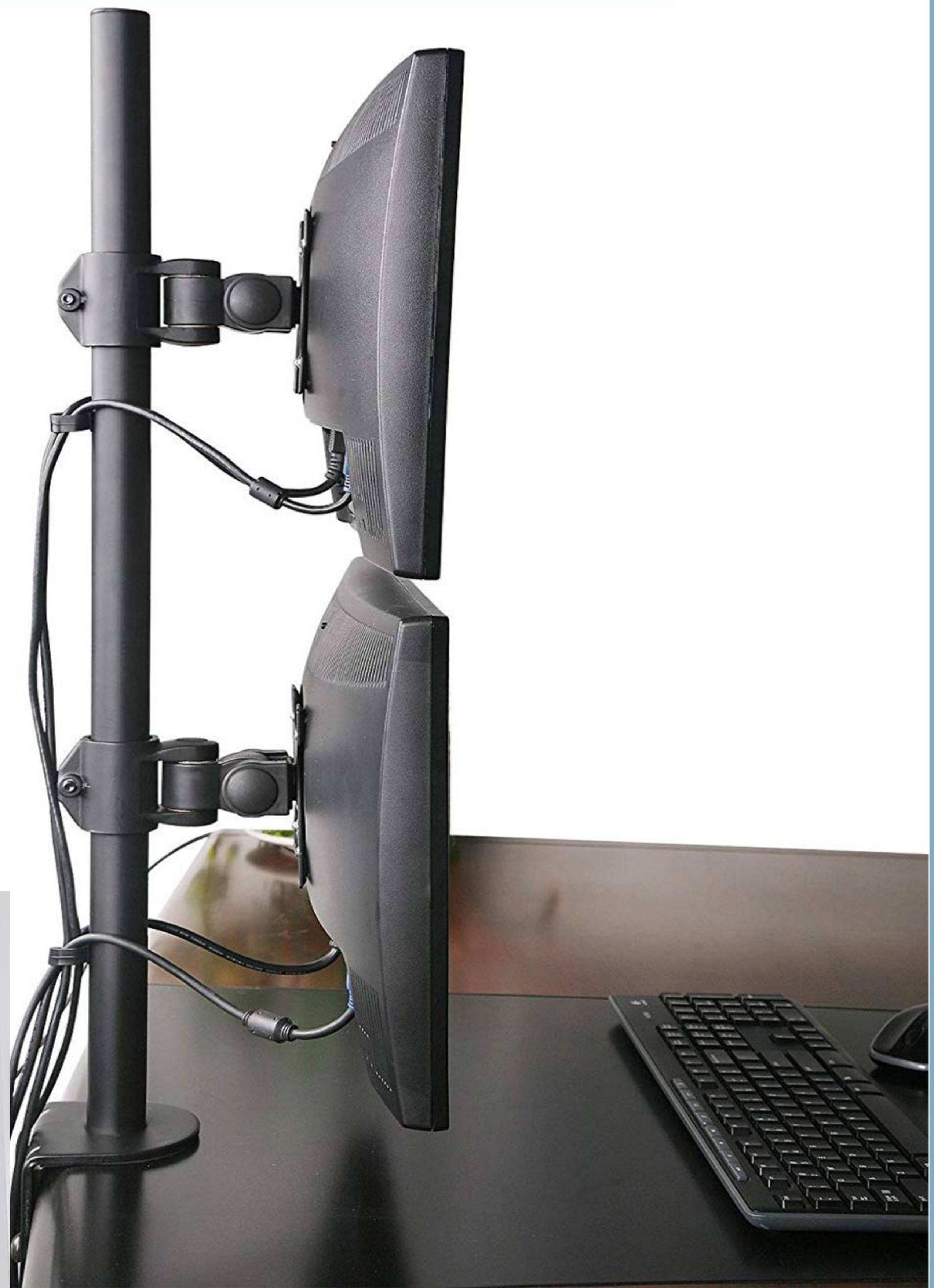


DUAL VERTICAL MONITOR ARM CLAMP TYPE (2MSCTV)

Keep your power and AV cables clean and organized.

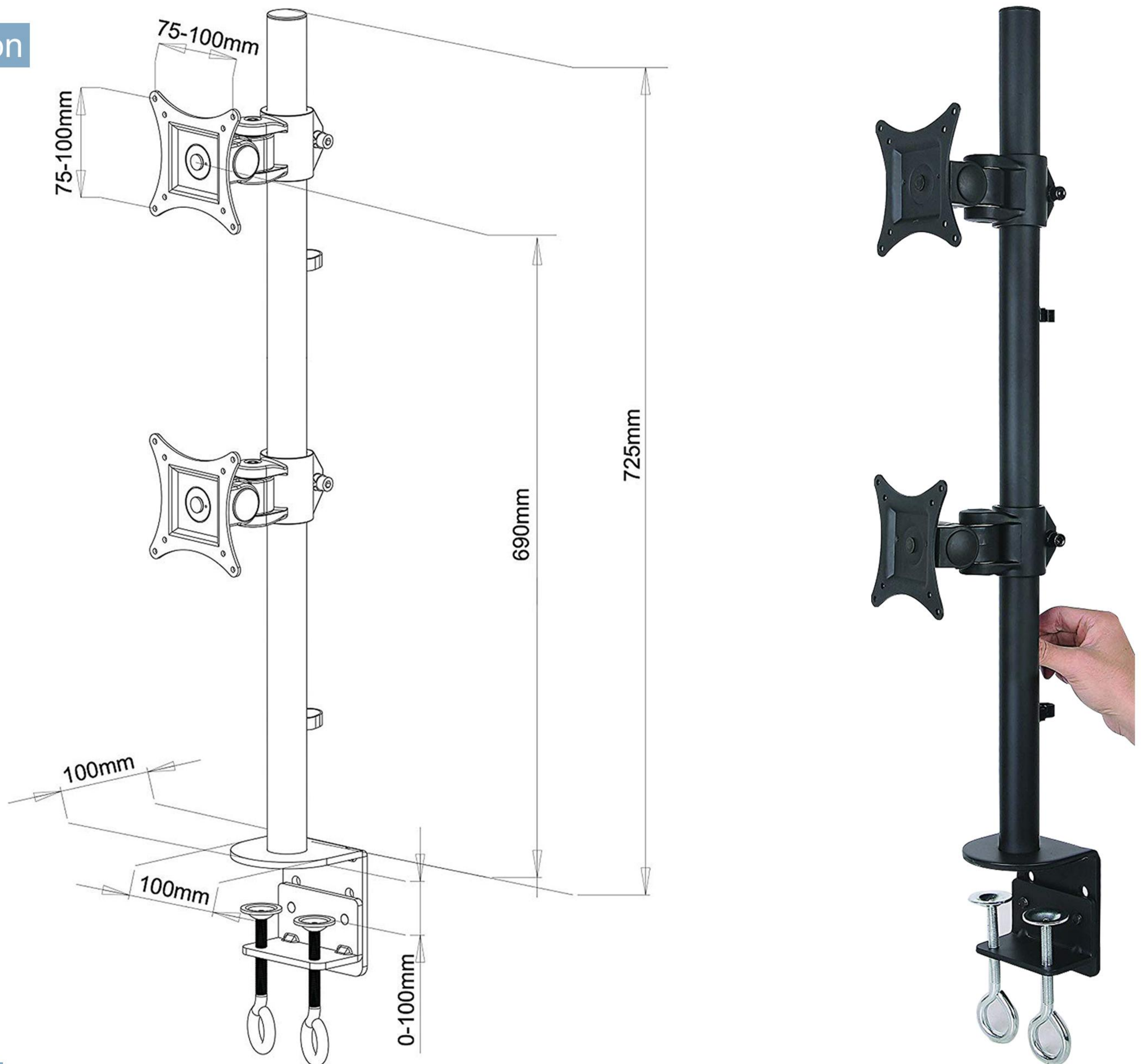


Heavy duty and Stable Clamp base attaches to most any flat desk or surface.

Mounts most 13 – 27" LCD Screens and Supports TV upto 17.6 pounds per monitor.



Dimension



Features

- ❖ Heavy duty and Stable Clamp base attaches to most any flat desk or surface.
- ❖ Mounts most 13 – 27" LCD Screens .Supports TV upto 17.6 pounds per monitor and VESA: 75×75,100×100 mm holes.
- ❖ Monitor can Tilt: 25 degrees (up and down).Rotate: 360 degree and Height adjustable.
- ❖ Monitor can be installed either in portrait or landscape shape Integrated cable management system

Contact us



India: Rife technologies, 362, Vardhamn Plaza - II J Block Community Center. Rajouri Garden, Delhi - 110027
E-mail: sales@rifeindia.com | Website: www.lcdtvstandsindia.com, www.rifeindia.com, www.ergodesks.in
Tel:+91-9899250704

Hongkong: Ergonomic Corporation Hongkong Limited, 1102, 11th floor, 33 hysen Avenue, Lee Garden one Causeway Bay, Hongkong

E-mail: sales@ergoshopping.com | Website: www.ergoshopping.com | Tel: 852-98226451