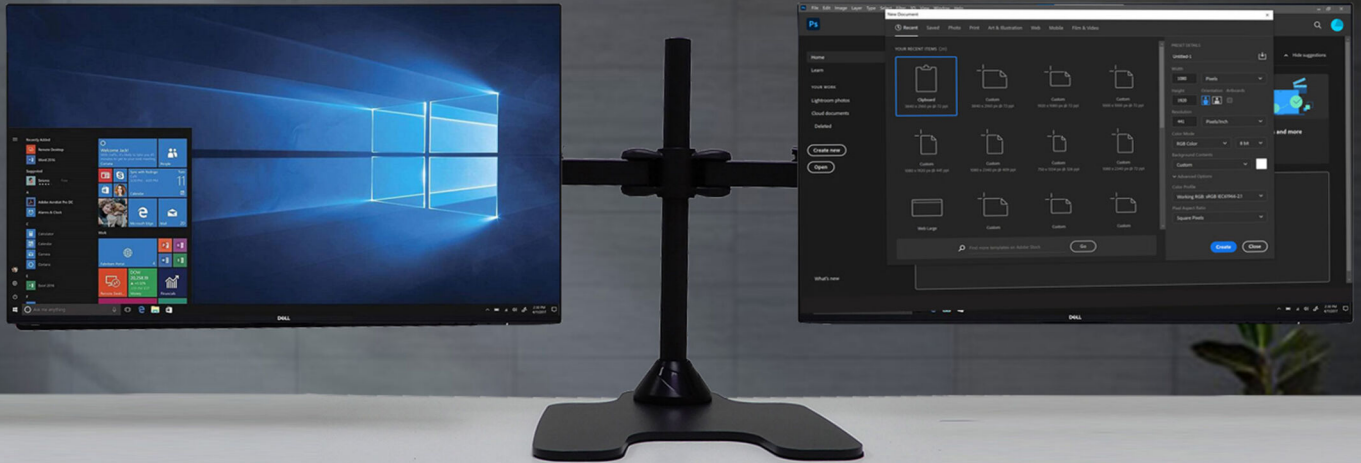


Freestanding Dual Monitor Mount



2HDF

Heavy-Duty Fully Articulating Dual Monitor Mount Arm

This wide dual monitor mount can be changed the height, angle, and depth. It's effortless rotation and positioning give you access to move it in any direction. This arm stand allows you to work in a healthy posture by setting the monitor at an optimal distance and height. The versatility of monitor placing allows for ergonomic positioning which encourages proper body setup and helps reduce strain on the neck, shoulders, and eyes.

Specifications:-

- Monitors up to 32"
- VESA: 75 x 75mm, 100 x 100mm
- Tilt: +90°/-90°
- Swivel: +25°/-25°
- Rotate: 360°
- Material: Aluminum Alloy
- Weight Capacity: 12 kgs (26.4lbs) per monitor
- Color: Black



The freestanding base allows you to place this monitor stand on top of your existing desk. 13.3" wide and 14.5" depth helps stabilize screens and prevent tipping.





STABLE & STURDY BASE

Heavy-duty freestanding base made for Securely holds 2 monitors stable in any position and saving more space on your desk and make your workstation spacious.

ARTICUALTING ARMS

Six upper joints with 180-degree articulation and can be tightened to make the arms fluid or stationary as desired. This move gives users the freedom to place monitors in the most comfortable viewing position.



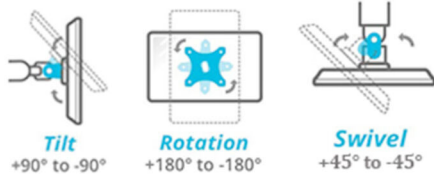
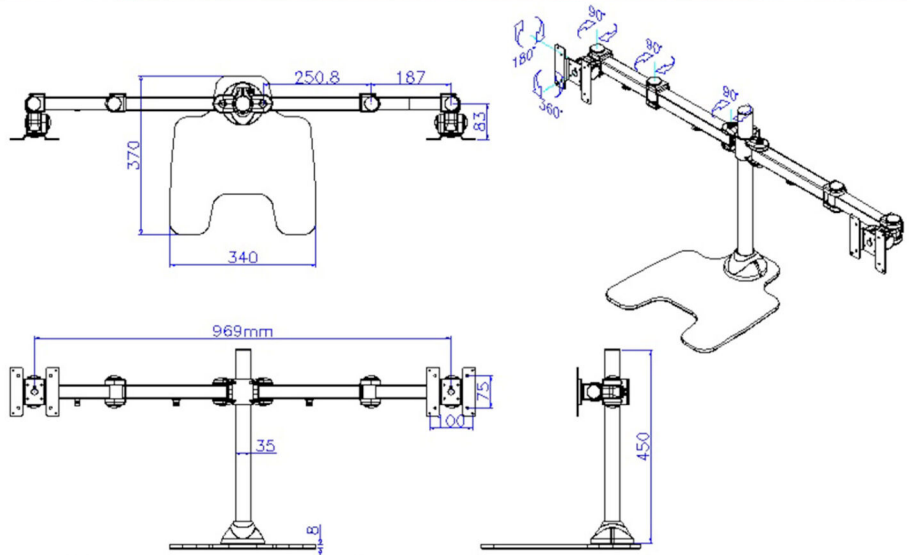
CABLE MANAGEMENT

A simple cable management clip snaps onto the center pole keeping AV and power cords clean and organized. Cable clips keep potentially messy cords organized and out of the way for a clean appearance.





Dimensions



Our monitor gives you a comfortable experience and viewing angles with $\pm 90^\circ$ tilt, $\pm 45^\circ$ swivel, and 360° rotation with height adjustment along the center pole for ergonomic screen positioning



Contact us



India: Rife Technologies, 362, Vardhaman Plaza - II, J Block Community Center. Rajouri Garden, Delhi - 110027, India
E-mail: sales@rifeindia.com, Website: www.lcdtstandsindia.com, www.rifeindia.com, Tel: +91-9899250704

Hongkong: Ergonomic Corporation Hongkong Limited, 1102, 11th floor, 33 hysen Avenue, Lee Garden one, Causeway Bay, Hongkong
E-mail: sales@ergoshopping.com, Website: www.ergoshopping.com, Tel: 852-98226451