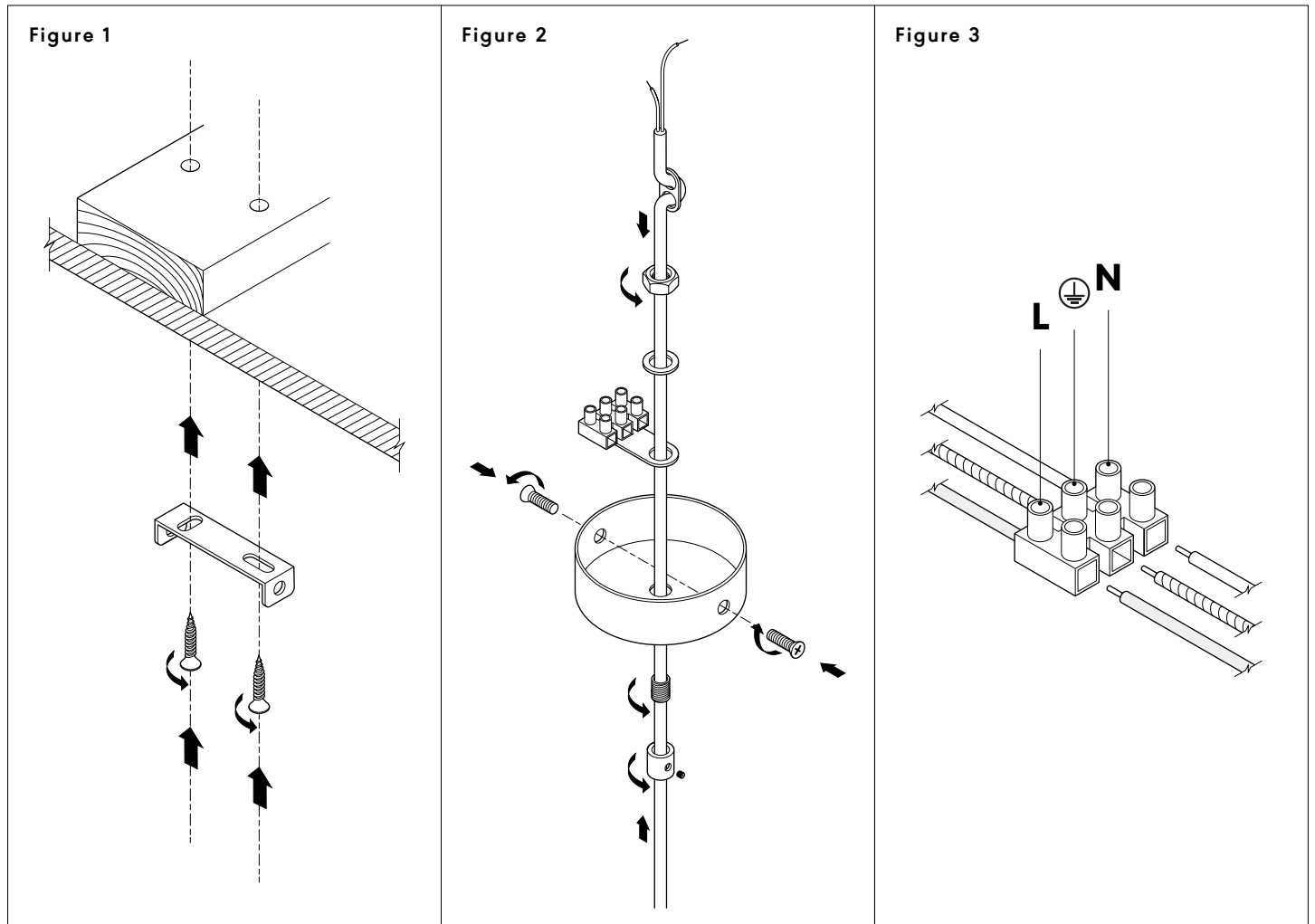


PENDANTS OVER 2KG

# PENDANT - CATEGORY B

## INSTALLATION MANUAL



### INSTALLATION DIRECTIONS

- 1 Install a noggin in the ceiling at desired location.
- 2 Use the mounting bracket as a template to mark the screw positions on the ceiling.
- 3 Install the mounting bracket onto the ceiling by using appropriately-sized mounting screws and anchors. See Figure 1.
- 4 If luminaire has flex cord, determine the approximate pendant drop required. Thread the strain relief onto the flex cable. See Figure 2. (Note that luminaires with rods have fixed drop length.)
- 5 Make electrical connections using the terminal block, ensuring wires are secure and no bare wires are exposed. See Figure 3.
- 6 Screw in the cable grip and secure the terminal block to the canopy. Install canopy onto the mounting bracket and secure by tightening the screws on the sides. See Figure 2.

### SAFETY INSTRUCTIONS

- Always switch off mains supply before installation, maintenance, cleaning or making any adjustments.
- This luminaire must be assembled and installed by a licensed electrician. Wiring and installation of the luminaire must adhere to the latest local and national wiring rules, e.g. AS/NZS 3000 Electrical Installations.
- Amphis will not accept responsibility if the luminaire is not assembled and installed by a licensed electrician or if there is any damage due to improper usage or modification to the luminaire.
- Wear gloves whilst installing to avoid marking pendant.