



109005-WC

WALL MOUNTED CONTROLLER

DC MOTOR CEILING FAN REMOTE EMITTER

INSTALLATION MANUAL

WALL MOUNTED CONTROLLER - INSTALLATION MANUAL

Thank you for purchasing this quality Amphis product. Please read carefully before installation.

WARRANTY

This Amphis product is covered by a 3-year residential warranty. The warranty period starts from date of purchase. Proof of purchase will be required.

Warranty will be void if the product is not assembled and installed by a licensed electrician, is used with a non-compatible dimmer, or if there is any damage due to improper usage or modification to the luminaire.

FEATURES

- The wall emitter can operate the fan together with the handheld transmitter simultaneously.
- Fan can be controlled by the emitter without any direction restriction, for it's RF wireless operation.
- With the memory function, the emitter can save the last setting condition of speed and light, while the supply power is off and being restored.

WALL MOUNTED CONTROLLER - INSTALLATION MANUAL

SPECIFICATIONS

Input Voltage 220-240V AC

Dimensions (mm) **Controller** - L86 x W86 x D35
 Concrete Mount - L86 x W86 x D57.3

Warranty 3 Year Residential

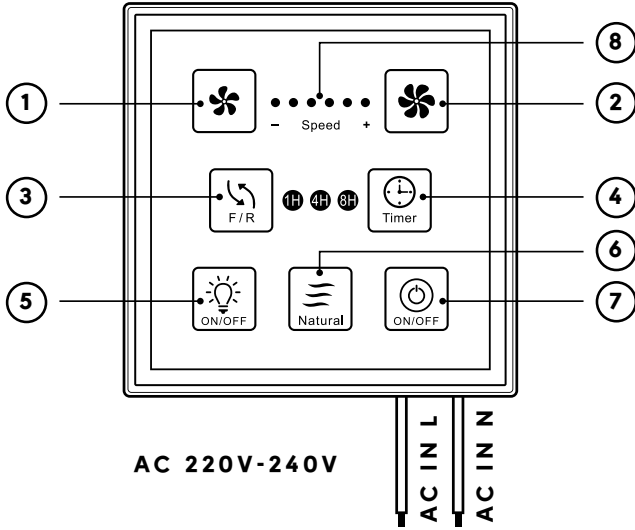
POWER PARAMETER LIST

Voltage	Fan (Maximum)	Lamp (Maximum)
220-240V	65W	115W
120V	60W	40W

INSTALLATION INSTRUCTIONS

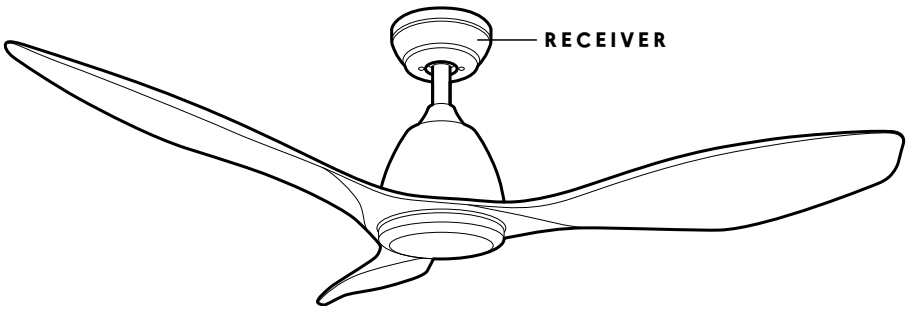
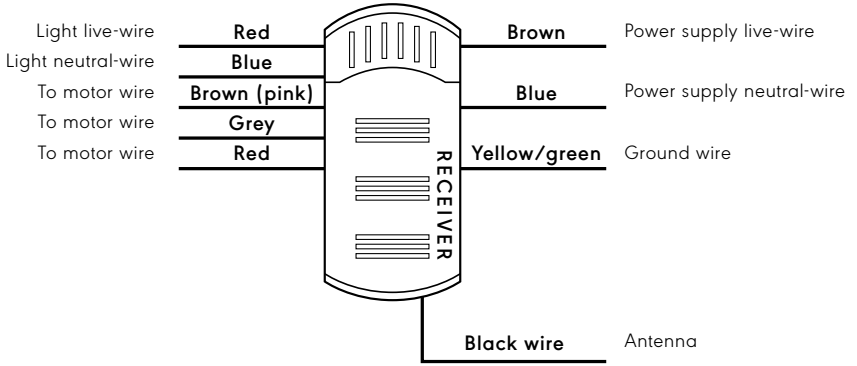
- 1 This must be installed by a qualified electrician.
- 2 Isolate power to ensure a safe working environment.
- 3 Wire & Install power supply to DC Fan controller -
PLEASE NOTE the controller requires an isolation switch.
- 4 Connect the wall controller and mount to wall.
- 5 Once power has been reinstated turn the isolation switch to the on position
- 6 Hold the ON/OFF button on the fan controller for 5 seconds until the receiver clicks.
- 7 Set the fan to the desired speed and use accordingly.

EMITTER FUNCTIONS




- 1 Fan speed - LOW
- 2 Fan speed - HIGH
- 3 Direction of the fan airflow control
- 4 Timer Off setting switch
- 5 Light On/Off switch (optional) - hold to adjust dimming
- 6 Natural wind setting
- 7 Fan On/Off switch
- 8 Speed setting indication

RECEIVER WIRING INSTRUCTIONS



REMINDERS

- 1 Learning code PAIRING mode is used between emitter and receiver. Turn "ON" the supply power within 30 seconds and press the emitter's "" button for 5 seconds, the pairing is done after hearing a long "beep" sound which means learning successfully and it can work normally. (PS: Learning mode is not accepted after turn "ON" the supply power more than 30 seconds).
- 2 When the emitter can not control the fan properly, please check if there is any handheld transmitter nearby, then, check whether the transmitter is operating, because the operation can be disturbed each other by the same RF frequency.
- 3 The maximum load of lighting see the above "POWER PARAMETER LIST"
PS: please connect the ground wire properly, otherwise it may cause the light flash situation.
- 4 When installing the ceiling fan, make sure the antenna of receiver DO NOT be pressed/squeezed by the canopy.

To the best of our knowledge, the information contained herein is accurate and reliable as of the date of publication; however, Amphis Pty Ltd does not assume any liability whatsoever for the accuracy and completeness of the information.

Amphis Pty Ltd makes no warranties which extend beyond the description contained herein.

Any information given in this statement does not constitute any warranty of merchantability or fitness for a particular use. It is the customer's responsibility to inspect and to test our products in order to satisfy themselves as to the suitability of the products to their particular purpose.



Telephone 1300 LIGHTS

Email sales@amphis.com.au

amphis.com.au