



108100, 108101

SOLEADO

2400W FAR INFRARED (FIR) RADIANT HEATER



INSTALLATION MANUAL

Thank you for purchasing this quality Amphis product. Please read carefully before installation.

WARRANTY

This Amphis product is covered by a 3-year residential warranty. The warranty period starts from date of purchase. Proof of purchase will be required.

Warranty will be void if the heater is not assembled and installed by a licensed electrician, is used with a non-compatible dimmer, or if there is any damage due to improper usage or modification to the luminaire.

RADIANT HEATER THEORY

Infrared radiant heaters produce heat through a unique design process and the application of an alloy radiation panel embedded with a heating element. The heating element generates and transfers heat to people and objects, instead of warming the air, similar to the way the sun's rays can be felt even on a cold day. Warming the surfaces of your room, instead of the air, will not lead to air convection, meaning that the air is fresh and clean. It is easier to maintain a relative indoor humidity and heat distribution, feels more natural and fresh, and you feel more comfortable, as though being bathed in the warmth of the sun.

PERFORMANCE FEATURES

Comfort - No wind, light or odour will be caused during the running of this heater. Indoor air is clean and without floating dust particles.

Energy-saving - The heater has a high heat generation efficiency and good heat radiation effect, controlling the temperature intelligently, which saves power and energy.

Reliable - The indoor temperature can be adjusted freely, despite outside temperatures.

Health benefits - Radiant heat has been found to have health benefits as it interacts with the body's molecules. It can change body microcirculation, cell organisation under the skin producing resonance, adjust and balance the nervous system and promote metabolism.



SOLEADO - INSTALLATION MANUAL

WORKING CONDITION

Ambient Temperature: -30°C to 30°C

Power Source: GPO Plug

Rated Voltage: 220-240V

Rated Frequency: 50Hz/60Hz

Relative Humidity: less than 95%

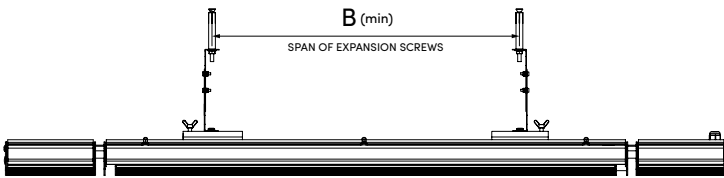
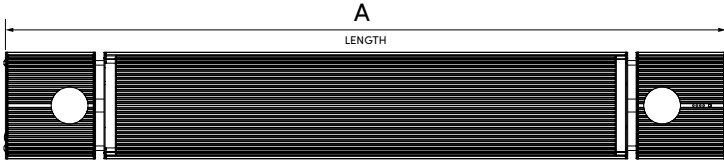
INSTALLATION CONDITIONS

- 1 Supply voltage fluctuation range should be within $\pm 10\%$. If this range is not met, it must be revised before installation.
- 2 If there is a serious security risk in the users' electricity environment the installation should be refused, until the elimination of the security risks is carried out.
- 3 Electrical lines must be equipped with earth leakage protection devices and master switch.

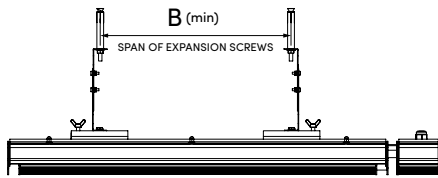
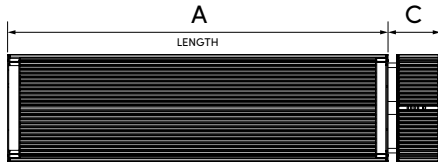
INSTALLATION CONDITIONS

MODEL NO.	POWER (W)	RATED CURRENT (A)	VOLTAGE (V)	CABLE LENGTH (mm)
108100	2400	10	220-240	2000
108101	2400	10	220-240	2000

INSTALLATION INSTRUCTIONS



108100

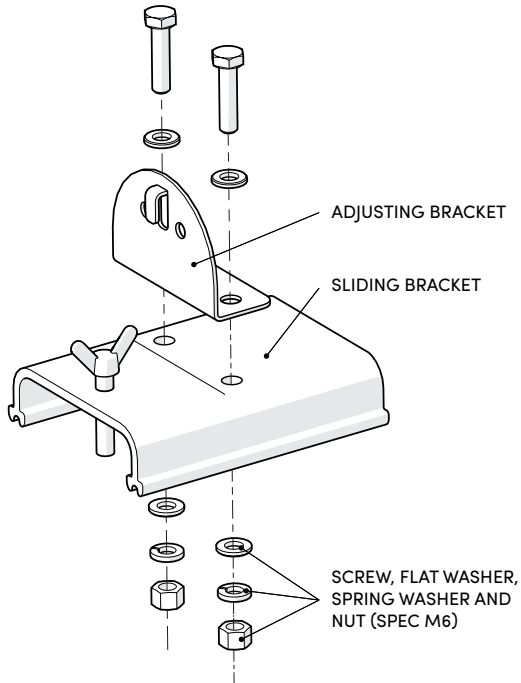


108101

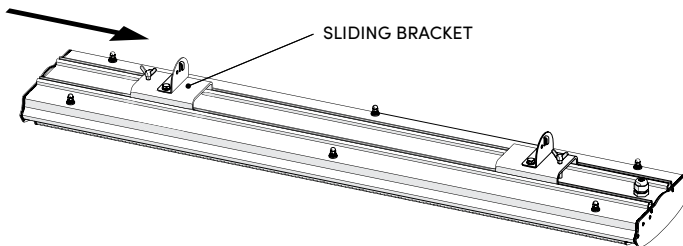
MODEL NO.	DIMENSION A	DIMENSION B	DIMENSION C
108100	1875mm	1200mm	-
108101	1500mm	1200mm	95mm

INSTALLATION INSTRUCTIONS

Step 1 Connect heater adjusting bracket and sliding bracket.

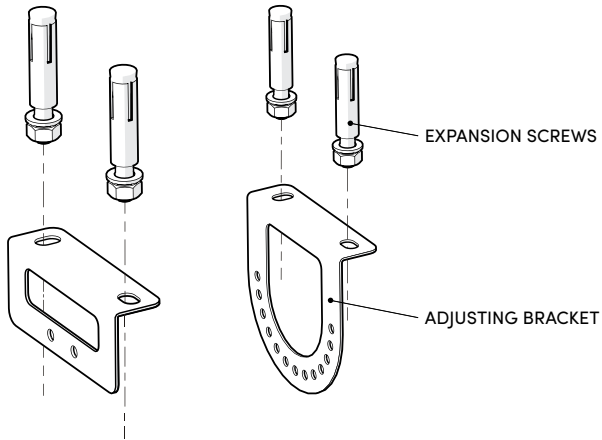


Step 2 Install sliding bracket on heater (as arrow directs).

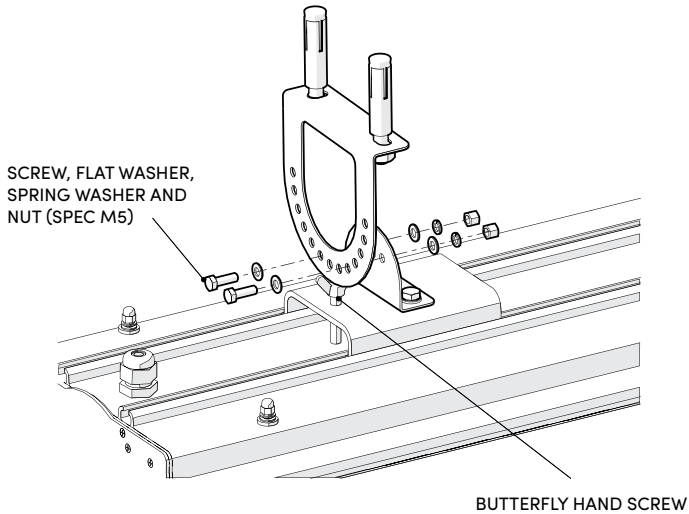


INSTALLATION INSTRUCTIONS

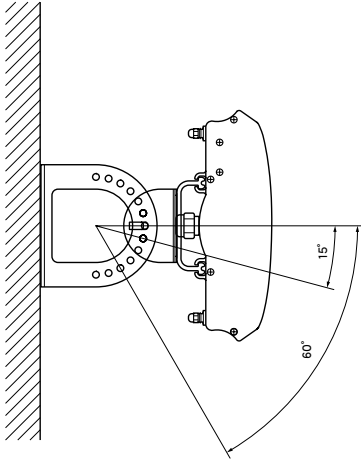
Step 3 Fix wall adjusting bracket into the wall with expansion screws.



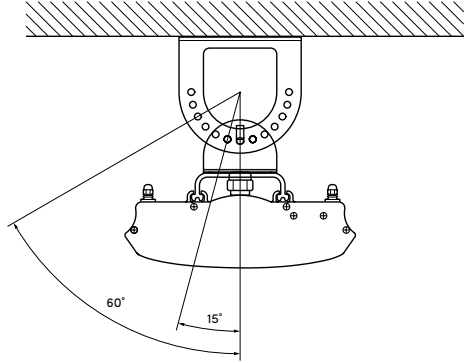
Step 4 Connect the two (heater and wall) adjusting brackets; make sure to lock brackets tightly using the butterfly hand screw.



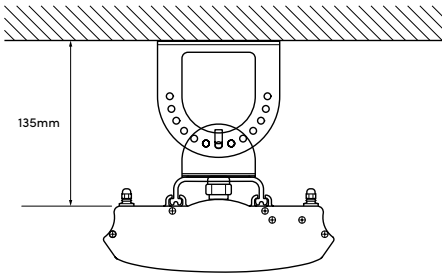
INSTALLATION INSTRUCTIONS



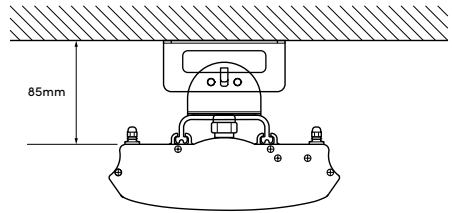
WALL INSTALLATION



CEILING INSTALLATION

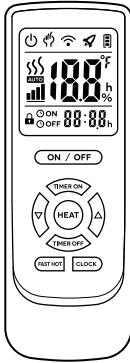


CEILING INSTALLATION 1
(ADJUSTABLE MOUNT)

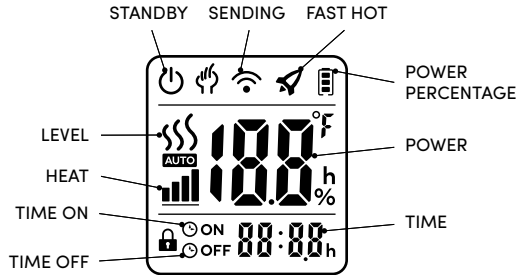


CEILING INSTALLATION 2
(NON-ADJUSTABLE MOUNT)

OPERATING THE REMOTE



REMOTE APPEARANCE



REMOTE LED DISPLAY

1. On/off Button

Press ON/OFF button to turn the heater on and off.

2. Clock Button

Remote is powered on (as shown in picture 2-1). Present time is 00:00.

Set the time as follows:

Press Clock button. The hours will flash (as show in picture 2-2).

Press up or down button to change hour setting.

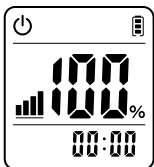
Press Clock button. The minutes will flash (as shown in pictures 2-3).

Press up or down button to change minute setting.

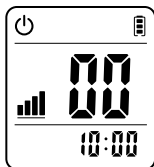
Press Clock button. The seconds will flash (as shown in picture 2-4).

Press up or down button to change hour setting.

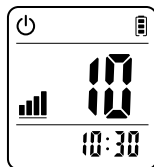
Press Clock button again. The seconds will stop flashing and the setting is finished.



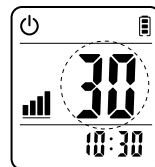
2-1



2-2



2-3

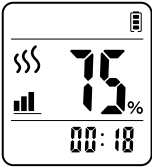


2-4

OPERATING THE REMOTE

3. Level Button

Press Level button to adjust the power when the heater is on (as shown in picture 3-1).



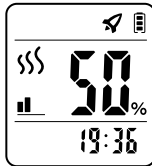
3-1

4. Fast Hot Button

Press Fast Hot button to turn the Fast Hot function on and off. The Fast Hot function lets the heater run at full power for a certain time, to achieve the purpose of rapid heating.



4-1

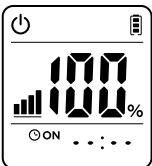


4-2

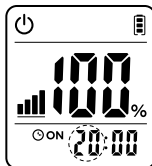
5. Timer On Button

If the heater is off, to set a timer to turn the heater on do the following:

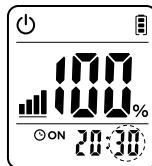
- 1 Press Timer On button. Display will show "⌚ ON" --:-- (as shown in picture 5-1).
- 2 Press up or down to change the hour (as shown in picture 5-2).
- 3 Press Timer On button. The hours will stop flashing and the minutes will flash.
- 4 Press up or down to change the minutes (as shown in picture 5-3).
- 5 Press Timer On button again to finish timer function. Display will show the present time and "⌚ ON". (Example in picture 5-4 shows current time of 4:30pm and that timer is set to turn on, with timer having been set to 8:30pm as in previous steps).



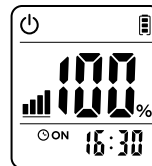
5-1



5-2



5-3



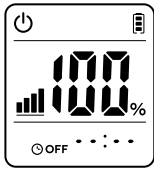
5-4

OPERATING THE REMOTE

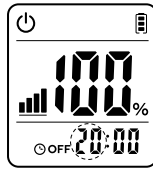
6. Timer Off button

If the heater is on, to set a timer to turn the heater off do the following:

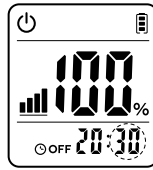
- 1 Press Timer Off button. Display will show "⏸ OFF" --- (as shown in picture 6-1).
- 2 Press up or down to change the hour (as shown in picture 6-2).
- 3 Press Timer Off button. The hours will stop flashing and the minutes will flash.
- 4 Press up or down to change the minutes (as shown in picture 6-3).
- 5 Press Timer Off button again to finish timer function. Display will show the present time and "⏸ OFF". (Example in picture 6-4 shows current time of 4:30pm and that timer is set to turn off, with timer having been set to 8:30pm as in previous steps).



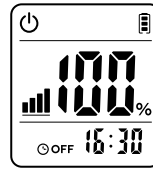
6-1



6-2

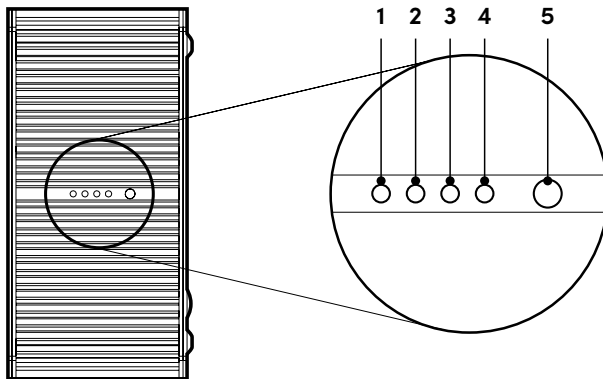


6-3



6-4

LED INDICATORS



HEATER LED INDICATOR APPEARANCE

LED indicators 1 – 4 show the heater's power level or timer settings (as detailed below)

LED 5 is the far-infrared receiver.

All LED indicators off = heater is off

OPERATING THE REMOTE

Press Fast Hot button to turn the Fast Hot function on and off. The Fast Hot function lets the heater run at full power for a certain time, to achieve the purpose of rapid heating.

● ○ ○ ○ Power level 25%

● ● ○ ○ Power level 50%

● ● ○ ○ Power level 75%

● ● ● ● Power level 100%

○ ○ ○ ○ Now in clock function (without time setting)

○ ● ○ ○ Heater will auto shutdown after 2 hours

○ ● ○ ○ Heater will auto shutdown after 4 hours

○ ● ● ● Heater will auto shutdown after 8 hours

○ Light is off

● Red light

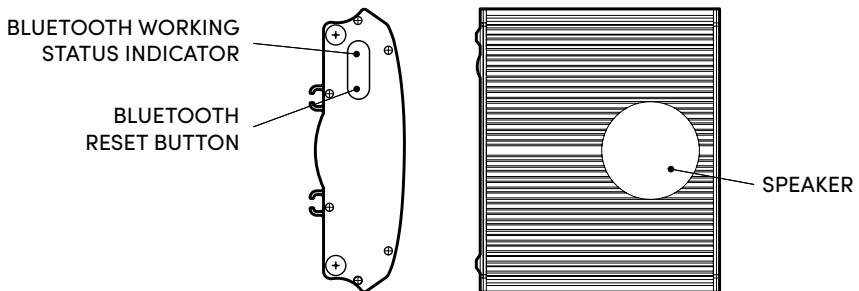
○ Green light

BLUETOOTH SPEAKERS

The Bluetooth speaker is turned on when the heater is powered on.

To pair a device, the speaker will enter pairing mode. Access the Bluetooth functionality on your device (such as mobile phone, laptop, PDA etc.). Search for the heater "JR-HEATER-SPEAKER". When found, select and pair your device.

When a device is connected to Bluetooth, you can use the Bluetooth speaker in the heater to play music.



Bluetooth Reset Button

Hold button to disconnect the Bluetooth speaker

SOLEADO - INSTALLATION MANUAL

Bluetooth LED indicator

Green light flashing = Bluetooth speaker is connected

Red and green light flashing = Bluetooth speaker waiting for connection

Note:

- 1 The speakers do not support mobile phone hands-free function.
- 2 Due to the 2.4G radio interference, if the speaker does not pair or play music clearly, turn the heater off and re-power the heater.

INSTALLATION CHECKLIST

ITEMS TO BE CHECKED	SITUATION CAUSED BY IMPROPER INSTALLATION
Is the installation stable?	The appliance may fall off or shake
Is the heat insulation adequate?	Objects close to the appliance may be damaged
Is power voltage same as voltage shown on product nameplate?	Equipment failure
Is wire connection correct?	Equipment failure
Is electricity grounding connected safely?	Electricity leakage risk
Does wiring conform to standards?	Equipment failure or circuit damage

ATTENTION

Due to thermal expansion and contraction, the appliance may make noise when turning on or off. This is a normal phenomenon, and will not affect the running of the heater.

BEFORE OPERATING

- 1 Do not turn on power before finishing all installation works.
- 2 Ensure all wire connections are correct and secure.
- 3 All scattered objects such as dust must be removed from radiant heater body.
- 4 Connect with power to observe radiant heater working status.

SAFETY DIRECTIONS

This appliance is not intended for use by persons (including children) with reduced physical, sensory or mental capabilities, or lack of experience and knowledge, unless they have been given supervision or instruction concerning use of the appliance by a person responsible for their safety.

Children should be supervised to ensure that they do not play with the appliance.

WARNING: In order to avoid overheating, do not cover the heater.

- 1 If the supply cord is damaged, it must be replaced by the manufacturer, its service agent or a similarly qualified person in order to avoid a hazard.
- 2 The heater must not be located immediately below a socket outlet.
- 3 Do not use the same socket together with other appliances, in case of current overload. Make sure the plug and socket have good contact.
- 4 Pull plugs out when power is off. Do not pull plug by hand if cord has exposed wires.
- 5 Turn off power immediately if heater fails, is broken or wires are exposed. As a user, do not attempt to repair the appliance. Contact an authorised servicer for maintenance if equipment fails.
- 6 Radiant heater must not be placed directly below the power outlet.
- 7 Radiant heater surface temperatures are high, therefore must be installed higher than 2.2 metres above ground.
- 8 Radiant heater surface must not be covered. Do not hang objects on or from equipment.
- 9 The distance between back of radiant heater and ceiling must be larger than 150mm, between front of radiant heater and objects must be larger than 1000mm, and between the side of radiant heater and surrounding space must be at least 200mm.
- 10 Turn off power and wait until equipment surface is cool before cleaning. Flushing appliance with water is prohibited.
- 11 Do not install and use radiant heaters on areas that are flammable, explosive, or susceptible to electrical shock.
- 12 Do not insert any metal or foreign objects into the appliance, to avoid accident or personal injury.
- 13 The appliance is hot when in use and for a short period after use. To avoid burns, do not let bare skin touch hot surfaces.

SOLEADO - INSTALLATION MANUAL

PACKING LIST

NUMBER	ITEM	QTY
1	Heater	1
2	Adjusting bracket	1 set
3	Sliding bracket	2
4	Fastener	1 set
5	Owner manual	1
6	Certification	1

HEATER SPECIFICATIONS

MODEL NO.	DIMENSIONS (MM)	PACKAGE SIZE (MM)	NET WEIGHT (KG)	GROSS WEIGHT (KG)
108100	1875 x 189 x 67	1970 x 250 x 145	12.3	14.5
108101	1500 x 189 x 67	1595 x 250 x 145	8.8	10.6

BLUETOOTH SPEAKER SPECIFICATIONS

Frequency	80Hz - 18kHz
SNR	≥90dB
Sensitivity Rate	80dB
THD	0.10%
Bluetooth Standard	V4.1+EDR(A2DP)
Speaker	2 x 5W
Working range	≤10m
Output power	10W

To the best of our knowledge, the information contained herein is accurate and reliable as of the date of publication; however, Amphis Pty Ltd does not assume any liability whatsoever for the accuracy and completeness of the information.

Amphis Pty Ltd makes no warranties which extend beyond the description contained herein.

Any information given in this statement does not constitute any warranty of merchantability or fitness for a particular use. It is the customer's responsibility to inspect and to test our products in order to satisfy themselves as to the suitability of the products to their particular purpose.



Telephone 1300 LIGHTS

Facsimile +61 3 9645 6574

Email sales@amphis.com.au

amphis.com.au