

A DBO WORLD

ASPIRE 6 BURNER GAS BBQ



Model NO. ASP-001/ASP-002

- ◆ Made with 304 Stainless Steel
- ◆ 304 Stainless Steel Tube Burner
- ◆ 304 Stainless Steel Cooking Plate & Cast Iron Hotplate
- ◆ LCC27 Safety Protection Hose & Regulator
- ◆ AGA Approved
- ◆ LPG & NG Convertible
- ◆ For Outdoor Use Only

IMPORTANT SAFETY INSTRUCTION

For your safety please read the user manuals carefully

WARNING

Do not lean over barbecue when lighting

- Do not leave the barbecue unattended when alight
- Do not delay lighting once the gas has been turned on
- Do not store or use aerosol cans in the vicinity of the barbecue
- Do not store or use flammable liquids or flammable materials in the vicinity of this barbecue
- Do not use caustic or abrasive based cleaners on the barbecue
- Do not attempt to dismantle or adjust the control valves
- Do not attempt to dismantle or adjust the regulator

WARNING

If you smell gas:

- Shut off gas to the appliance
- Extinguish any open flame
- Open hood
- If odour continues, immediately call your gas supplier or your fire department

WARNING

Do not test for leaks with a naked flame

- Do not modify the construction of this appliance or modify the injector orifice size
- Do not place articles on or against this appliance
- Do not obstruct any ventilation of the barbecue
- Do not allow children to operate or play near the Barbecue

Do not use this appliance in strong winds

- Do not store spare gas cylinders in the cabinet or near by the BBQ
- Do not use this indoors
- Do not move the appliance when in use
- Do not modify the construction of this appliance or the size of any burner, injector orifice or any other components

Failure to adhere to the above warnings may cause injury or property damage and affect your ability to make a claim under the manufacturer's warranty.

USE OUTDOOR ONLY

This appliance shall only be used in an above ground open-air situation with natural ventilation, without stagnant areas, where gas leakage and products of combustion are rapidly dispersed by wind and natural convection.

Any enclosure in which the appliance is used shall comply with the following:

An enclosure with walls on all sides, but at least one permanent opening at ground level and no overhead cover.

Within a partial enclosure that includes an overhead cover and no more than two walls.

Within a partial enclosure that includes an overhead cover and more than two walls, the following will apply:

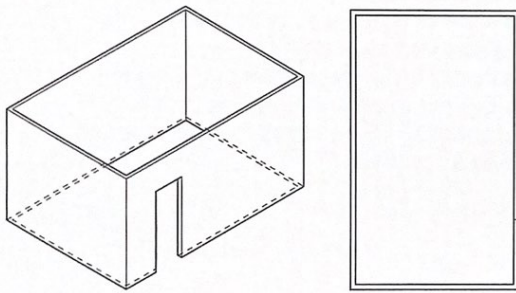
at least 25% of the total wall area is completely open, and

at least 30% of the remaining wall area is open and unrestricted.

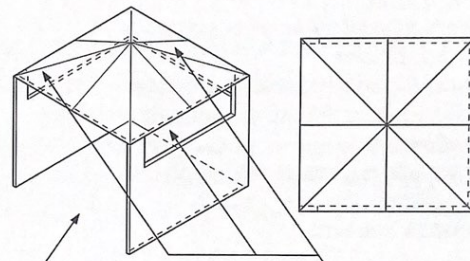
In the case of balconies, at least 20% of the total wall area shall be and remain open and unrestricted.

DIAGRAMMATIC REPRESENTATIONS OF OUTDOOR AREAS

The following figures are diagrammatic representations of outdoor areas. Rectangular areas have been used in these figures – the same principles apply to any other shaped area.

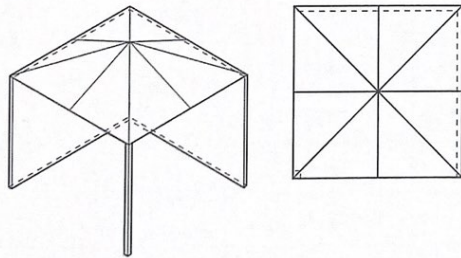


Outdoor Area - Example 1

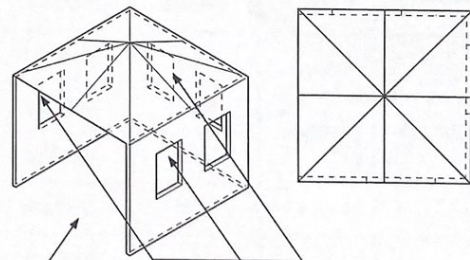


Open Side at least 25% of total wall area
30% or more in total of the remaining wall area is open and unrestricted

Outdoor Area - Example 4

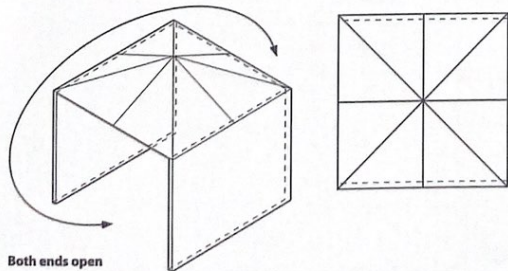


Outdoor Area - Example 2



Open Side at least 25% of total wall area
30% or more in total of the remaining wall area is open and unrestricted

Outdoor Area - Example 5



Both ends open

Outdoor Area - Example 3

CLEANING & MAINTENANCE

Cleaning Drip Tray

Drip tray shall be cleaned regularly to avoid fat and grease dripping from the barbecue. Fat fire will occur if there are fat or grease at the bottom of the fire box.

The Cooking Surfaces

Do not use pans on the cooking surface. Do not overheat the cooking surface with the hood down or no food on the cooking surface.

Natural Hazard Spiders

Beware of spiders and wasps. Burner tube should be inspected and cleaned periodically.

Protect Children

Keep children away from barbecue during use and until barbecue has cooled after you have finished. Do not allow children to operate barbecue. Always ensure that no sporting or physical activities are carried out in close proximity to the barbecue during use and while still hot.

Leak Test

A leak test must be performed prior to using the appliance for the first time or each time the gas cylinder is refilled or each time the gas hose and gas regulator is disconnected from the gas cylinders or appliance.

To Perform a leak test

1. Make sure all the control knobs are in OFF position
2. Mix up a solution of water with detergent/soap in a small container
3. Turn the gas cylinder ON
4. Use a brush or spray bottle apply the soap solution to the gas line and each join in the gas line including:
 - The gas connection at the inlet of the BBQ
 - The gas connection at the gas cylinder
 - All gas hose connections


If bubbles appear, then there is a leak

If the leak is at the hose connection, re-tighten and re-seal

If the leak is anywhere else or you cannot resolve the leak by the tightening the connection Do Not Continue and turn off the gas cylinder.

BBQ Model No	Gas Type	Number of Main BBQ Burners	Injector Size Main Burners	Injector Size Side Burner	Injector Size Rear Burner	Total Gas Consumption MJ/h	Gas Pressure kPa
ASP-001	Propane	6	Ø0.98mm	Ø1.12mm	Ø1.02mm	100.17 MJ/h	2.75 kPa
		MJ/h	12.1 MJ/h	14.9 MJ/h	12.67 MJ/h		
		6	Ø0.98mm	NA	Ø1.02mm	85.27 MJ/h	
		MJ/h	12.1 MJ/h	NA	12.67 MJ/h		
ASP-002	Natural Gas	6	Ø1.50mm	Ø1.75mm	Ø1.59mm	100 MJ/h	1.0 kPa
		MJ/h	12 MJ/h	15 MJ/h	13 MJ/h		
		6	Ø1.50mm	NA	Ø1.59mm	85 MJ/h	
		MJ/h	12 MJ/h	NA	13 MJ/h		


NATURAL GAS CONVERSION

 Gas conversion is ONLY to be performed by an authorised person. Improper installation, adjustment, alteration, service or maintenance can cause injury or property damage.

Read the instruction carefully before installing or servicing this equipment.

This appliance MUST be used or installed outdoor.

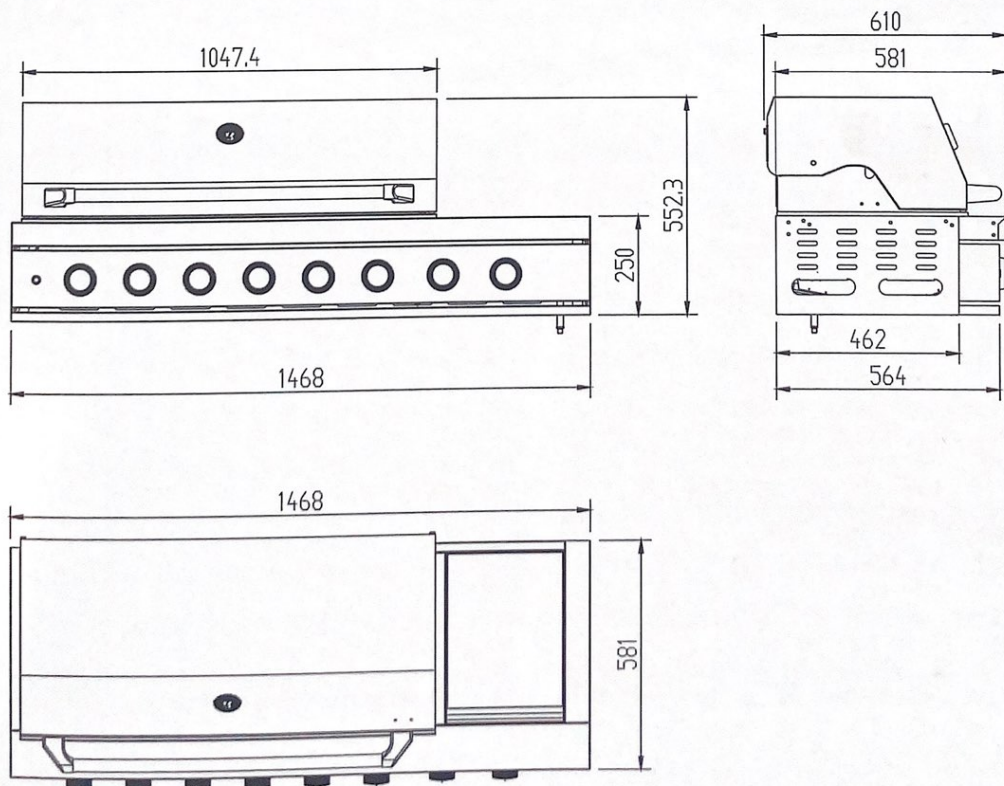
A suitable AGA approved natural gas pressure regulator must be installed in the pipeline and be set at 1 KPA.

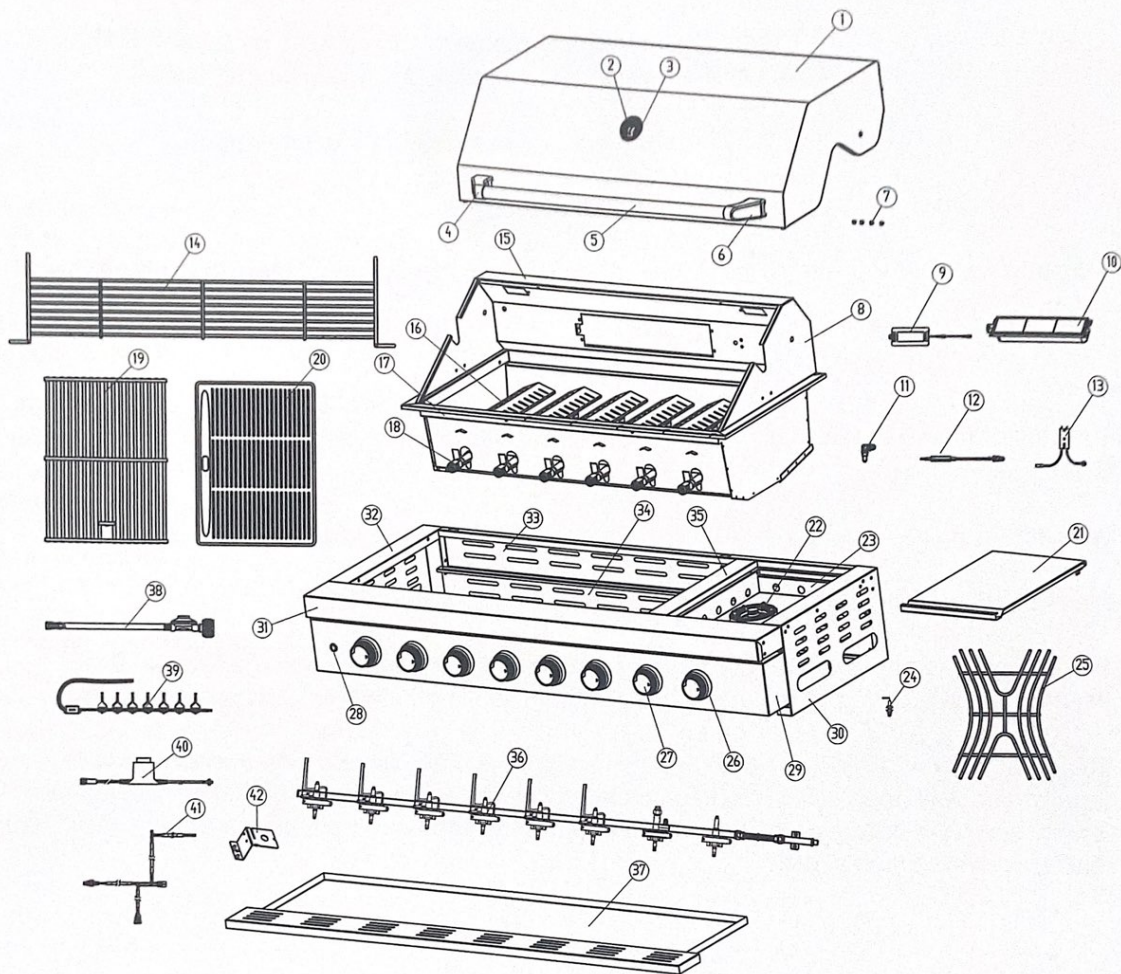
 Before conversion, make sure all the control knobs and gas cylinder are in OFF position. When checking for gas leak, do not use open flame. Use soap water and check for bubbles indicating gas leakage.

Note to the installer

There are two injectors on each valve. The outer injector is for LPG.

1. For natural gas conversion, remove the first injector (LPG) and leave the Natural Gas injector in place. Ensure the natural gas injector is still tight and in correct position.
2. To adjust the low/turndown flame setting, remove the main burner, side burner and rear burner control knobs using a long thin blade screwdriver to access the "LOW" adjustment screw. Down the centre of the valve spindle, turn the screw fully clockwise until it stops, then anti clockwise 1/8 of a turn.





Key	Description	Quantity
1	HOOD	1
2	TEMPERATURE GAUGE	1
3	TEMPERATURE BADGE	1
4	HOOD HANDLE END-LEFT	1
5	HOOD HANDLE	1
6	HOOD HANDLE END-RIGHT	1
7	BUMPER	4
8	LOWER HOOD	1
9	HALOGEN LAMP	2
10	INFRARED BACK BURNER	1
11	REAR BURNER JOINT	1
12	THERMOCOUPLE	1
13	REAR BURNER INGINITION	1
14	WARMING RACK	1
15	LID	1
16	FLAME TAMER	6
17	FIRE BOX	1
18	BURNER	6
19	COOKING GRID	2
20	COOKING PLATE	1
21	SIDE BURNER LID	1

Key	Description	Quantity
22	SIDE BURNER	1
23	SOUP PLATE	1
24	SIDE BURNER INGINITION	1
25	SIDE BURNER TRIVET	1
26	CONTROL KNOB BEZEL	8
27	CONTROL KNOB	8
28	LIGHT SWITCH	1
29	CONTROL PANEL	1
30	RIGHT PANEL	1
31	FACIA PANEL	1
32	LEFT PANEL	1
33	BACK PANEL-UP	1
34	BACK PANEL-LOW	1
35	VERTICAL PANEL	1
36	GAS VALVE ASSEMBLY	1
37	GREASE TRAY	1
38	REGULATOR	1
39	CONTROL KNOB BEZEL LED WIRING	1
40	TRANSFORMER	1
41	BODY LED WIRING LOOM	1
42	ROTISSERIE MOTOR BRACKET	1

ADBO WORLD ASPIRE GRILL WARRANTY

ASPIRE GRILLS AND CABINET LIMITED LIFETIME WARRANTY

ADBO WORLD warrants your ASPIRE grill and cabinet to be free from defects in material and workmanship under normal residential use.

LIMITED LIFETIME WARRANTY

ADBO WORLD ASPIRE tube burners, stainless steel grill, cast iron hotplate, and stainless-steel fire box are warranted for as long as you are the original owner of the ASPIRE grill. The warranty is not transferable. This warranty excludes discoloration, surface scratches, weather and atmospheric-related staining, and minor surface rust and oxidation which are normal conditions and to be expected with any outdoor product. The actual part will be repaired or replaced, free of charge, with the owner paying for all other costs, including labor and freight. Any usage of hard detergents or commercial cleaning chemicals to clean the grill will void the warranty.

THREE-YEAR LIMITED WARRANTY

ADBO WORLD ASPIRE cast brass side burner, infrared back burner, knobs, knobs base, brass valves, drip pans, tamers, and warming rack are covered under the warranty for THREE (3) YEARS under normal residential use from the original date of purchase. The actual part will be repaired or replaced, free of charge. If the part is not covered by the 1-year or 3-year warranty it is up to the original owner to pay for the part(s) and all other costs, including labor and freight.

ONE-YEAR FULL WARRANTY

ADBO WORLD warrants its ASPIRE grill, all their component parts, ignition system (excluding batteries), and electronic components (including lights and thermometers) to be free from defects in materials and workmanship under normal residential use for a period of ONE (1) YEAR from the original date of purchase. ADBO WORLD will repair or replace, at its sole discretion, any part(s), which fails or is found to be defective during the warranty period, at no cost to the original purchaser. Warranty service must be performed by a ADBO WORLD authorized representative during normal business hours. As long as you are the original purchaser, all the warranties will be honored. Warranties are not transferable.

WARRANTY LIMITATIONS and EXCLUSIONS

This warranty applies to the original purchaser(s) for products sold in the Australia and operated and maintained as intended for single-family residential usage. This warranty is valid only with original proof of purchase, shall commence on the date of purchase, and shall terminate (both as to original and any replacement products) on the anniversary date of the original purchase date of the product stated on the above schedules.

This warranty covers defects in materials and workmanship. This warranty does not cover parts that become defective as a result of negligence, misuse, use not in compliance with the Installation Instructions and Owner's Manual, accidental damage, natural disaster, improper handling, improper storage, improper installation, lack of required routine maintenance, electrical damage, local gas impurities or failure to protect against combustibles. Modifications to products that are not specifically authorized will cancel this warranty in full. Accessories, parts, valves, etc. when used must be ADBO WORLD products or this warranty is void. Warrantied items will be repaired or replaced at ADBO WORLD'S sole discretion. This warranty does not apply to rust, corrosion, oxidation, or discoloration unless the affected part becomes inoperable. The use of hard cleaning agents or degreasers outside the grill can damage the finish and void the warranty. ADBO WORLD will not be held liable for any negligence due to misuse by the original owner or otherwise.

This warranty does not cover labor or labor-related charges, except as provided by separate specific written programs from ADBO WORLD. All repair work must be performed by a qualified and certified professional service person and requires prior approval by ADBO WORLD. ADBO WORLD may require the defective product or part to be returned to the factory to determine the cause of (the) failure. ADBO WORLD will pay freight charges if the product or part is determined to be defective. This warranty does not cover breakage in shipment from our (independent) distributor to its customer(s) if the damage is determined to have occurred during that shipment.

This warranty specifically excludes liability for indirect, incidental, or consequential damages. Some provinces do not allow the exclusion or limitation of incidental or consequential damages, so the above exclusion may not apply to you. This warranty gives you specified legal rights, and you may have other rights that may vary from province to province.

Contact your authorized selling dealer or distributor ADBO WORLD directly at info@adboworld.com. Be prepared to furnish the following information: the purchaser's name, model, and serial number of the grill, date of purchase, and an accurate description of the problem. Pictures may be required to determine the issue; in some cases, a short video may also be required. ADBO WORLD will not pay for service calls for correcting an installation problem. The Owner shall be responsible for proper installation, providing normal care and maintenance, providing proof of purchase upon request, and making the grill accessible for service. In the event of any warranty replacement, all removal, replacement, installation, and shipping costs are the responsibility of the grill owner.

THANK YOU FOR YOUR PURCHASE.