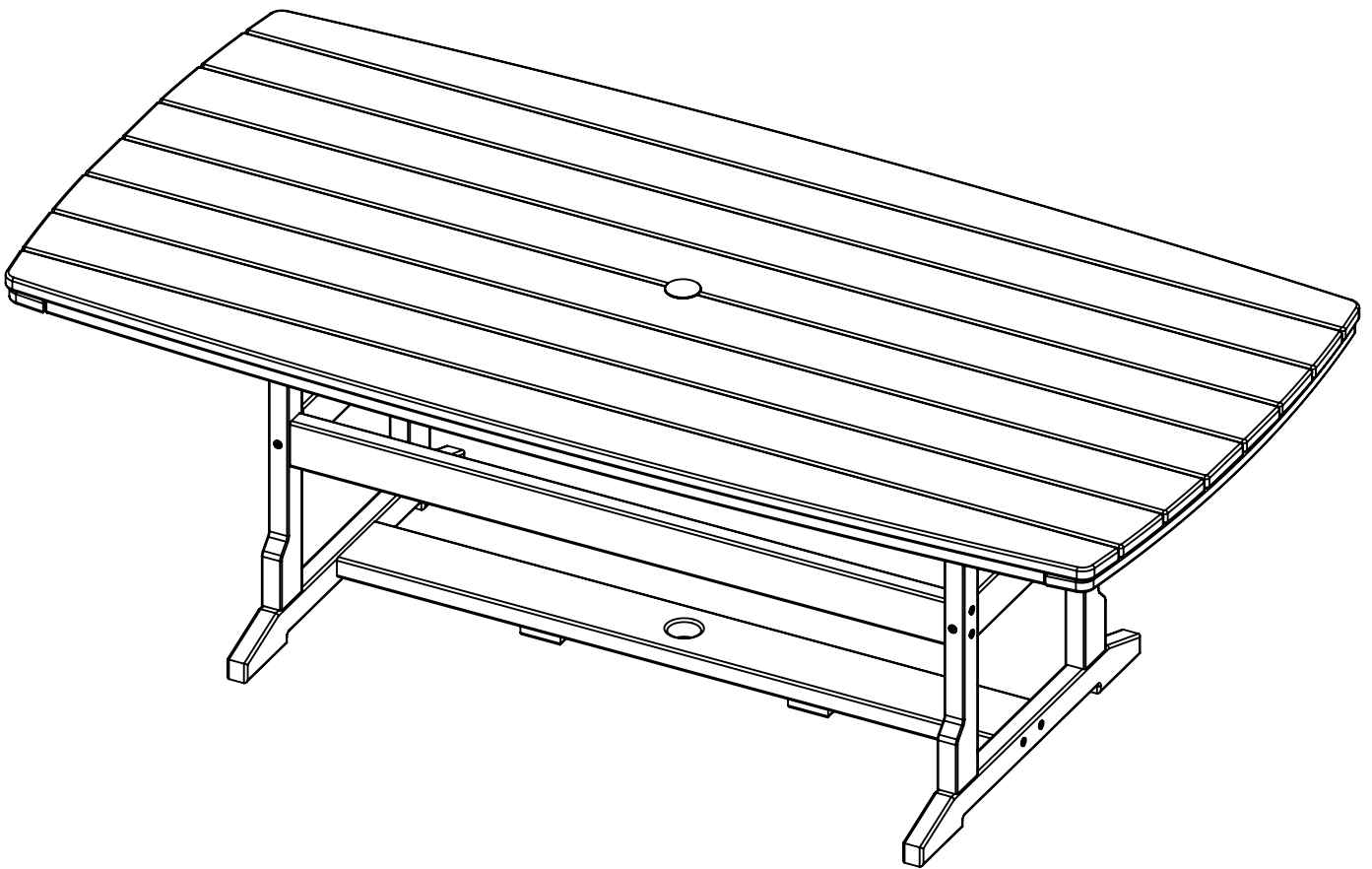
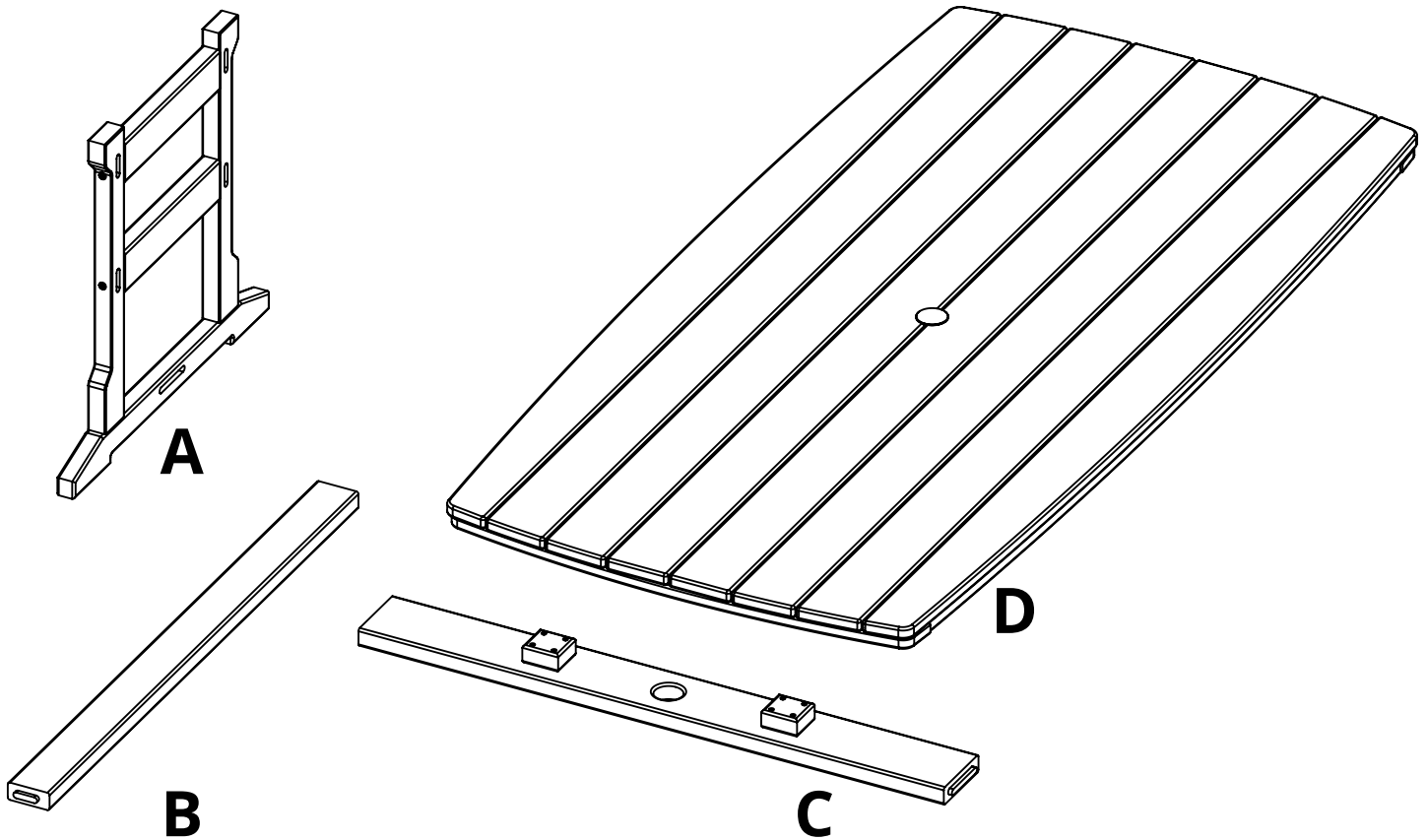


breezesta™

**42"x 84" DINING TABLE**  
DH-0711

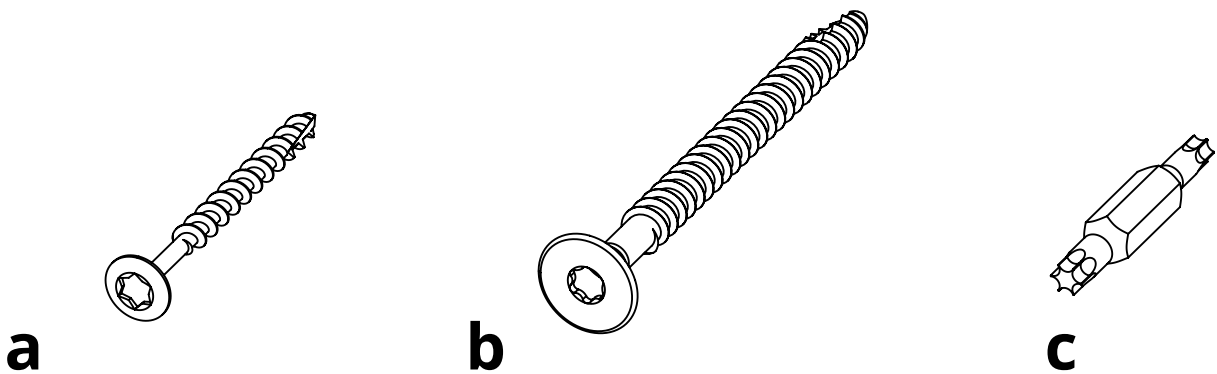


REV01-2/19



## PARTS

PART	DESCRIPTION	PART NO.	QTY
A	SIDE ASSEMBLY	SA-00318	2
B	LONG SPREADER	PRT-00557	4
C	BASE SPREADER ASSEMBLY	SA-00335	1
D	TABLE TOP ASSEMBLY 42"x 84"	SA-00330	1



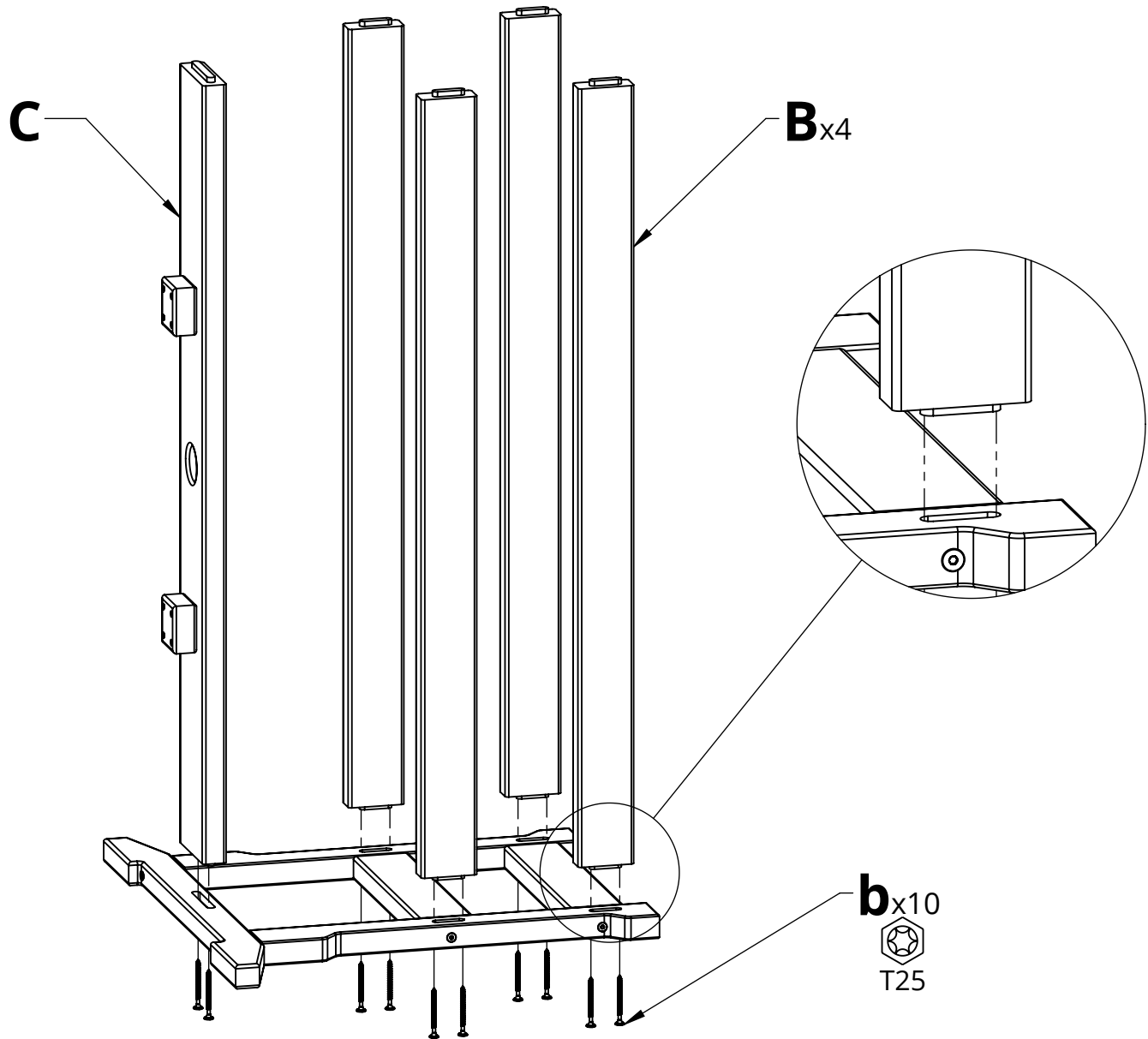
## HARDWARE

PART	DESCRIPTION	PART NO.	QTY
a	#8 X 2" TORX SCREW	H-0000-S82	4
b	1/4-10 x 3" LAG	H-0000-S103	20
c	T20 & T25 TORX BIT	H-0000-CTD	1

**Suggested Tools:** Drill, Plastic Mallet

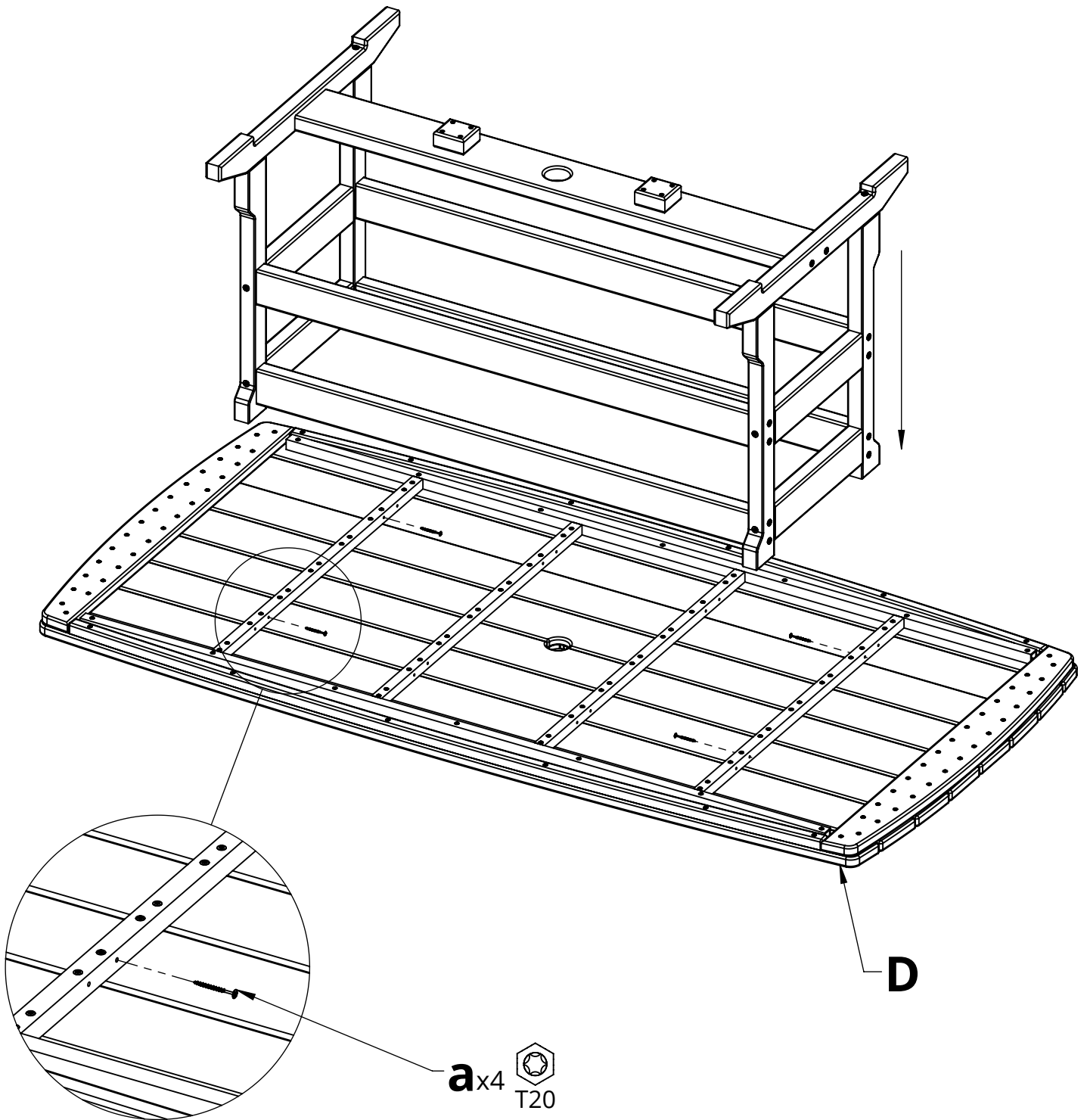
# *Please read entire instructions before beginning*

- 1.** Attach Part B and Part C to Part A using Hardware b



- 2.** Place second Part A on assembled piece from Step 1;  
Repeat Step 1

**3.** Attach Part A onto Part D using Hardware a



May be easier if assembled upside down