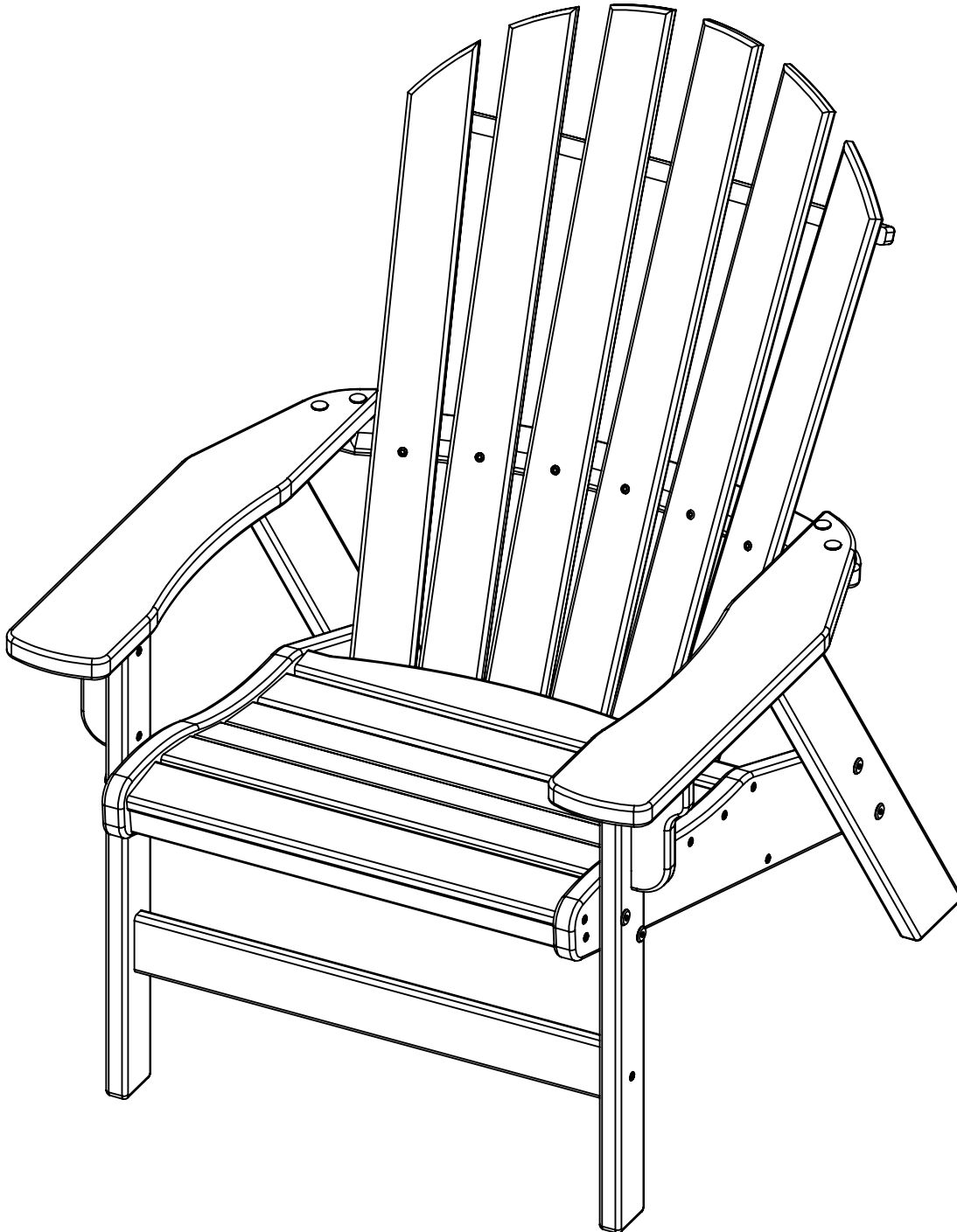
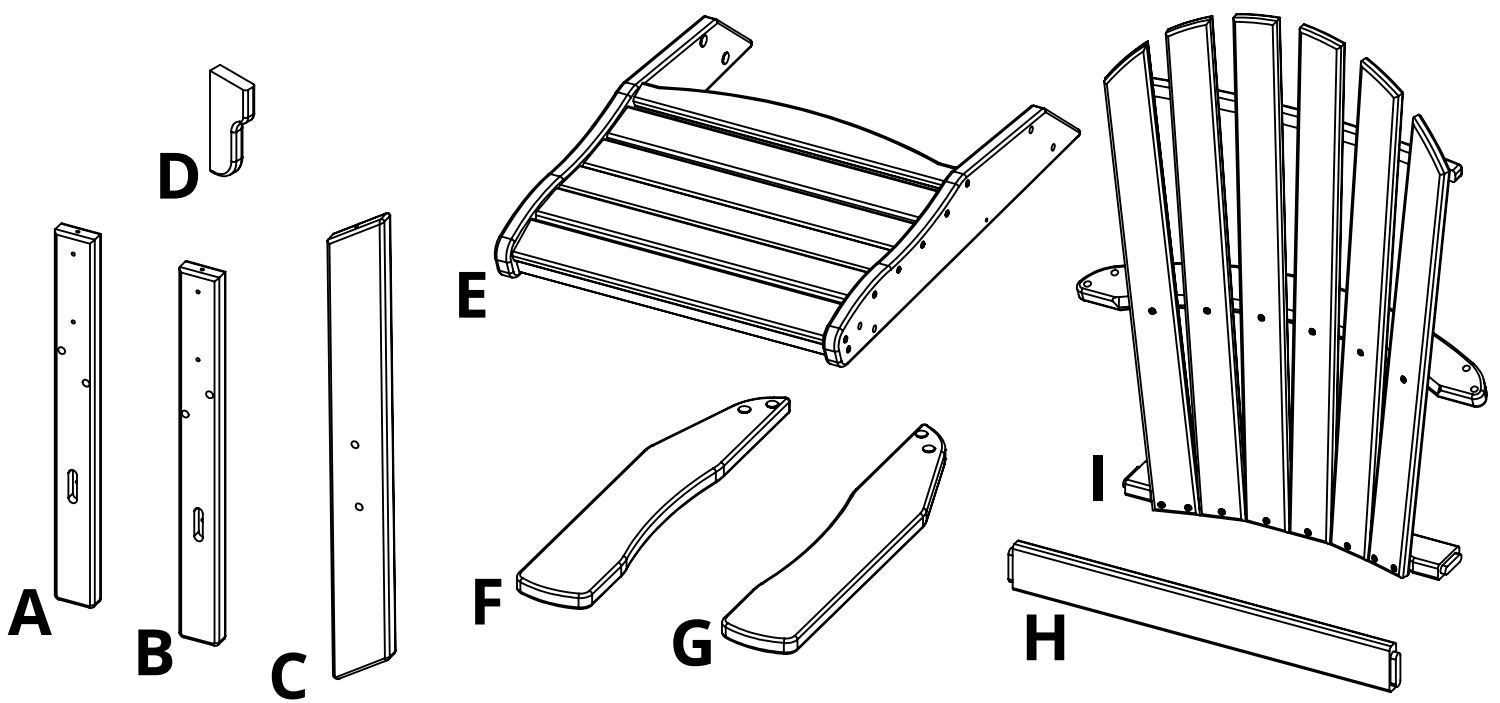


breezesta™

COASTAL UPRIGHT ADIRONDACK
CO-0400

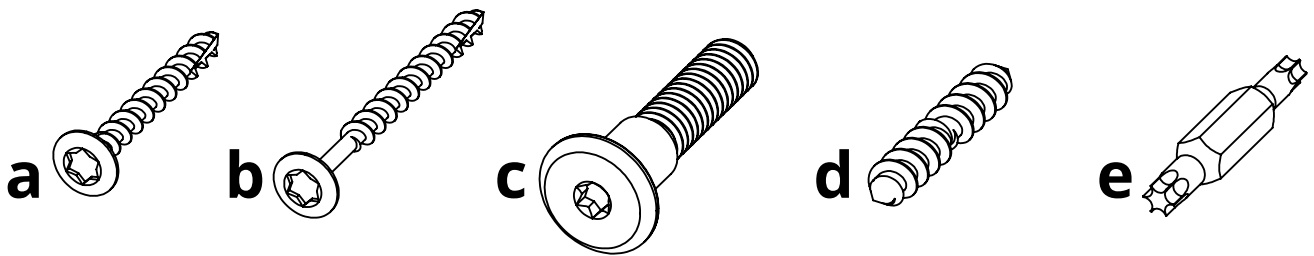


REV03-7/19



PARTS

PART	DESCRIPTION	PART NO.	QTY
A	FRONT LEFT LEG	PRT-00138	1
B	FRONT RIGHT LEG	PRT-00139	1
C	REAR LEG	PRT-00140	2
D	UNDER ARM SUPPORT	PRT-00124	2
E	SEAT ASSEMBLY	SA-00059	1
F	LEFT ARM ASSEMBLY	SA-00057	1
G	RIGHT ARM ASSEMBLY	SA-00058	1
H	ADIRONDACK SPREADER	SS-22.187	1
I	BACK ASSEMBLY	SA-00048	1



HARDWARE

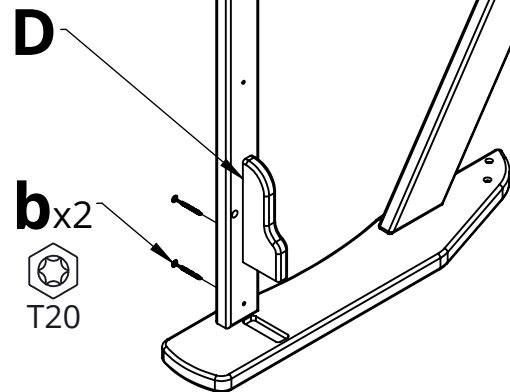
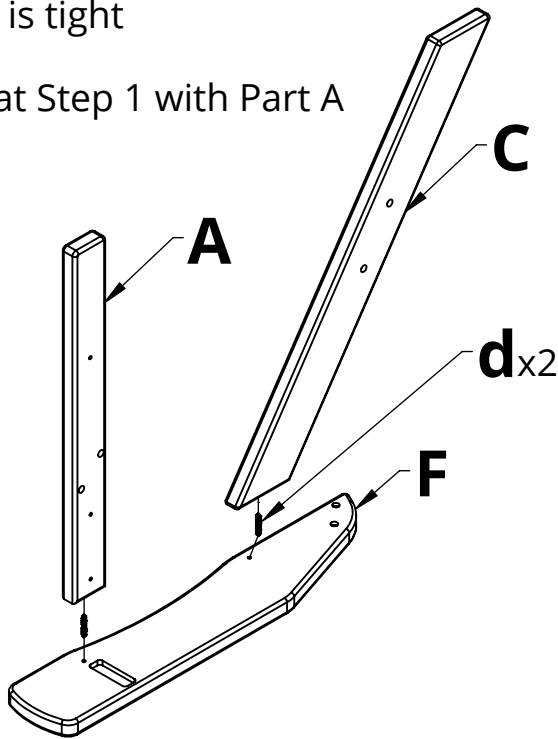
PART	DESCRIPTION	PART NO.	QTY
a	#8 X 1-1/2" TORX SCREW	H-0000-S815	2
b	#8 X 2" TORX SCREW	H-0000-S82	6
c	5/16" X 1-1/2" CHAIR BOLT	H-0000-CB51615	12
d	DOUBLE SCREW	H-0000-DS	4
e	T20 & T25 TORX BIT	H-0000-CTD	1

Suggested Tools: Drill, Plastic Mallet

Please read entire instructions before beginning

1. Attach Part C to Part F by inserting Hardware d into the pre-drilled holes and rotating Part C clockwise, stopping when the assembly is tight

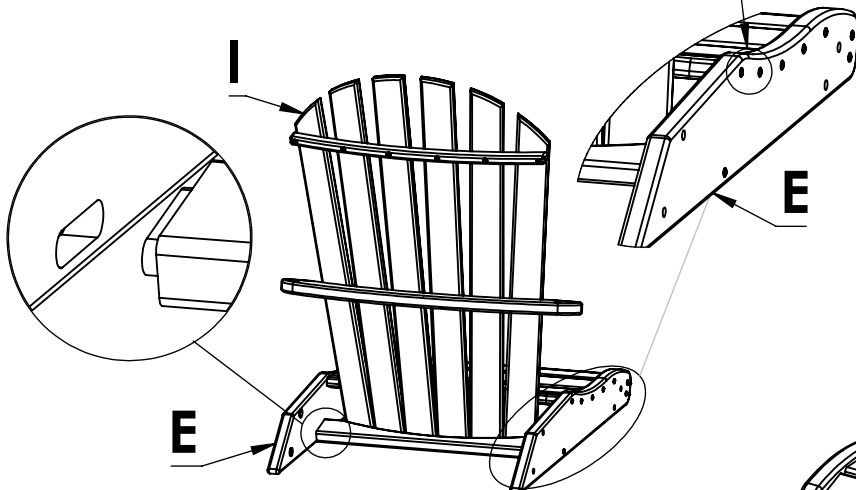
2. Repeat Step 1 with Part A



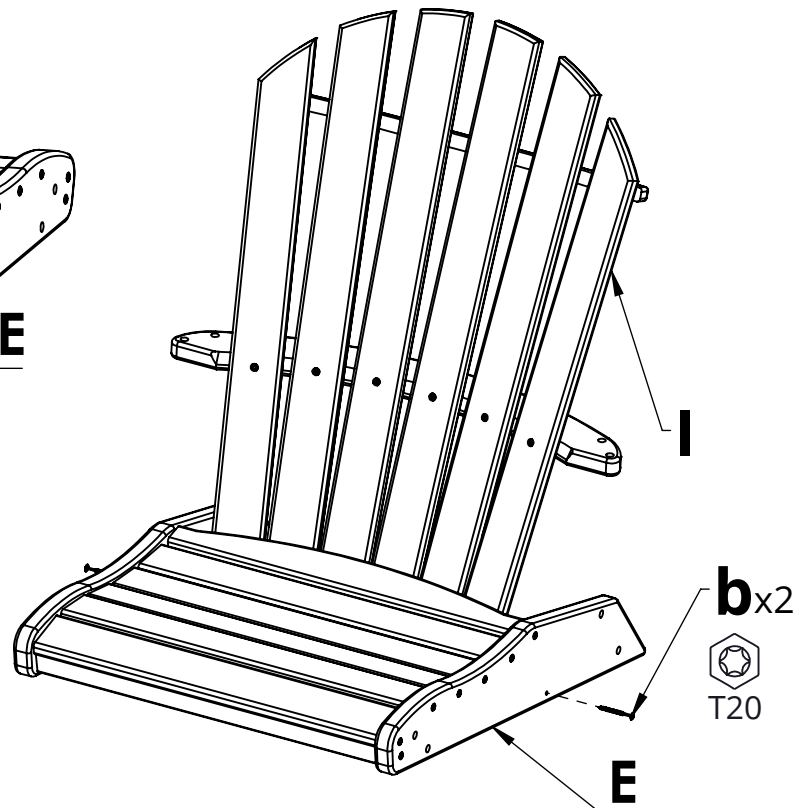
3. Place Part D into the pre-cut slot and attach it using Hardware b

4. Repeat Steps 1-2 for Parts B, C, G & D

LOOSEN (do not fully remove) 2 SLAT SCREWS ON ONE SIDE

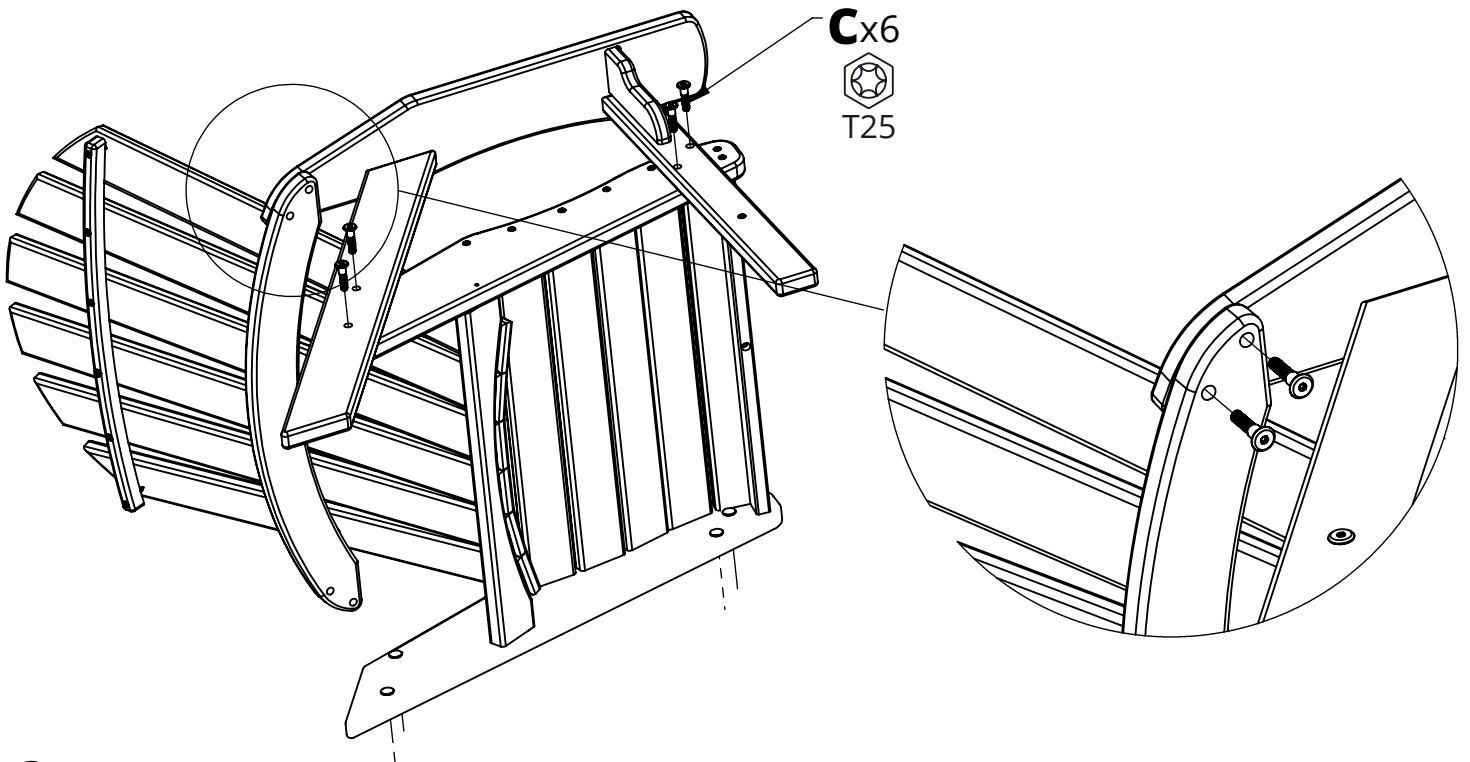


5. Loosen 2 of the seat slat screws on one side of part E. Spread the side rails of part E to insert the bottom tenons of part I into their slots as shown. Re-tighten the 2 screws in part E.



6. Use 1 of hardware b on each side to fasten part I to part E.

- 7.** Lay the seat/back assembly from Step 5/6 on its side. Fix the assembly from Step 1 to the seat/back assembly. Start by hand-tightening the two bolts (hardware c) in the back leg. Next, hand-tighten the two bolts in the front leg. Then, hand-tighten the two bolts through the middle back support up into the arm. Finally, mechanically tighten all six bolts.



- 8.** Lay the assembly from Step 7 on its opposite side and repeat the process to attach the opposite leg/arm assembly to the chair.

- 9.** Insert one tenon of part H into one of the front legs. Applying some pressure, flex the front leg to insert the opposite end of part H into its slot. Fasten using 2 of Hardware a.

