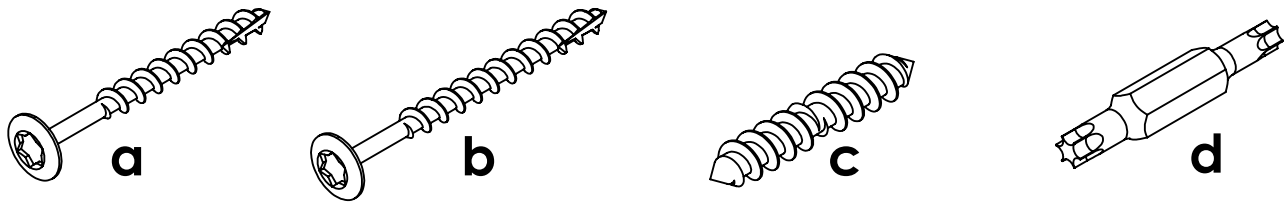
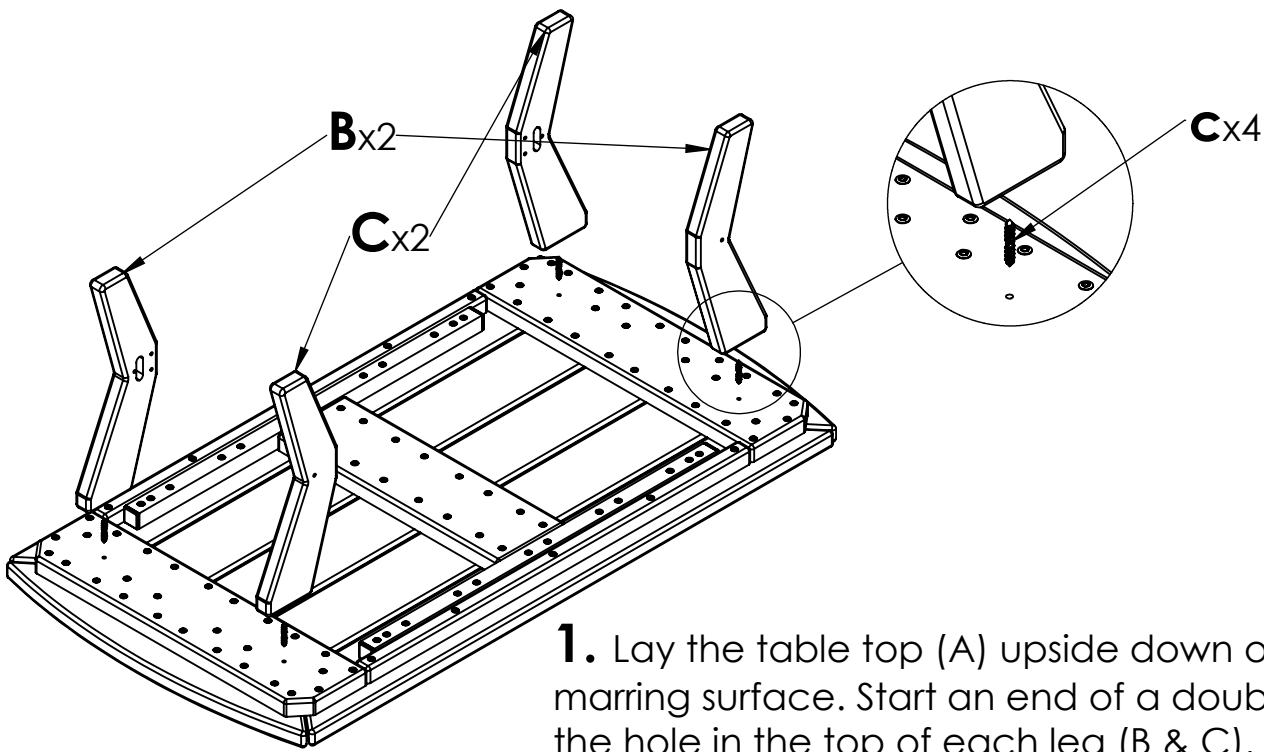


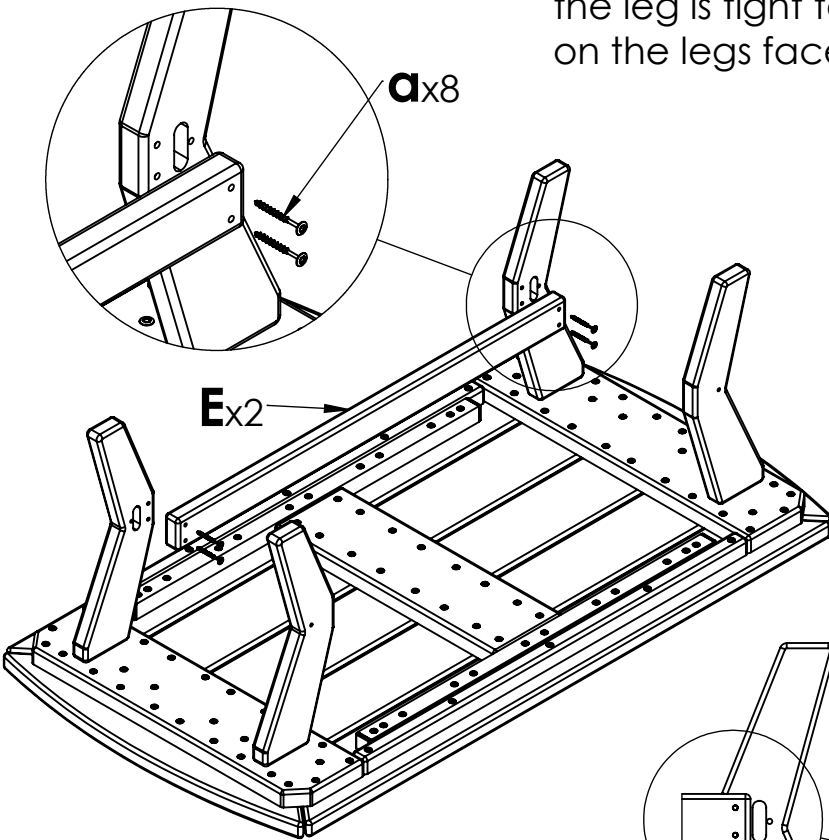
PARTS			
PARTS	DESCRIPTION	PART NO.	QTY.
A	TABLE TOP ASSEMBLY	SA-00440	1
B	LH LEG	PRT-00104	2
C	RH LEG	PRT-00107	2
D	SPREADER	PRT-00106	2
E	LONG SUPPORT	PRT-00105	2



SA-00443 HARDWARE KIT			
PARTS	DESCRIPTION	PART NO.	QTY.
a	#8 x 1-3/4" TORX SCREW	H-0000-S8175	8
b	#8 x 2" TORX SCREW	H-0000-S82	4
c	DOUBLE SCREW	H-0000-DS	4
d	T20 & T25 TORX BIT	H-0000-CTD	1

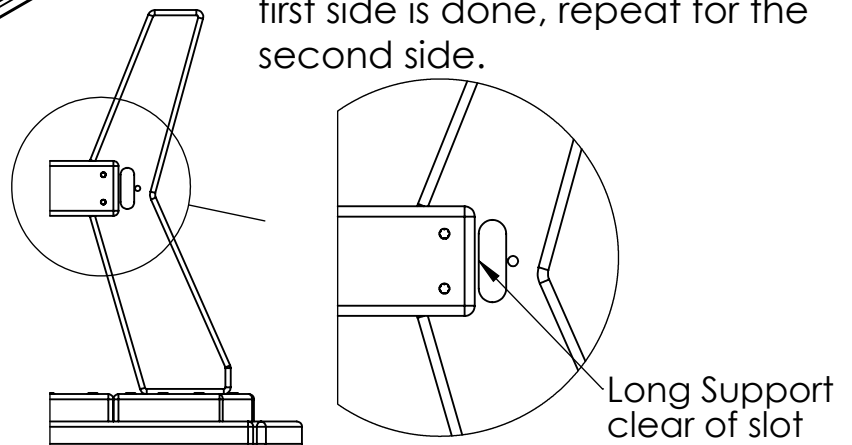


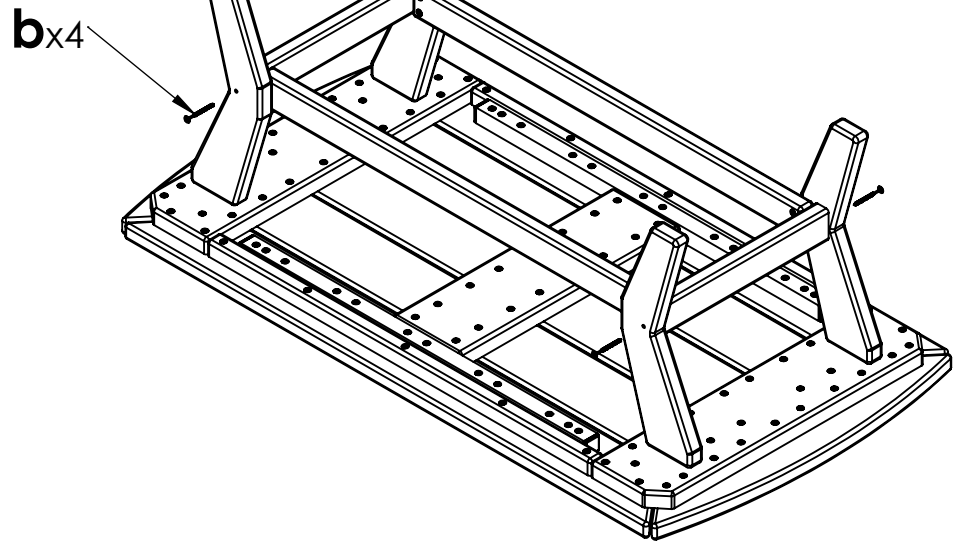
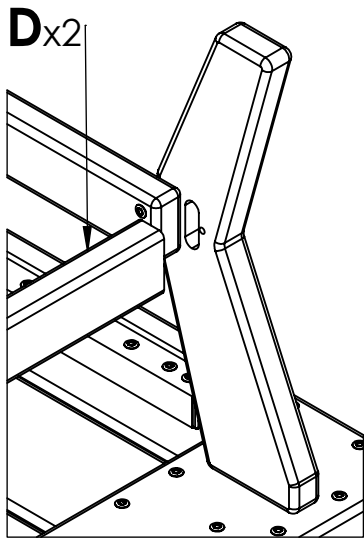
**1.** Lay the table top (A) upside down on a non-marring surface. Start an end of a double screw (c) in the hole in the top of each leg (B & C). Thread the opposite end of the double screw/leg into the open holes at the four corners of the table top. Rotate the double screw/leg assembly clockwise until the top of the leg is tight to the bottom of the table and the slots on the legs face the inside of the table.



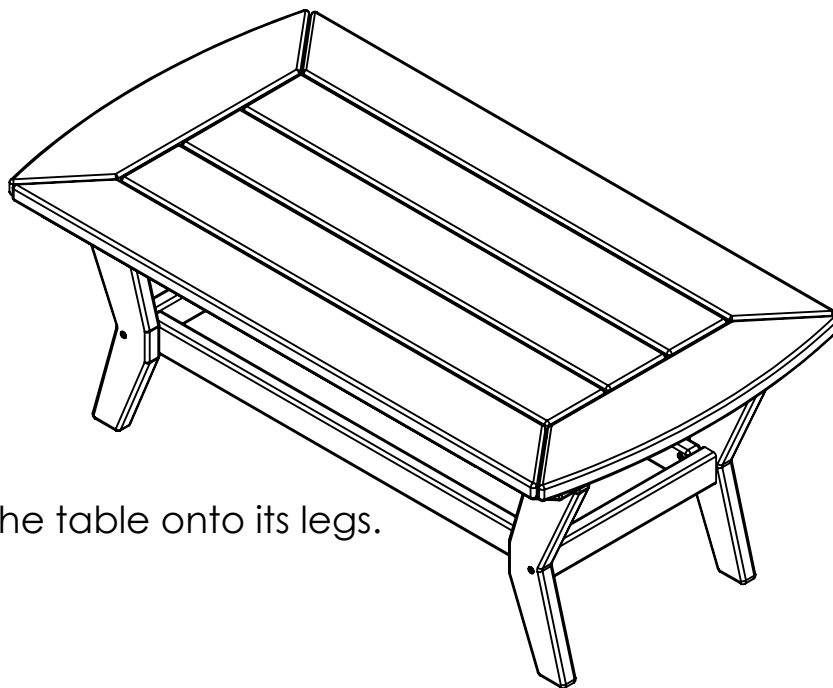
**2.** Using (4) of hardware (a), fasten a long support (E) to the inside of the the legs on one side. There are 2 shallow holes in each leg to act as a guide for the screws so the support is positioned correctly. Once the first side is done, repeat for the second side.

**TIP:** When attaching the long support, be sure it is clear of the slot in the leg.





**3.** Insert a tenoned end of the spreader (D) into the slot in a leg as shown above. The tenon is offset and should be toward the center of the chair. With some pressure, pull outward on the opposite leg and pop the other end of the spreader into the leg slot. Repeat this on the opposite end of the table. Fasten the spreaders using (4) of hardware (b), (1) screw in each end of each spreader.



**4.** Flip the table onto its legs.