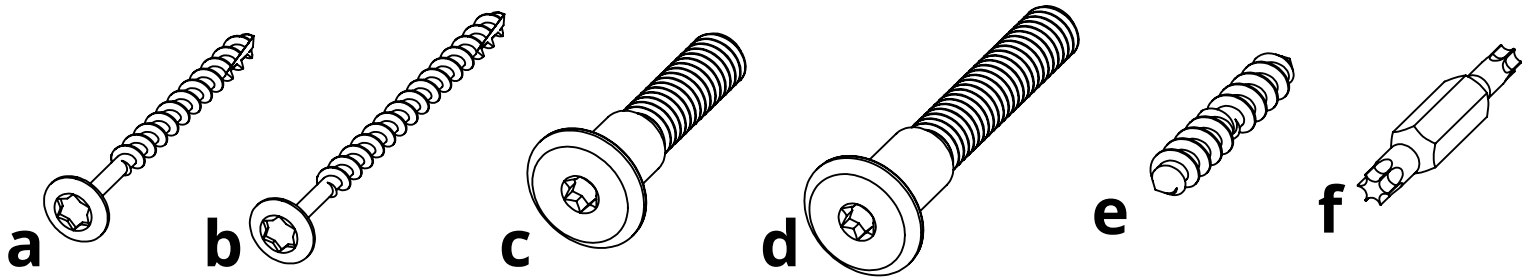


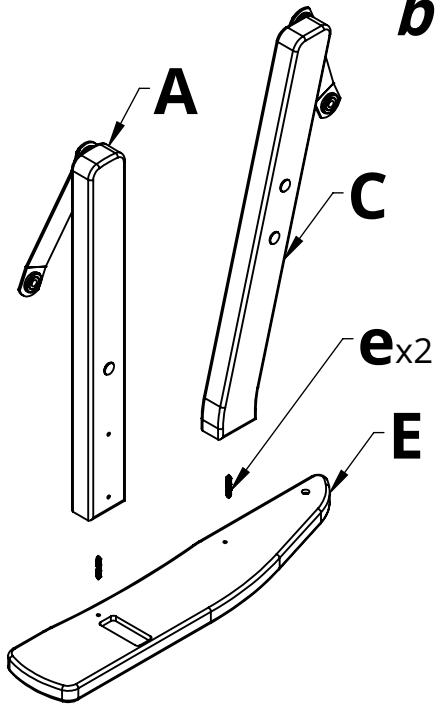
PARTS			
PART	DESCRIPTION	PART NO.	QTY
A	FRONT LEG ASSEMBLY	SA-00101	2
B	UNDER ARM SUPPORT	PRT-00146	2
C	LEFT BACK LEG ASSEMBLY	SA-00102	1
D	RIGHT BACK LEG ASSEMBLY	SA-00103	1
E	LEFT ARM ASSEMBLY	SA-00458	1
F	RIGHT ARM ASSEMBLY	SA-00459	1
G	SEAT ASSEMBLY	SA-00104	1
H	STOP BAR	PRT-00909	1
I	BASE SIDE RAIL	PRT-00192	2
J	LEFT BASE FOOT ASSEMBLY	SA-00419	2
K	RIGHT BASE FOOT ASSEMBLY	SA-00420	2
L	BACK ASSEMBLY	SA-00069	1
M	SINGLE GLIDER SPREADER	SS-11.75	2



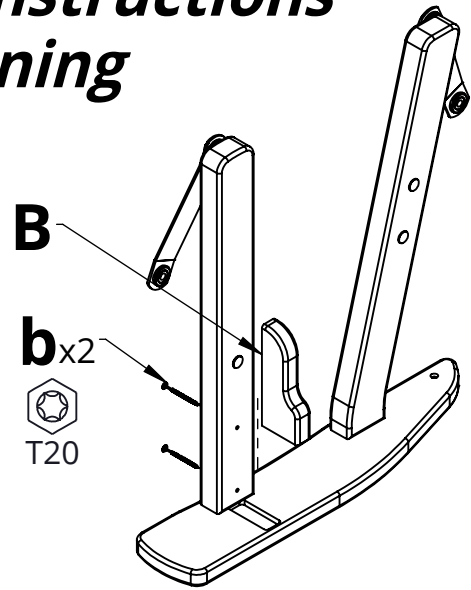
HARDWARE			
PART	DESCRIPTION	PART NO.	QTY
a	#8 X 2" TORX SCREW	H-0000-S82	10
b	#8 X 2-1/2" TORX SCREW	H-0000-S825	4
c	5/16" X 1-1/2" CHAIR BOLT	H-0000-CB51615	6
d	5/16" X 2-1/8" CHAIR BOLT	H-0000-CB516218	14
e	DOUBLE SCREW	H-0000-DS	4
f	T20 & T25 TORX BIT	H-0000-CTD	1

Suggested Tools: Drill, Plastic Mallet

Please read entire instructions before beginning

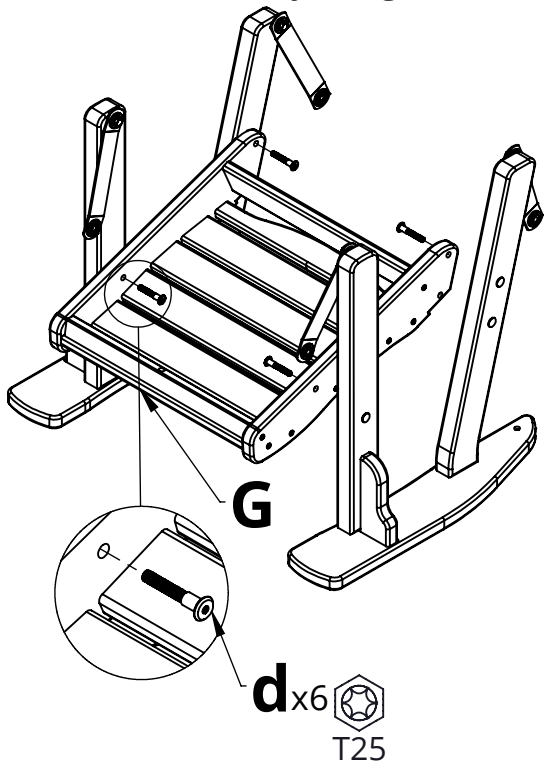


1. Starting with Part C, attach Parts C & A to Part E by inserting Hardware e into the pre-drilled holes and rotating clockwise, stopping when the assembly is tight

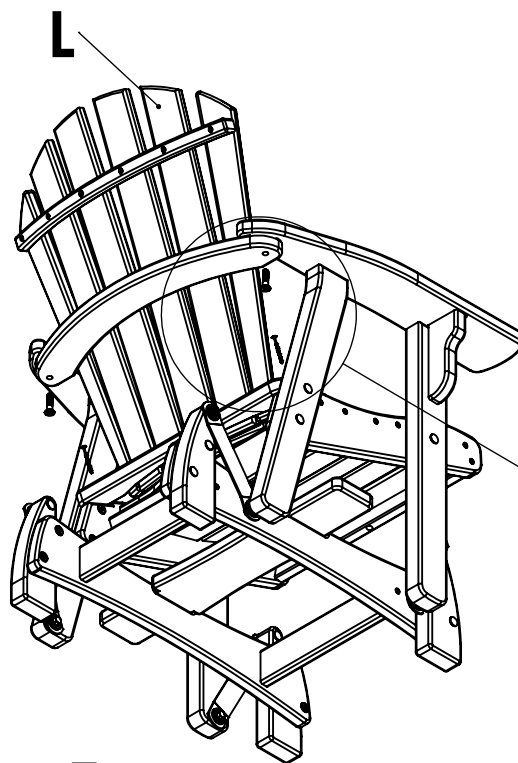


2. Place Part B into the pre-cut slot and attach with Hardware b

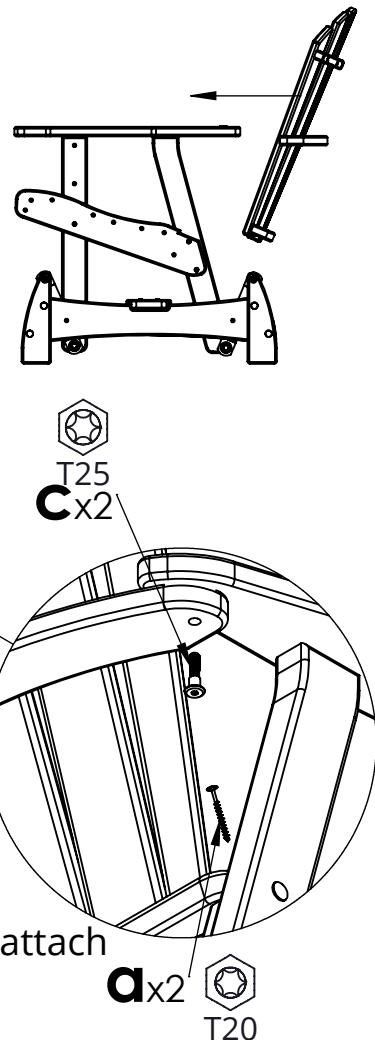
3. Repeat Steps 1 & 2 with Parts A, B, F, D

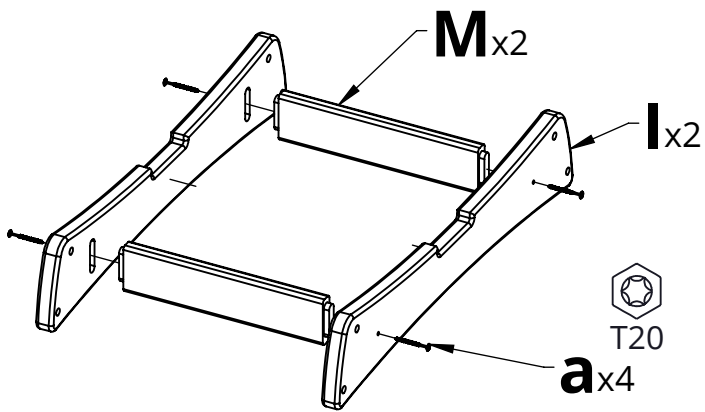


4. Attach Part G to the previous assemblies using Hardware d

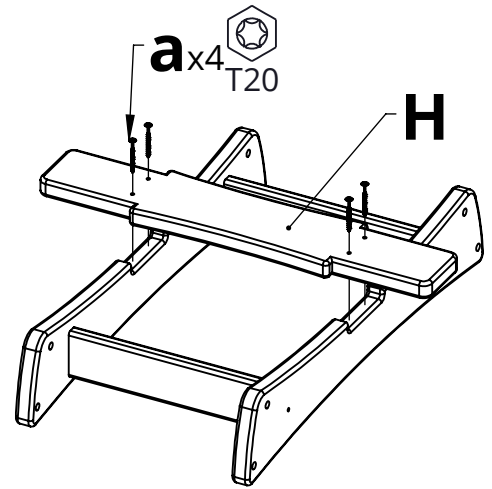


5. Slide Part L into place & attach it with the hardware shown

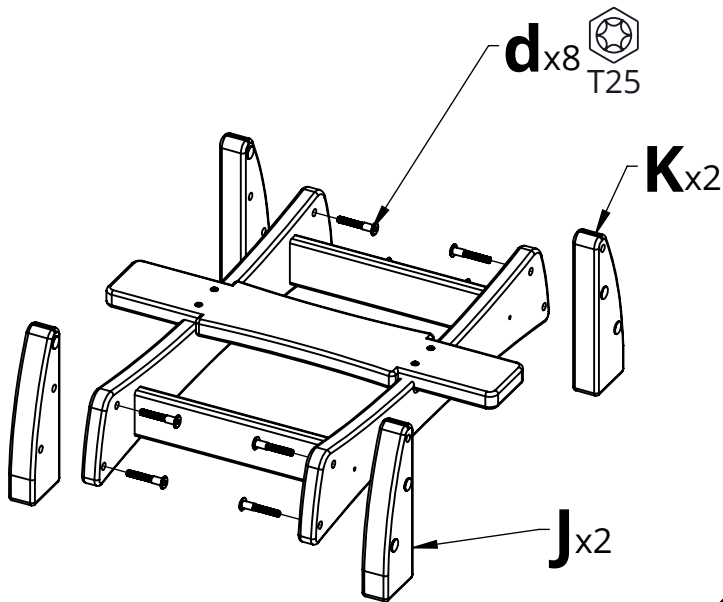




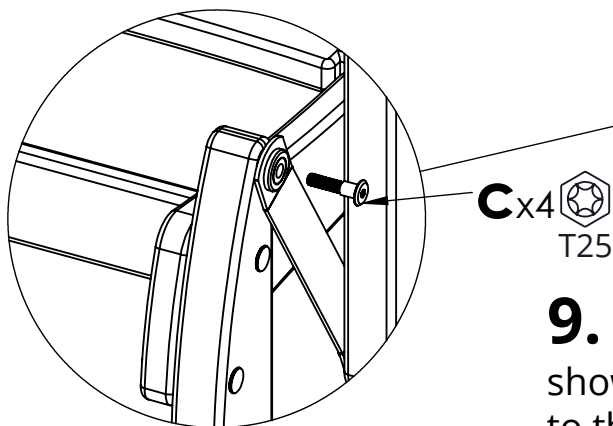
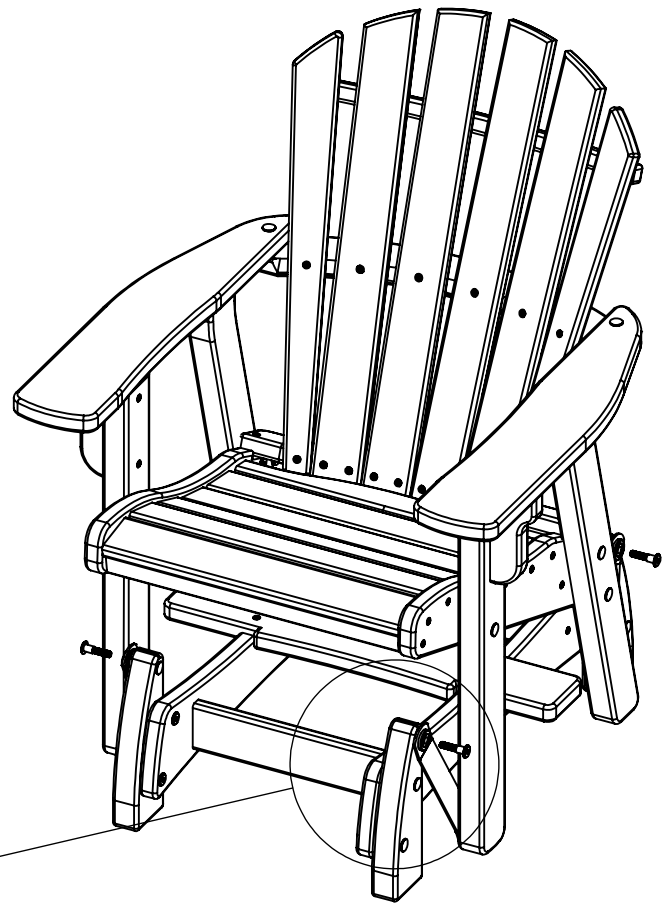
6. Attach Parts M between Parts I as shown



7. Connect Part H to the previous assembly using Hardware a



8. Attach Parts K & J as shown



9. Assemble the base to the upper as shown, starting from the front & moving to the back