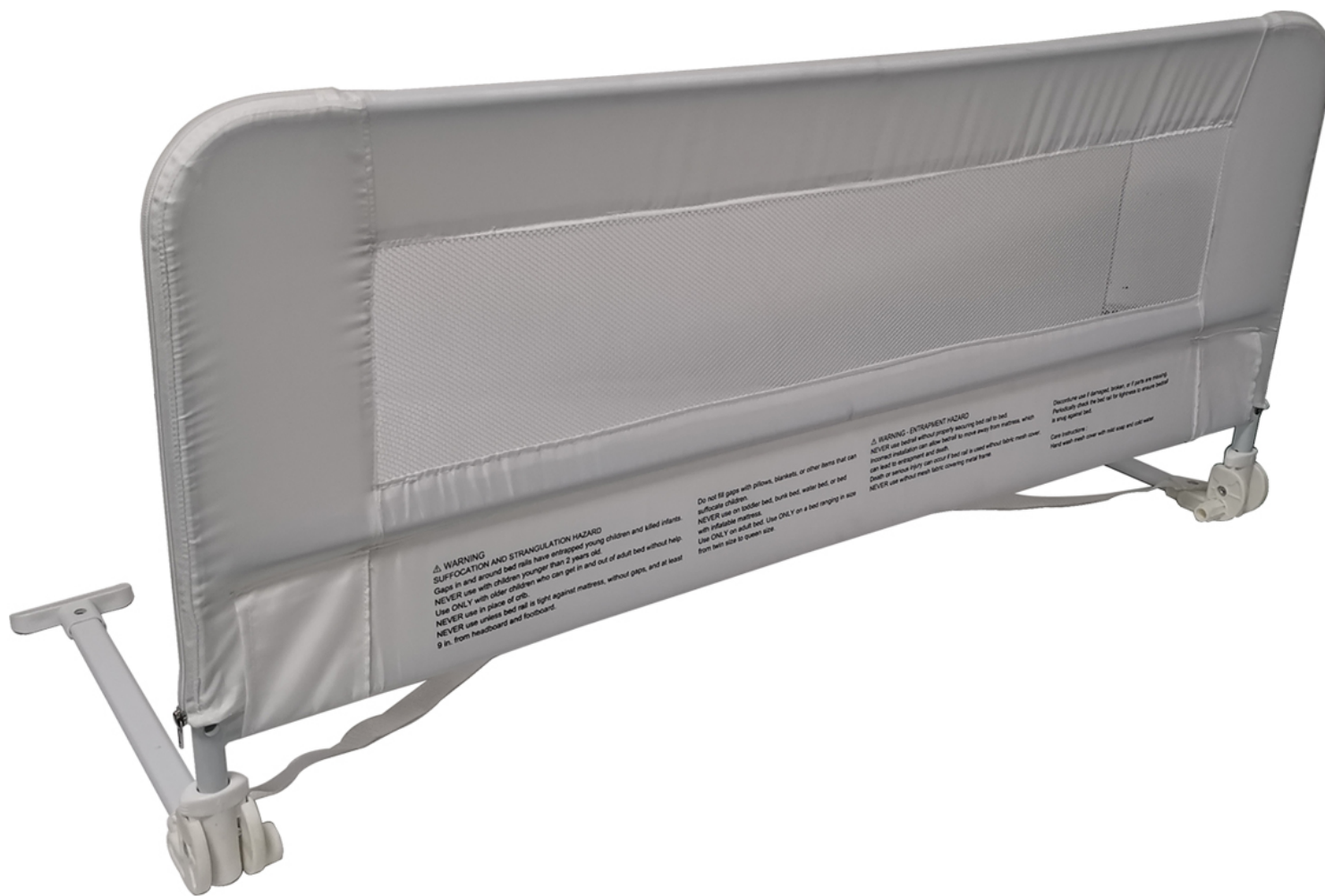


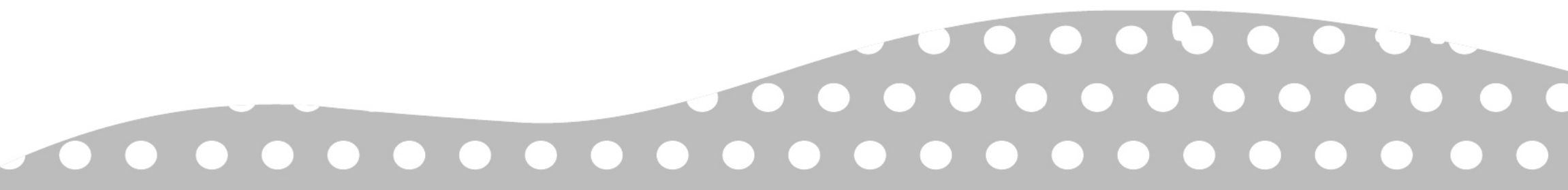


Sweet Dreams Bed Rail

Instruction Manual



Please read these instructions carefully and file for future reference.



READ ALL INSTRUCTIONS BEFORE FIRST USE.

CAUTION: ADULT ASSEMBLY REQUIRED

⚠️ WARNING

SUFFOCATION AND STRANGULATION HAZARD.

Gaps in and around bed rails have entrapped young children and killed infants.

NEVER use with children younger than 2 years old.

Use **ONLY** with older children who can get in and out of adult bed without help.

NEVER use in place of crib.

NEVER use unless bed rail is tight against mattress, without gaps, and at least 9 in. from headboard and footboard.

Do not fill gaps with pillows, blankets, or other items that can suffocate children.

NEVER use on toddler bed, bunk bed, water bed, or bed with inflatable mattress. Use **ONLY** on adult bed. Discontinue use if damaged, broken, or if parts are missing.

CLEANING INSTRUCTIONS

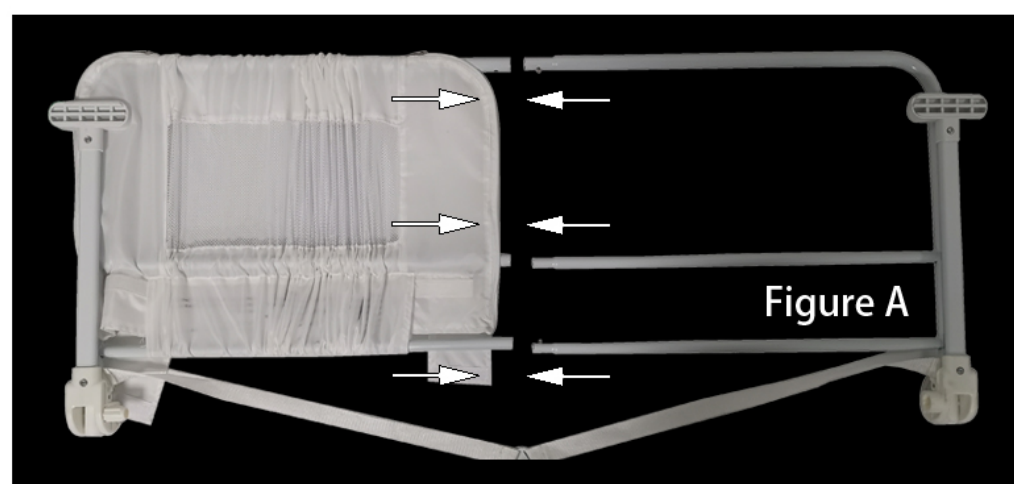
Cold machine wash mesh cover and hang dry or surface clean with a damp cloth.

For decorative cover, cold machine wash with like colors and tumble dry on low heat.

DO NOT iron.

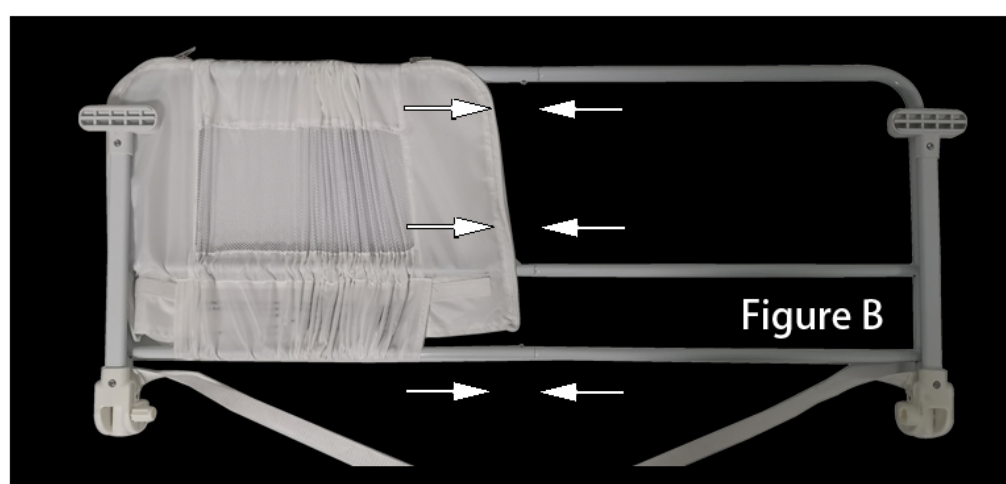
ASSEMBLY INSTRUCTIONS

Please follow these four easy steps to assemble this rail very quickly and without tools.



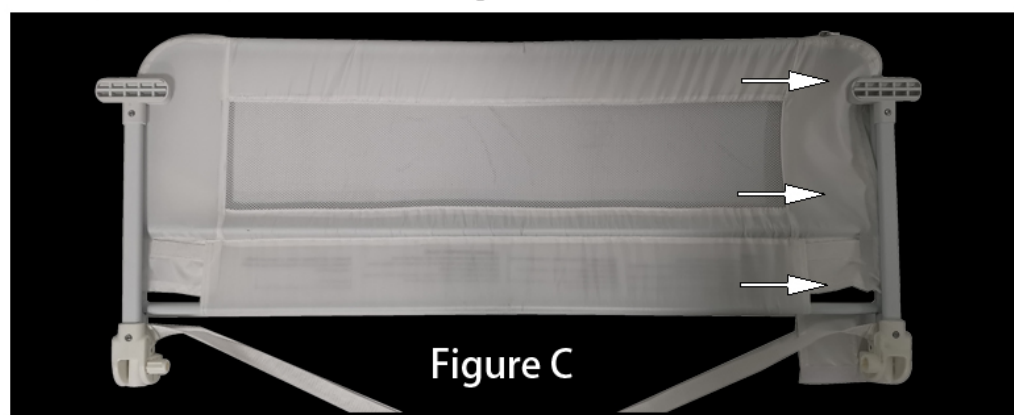
1. Before assembly, put the mesh cover over all 3 bars ensuring that the zipper is aligned on the side of the bars (Like Figure A).

Lay the 2 halves of the rail on the floor or table, so that the 3 Cross Bars line up (figure A). **NOTE: Make sure anchor straps are not twisted.**

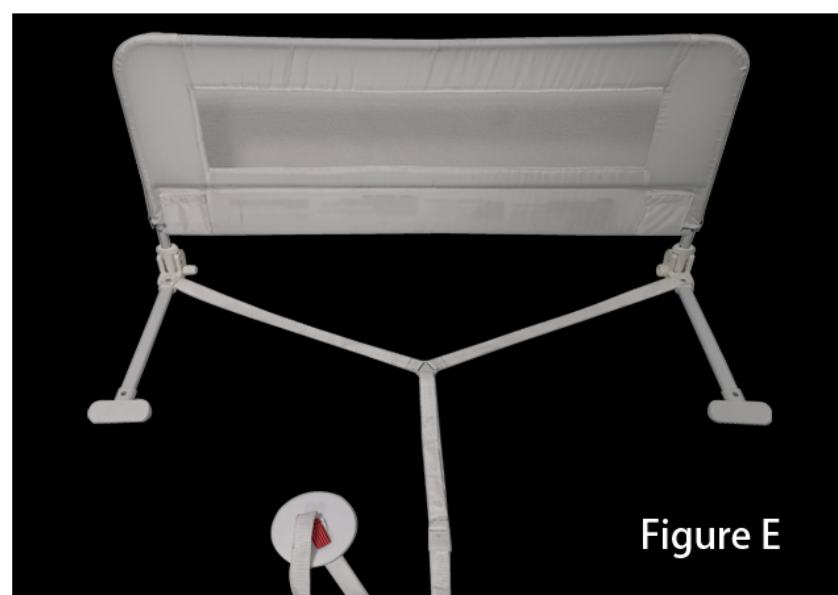
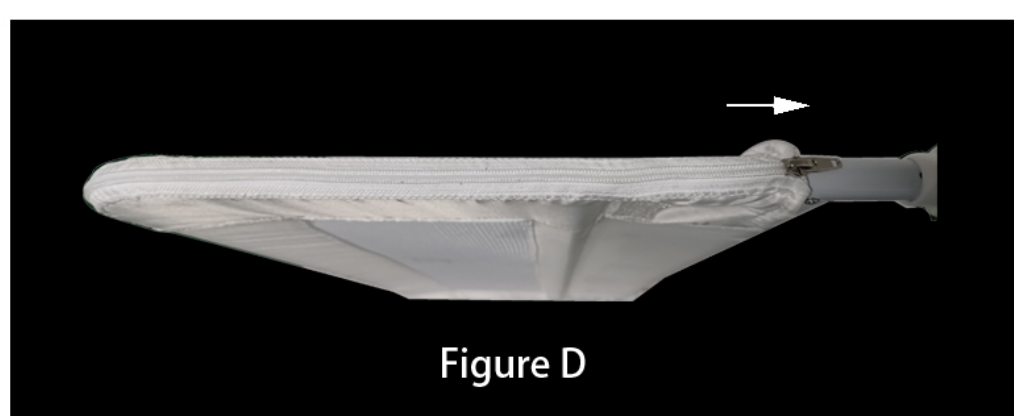


2. Connect the 3 cross bars by pushing them firmly into place, ensuring the pins on the top and bottom bars lock in place.

(Note: For Model CC54 Extra Long - When using the 3 connector bars - the thickest bar with pins goes on top, the skinny bar without pins goes in the middle, and the skinny bar with pins goes on the bottom).



3. Slide mesh cover across the entire rail (figure C). Then zip it closed (figure D).

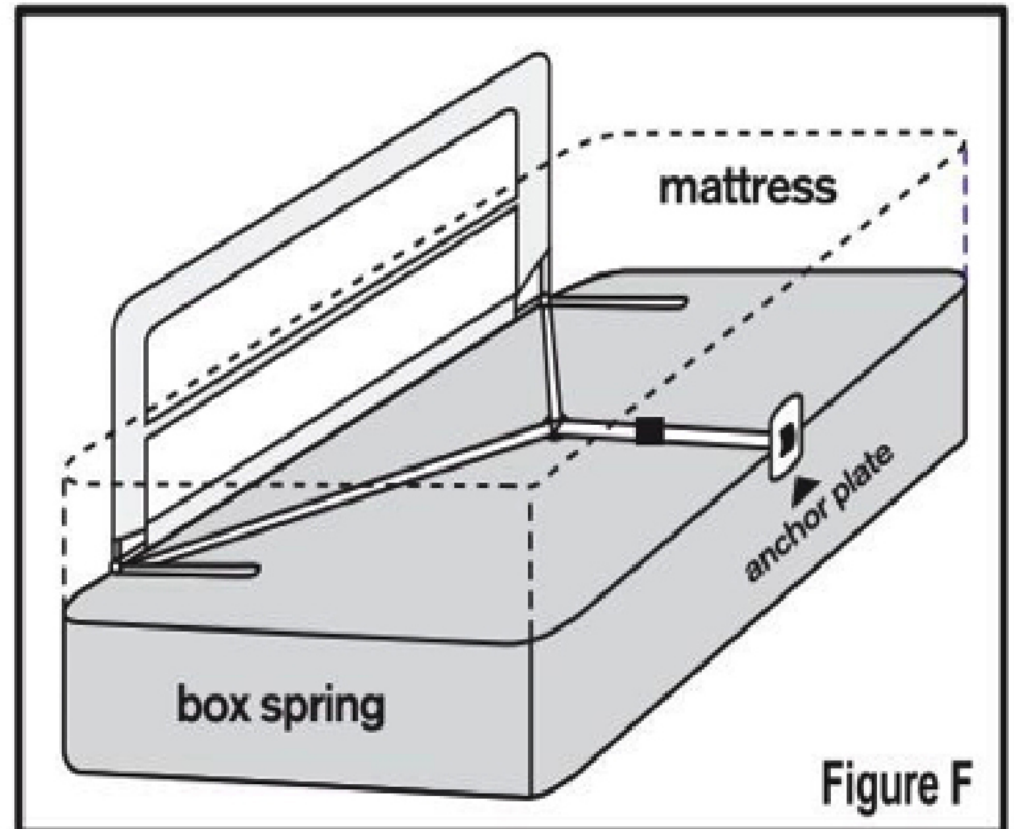


4. Open hinged legs until hinges lock firmly into place (figure E). Assembly is now complete.

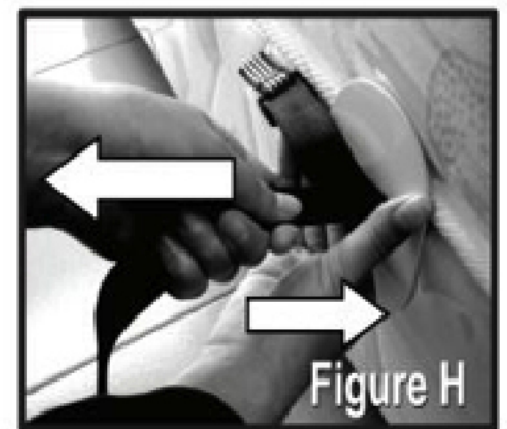
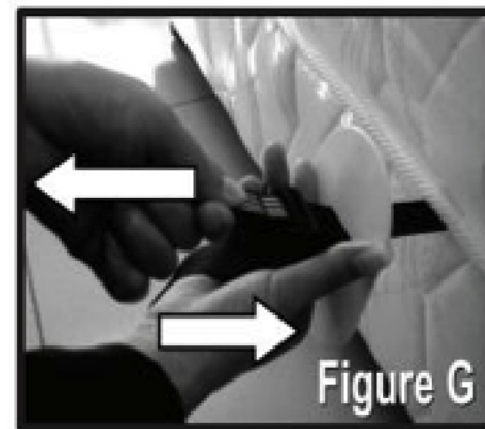
Proceed to installation instructions. Once installation is complete slide decorative cover over bed rail.

INSTALLATION AND USE INSTRUCTIONS FOR BEDS WITH BOX SPRINGS

1. Extend anchor strap and plate to maximum length.
2. Insert hinged legs into place between mattress and base.
3. Extend anchor strap and plate so that anchor plate is in position for tightening. (Fig.F)
4. Pull red striped tag toward you while pushing the anchor plate forward with opposite hand, pressing anchor plate firmly against the mattress and box spring.(Fig G)
5. Release grip on the red striped tag and pull the lower strap toward you until anchor plate is snug against mattress and base (Fig H)



IMPORTANT: to insure bed rail is as tight as possible against mattress and base, raise the mattress and tighten the strap slightly. Then lower the mattress and pull the anchor plate back and firmly into place. Repeat this step as needed and until tight.



6. Tuck the remaining length of the strap under the mattress, out of the way of children.
7. This rail is designed with childproof hinges for added safety, therefore, to lower your rail, you must raise each (both left and right) spring-loaded hinge at the same time. The hinges each display an arrow pointing upwards in the direction you must raise the hinge to disengage it. Once the spring is raised, you can gently lower the rail. This will allow you to easily change or make the bed. When you raise the rail back to the upright position, the locks will automatically pop back into place for safety.

FOR BEDS WITH SLATS

Wrap Velcro straps around the slat and bed rail leg so it is tight and secure.

Include the main frame of the bed or another part of the bed frame if possible.

