

KOLD-DRAFT

ice machines • bins • crushers • dispensers

Project Name:

Location:

Item:

Qty:

Model:

Model KDBIN230 / KDBIN400 / KDBIN650 / KDBIN950 ICE STORAGE BINS



MODEL NUMBER	STORAGE CAPACITY	WIDTH (W)
KDBIN-230	230 lbs	30.25"
	104 kg	768 mm
KDBIN-400	400 lbs	30.25"
	181 kg	768 mm
KDBIN-650	660 lbs	42"
	299 kg	1067 mm
KDBIN-950	950 lbs	48"
	431 kg	1220 mm

Small to medium capacity ice storage bins for use with all major commercial icemakers. Widths from 30.25" to 48" (768 to 1220 mm) and storage capacities from approximately 104 to 431 kg (230 to 950 lbs). All models standard with stainless steel exterior. All bins include stainless tops custom-cut to accommodate virtually any ice machine.

Wide Range of Models to Meet Varied Needs

- Four models to meet a wide range of space and capacity requirements
- Wider bins accommodate larger icemakers and side-by-side installation of smaller cubers and flakers

Convenient, user-friendly design

- Extra large door openings provide maximum access for ice removal and bin cleaning
- Extra low door sills allow users to easily reach ice at the bottom of the bin

Quality Construction Features

- Stainless steel exterior standard
- Heavy-duty support even heavy stacks of icemakers
- Non-corroding polyethylene-lined walls eliminate pitting and staining from released chlorine and makes cleaning easy
- Non-CFC polyurethane foam insulation bonds shell and lining
- Stainless steel bin tops are custom cut for specific icemaker(s) to be used
- Rigid stainless steel lift doors to withstand heavy use
- Fully replaceable gasket seals door opening to reduce meltage

Accessories

- 6" (153 mm) legs

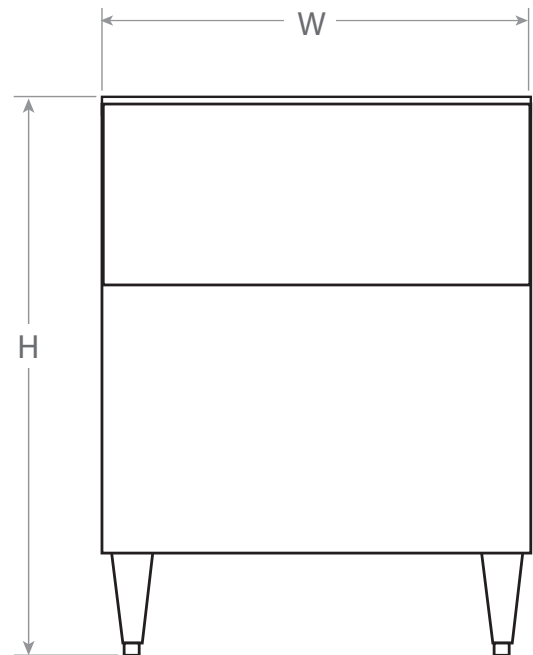
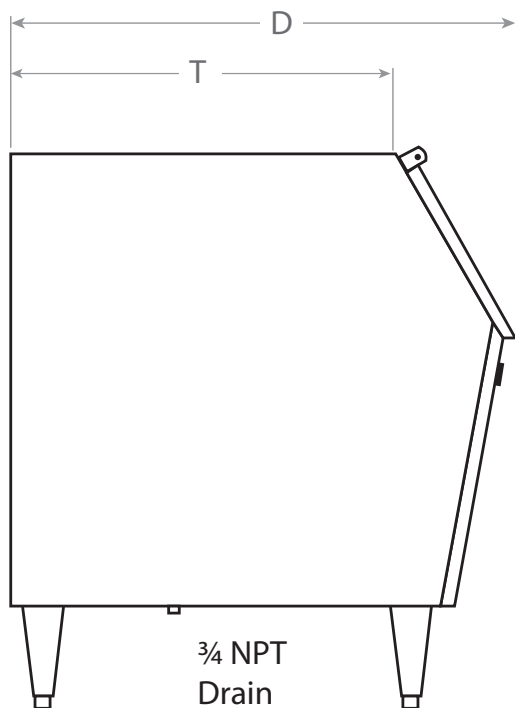
KOLD-DRAFT

1525 East Lake Road, Erie, PA 16511
Tel: 800.840.9577 www.kold-draft.com

KOLD-DRAFT

ice machines • bins • crushers • dispensers

Model KDBIN230 / KDBIN400 / KDBIN650 / KDBIN950 ICE STORAGE BINS



MODEL NUMBER	STYLE	CUBIC CAPACITY	MAX BIN CAPACITY	WIDTH (W)	DEPTH (D)	TOP DEPTH (T)	HEIGHT W/LEGS (H)	SHIPPING WEIGHT
KDBIN-230	Flat Front	6.5 cu. ft	230 lbs	30.25"	34"	26.5"	23"	112 lbs
		0.18 cu. m	104 kg	768 mm	851 mm	673 mm	584 mm	51 kg
KDBIN-400	Sloped Front	12.33 cu. ft	400 lbs	30.25"	34"	26.5"	37"	148 lbs
		0.35 cu. m	181 kg	768 mm	864 mm	673 mm	940 mm	67 kg
KDBIN-650	Sloped Front	21.5 cu. ft	660 lbs	42"	34.75"	26.5"	42"	160 lbs
		0.61 cu. m	299 kg	1067 mm	883 mm	673 mm	1067 mm	73 kg
KDBIN-950	Sloped Front	30.1 cu. ft	950 lbs	48"	31.5"	27.25"	50.75"	210 lbs
		0.85 cu. m	431 kg	1220 mm	801 mm	693 mm	1289 mm	95 kg

KOLD-DRAFT

1525 East Lake Road, Erie, PA 16511
Tel: 800.840.9577 www.kold-draft.com