

**T A N G O**

*Touch, Reach and Discover*



# TECHNICAL SPECIFICATIONS

## 55" Tango Touchscreen (TT55 V3)

### DISPLAY

Screen Type:	LED
Aspect Ratio:	16:9
Resolution:	3840 x 2160 (4K UHD)
Backlight:	EDGE type
Brightness:	350cd/m2
Contract Ratio:	1300:1 (Typ.)
Response Time:	9ms
Colour Depth:	10 bit, 1.07B colours
Viewing Angle (CR>10):	(R/L 178 (Min.), U/D 178 (Min.))
Glass:	4mm Anti-Glare
Bezel:	Stylish Aluminium Slim Type

### INPUTS & OUTPUTS

	Front	Back	Total:
HDMI In	1	3 (+1)**	5
HDMI Out		1	1***
USB (I/O):	1	4	5
USB (Touch)	1	2	3*
DisplayPort:		1	1
VGA:		1	1
Audio In:		1	1
Headphone Out:		1	1
Serial:		1	1
LAN:		2	2
SD Card:		1	1
OPS:	Slot for OPS Integrated PC Module (Intel Std.)		
Wireless:	2.4/5GHz WiFi, Integrated AP, Bluetooth		

### TOUCH

Sensor Technology:	High-Precision, Ultra-Slim IR
Touch Points:	20
Minimum Object Size:	> ø 2mm
Response Time/Accuracy:	< 8ms (1 Touch) / ± 1mm
Interactive/Stylus Type:	Hand/Passive Stylus
Multi-Touch Support:	Windows 7,8,10, Mac, Android

### INTEGRATED SOUNDBAR

Audio:	2 x 20W Forward Facing Speakers
Subwoofer:	Integrated 8W Woofer

### ANDROID

CPU:	Mstar MSD848 (A73*2+A53*2)
Memory:	System: 2GB DDR4 Flash: 32GB
Android Version:	8.0

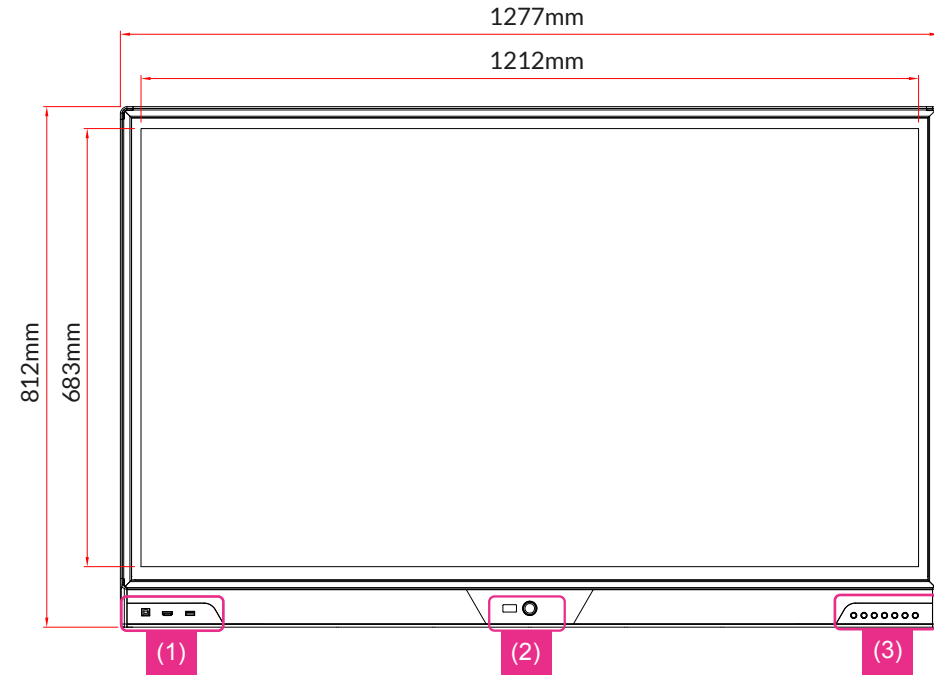
### OTHER

Built-In Functionality:	Integrated App Suite provides whiteboard and presentation environment with ability to draw/annotate over any input source. Save and share drawings/notes to USB or wireless clients.
Screen Sharing:	Wireless screen casting/sharing to and from Windows, Mac, iOS, Android, Chrome OS and Linux Clients
Front Panel Controls:	Power On/Off 7-Function key for Source, Menu, Menu Up/Down, Vol Up/Down, Touch On/Off
OSD Touch Controls:	Swipe-In Touch Interface for Android Navigation (Home/Back etc.), Source Select, Audio & Picture Controls
OSD Language:	English/Francais/Russia/Spanish/Portuguese/Deutsch/Italiano/Swedish/Norwegian/Danish/Turkish/Polski/Hungarian/Cesky/Suomi/Japanese/ Korean
Safety Standard:	CE, FCC, NRTL, RoHS
Power Supply:	AC100-240V 50/60 Hz Standby Power Consumption ≤ 0.5 W Total ≤ 200W
Operating Temperature:	0 ~ 40°C, 20% to 80% RH (no condensation)
Storage Temperature:	- 20 ~ 60°C

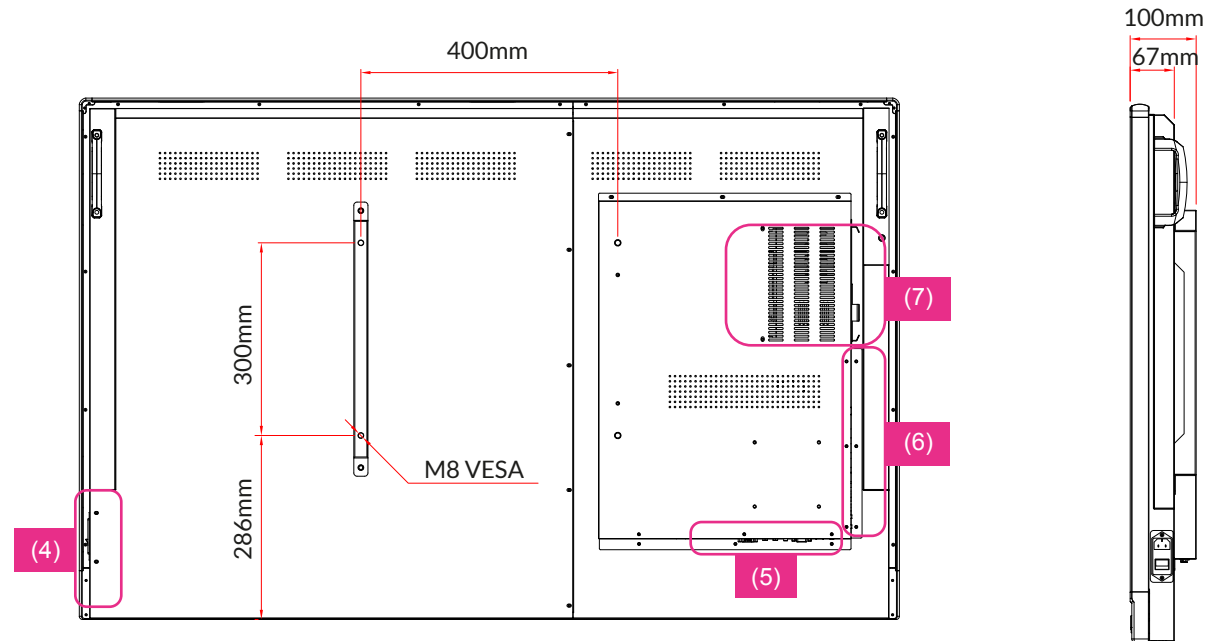
\*front usb supports full automatic passthrough switching to selected source, \*\*1 x HDMI reserved for OPS, \*\*\* Subject to availability of integrated circuits. Models may be supplied without HDMI output due to global component shortages.

# TECHNICAL SPECIFICATIONS

## 55" Tango Touchscreen (TT55 V3)



1. Front Panel Connectivity
2. Power, LED and IR Sensor
3. Front Panel Controls
4. AC In and Main Power Switch
- 5 & 6. Rear Panel Connections
7. OPS Slot



### DIMENSIONS & WEIGHT

Unit Dimensions: W:1277 x H:812 x D:100 mm (± 5mm)

VESA Mount: 400 x 300 (mm), M8 Screw

Net Weight: 42.5 Kg

Gross Weight: 50 Kg

*Specifications are believed to be correct at time of publishing, however all specifications are subject to change without prior notice.*