



43"

i3SIXTY 2

A new spin on the digital flipchart.

Minimize clutter and maximize collaboration, whether you are in breakout groups or in a small space, roll the i3SIXTY where and when you need it.

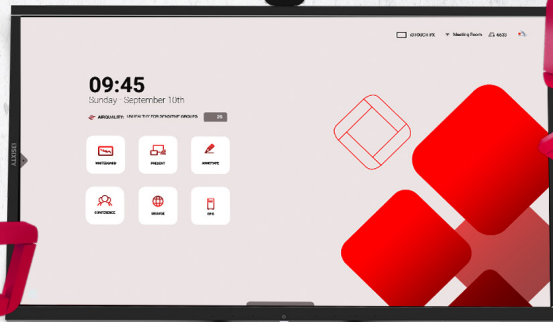
Powered by
Android 11

i3SIXTY 2

Discover the features



Optional
4K Camera



43"
Screen



Mobile
Stand

The new, mightier i3SIXTY 2.

The i3SIXTY 2 empowers small groups to achieve big results, offering a 90-degree screen rotation, ultra-precise writing experience, and the complete i3STUDIO software suite - whiteboarding, annotation, wireless presenting, and video conferencing all running on Android 11. Work in the cloud with ease and manage the i3SIXTY 2 remotely with i3RDM (Remote Display Management). The i3SIXTY 2 uses In-Cell capacitive touch technology, giving you premium clarity and an ultra-responsive writing experience. No extra layers allow you to touch the LCD directly. The same touch you know and love from your mobile device is now available for your digital flipchart.

Re-arrange your class in seconds. Turn even a tiny space into your team's favorite HQ. All thanks to the mobile stand, the slim, functional design, and a compact 43-inch display with assisted rotation.



OPERATES ON
ANDROID 11



ONE CABLE
CONNECTION



VIDEO
CONFERENCE



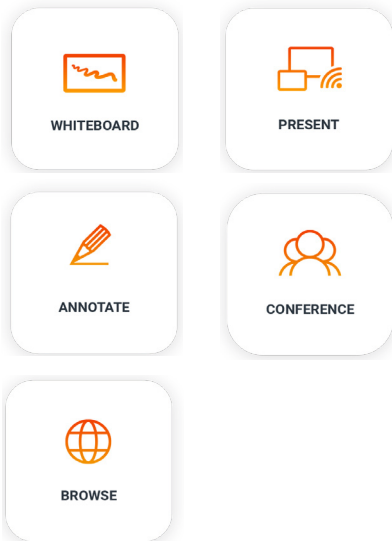
IN-CELL
TECHNOLOGY



REMOTE DISPLAY
MANAGEMENT



i3STUDIO



Free software included.

Our interactive displays are powered by i3STUDIO – our **free, pre-installed** software suite which includes: **whiteboard, annotate, wireless presenting, video conferencing.**

i3STUDIO gives you access to your favorite apps and internet browser with just **one** touch on the intuitive interface. With a state-of-the-art OTA (Over-The-Air) platform, you can be sure your device is always up to date with the latest firmware. All of this is included in i3STUDIO with **free updates, forever.**



Full stack for great performance

i3STUDIO is built on completely new and future-proof technical architecture with improved management capabilities including: notification and messaging system, integrated support, and OTA updates.



Go-to apps at your fingertips

The apps you rely on daily are available on i3STORE. Using the secure environment you can browse, install, update, and keep track of your apps on i3STUDIO. PowerPoint, Word, Zoom, digital signage, and more.



Free lifelong updates

Forever-free automatic updates. No subscription fees, hassle-free updates, and one seamless updating process - all Over-The-Air. You will always use the latest software version even if you bought your device years ago.

i3SIXTY 2

Compatible products & accessories



OPTIONAL 4K CAMERA

Equip your i3SIXTY 2 with the rotation-supported camera to make video conferences a breeze. Choose portrait or landscape orientation for your optimal video conferencing experience. The 4K wide-angle camera can easily capture the entire meeting room and the omnidirectional microphone ensures everyone is heard.

i3TOUCH

The i3SIXTY 2 is compatible with i3TOUCH displays that may be wall-mounted in your classroom or meeting room. Users can expect the same experience and can move between displays with ease. Mirror the screen of your i3SIXTY 2 to your i3TOUCH device and give more people the chance to follow your presentation or lesson.



i3RDM

Manage, maintain, and monitor your fleet of interactive displays from anywhere at any time.

i3SIXTY 2

Product specifications

Work faster



Take advantage of the advanced Octa-core Android engine because the more powerful and updated your processor, the faster your display can complete its tasks. By getting a more powerful processor, it can help you work faster.

i3STUDIO



Our interactive displays are pre-installed with i3STUDIO. i3STUDIO delivers everything you need to accomplish your best lesson, pitch, presentation or brainstorming session. Leave the room dazzled.

90° screen rotation



Toggle between landscape and portrait mode to optimize visibility of your content.

Just one cable



The i3SIXTY 2 allows devices with a USB-C connection to be connected to the screen with one cable for image, audio, touch, and camera.



Better sound



With the array of 8 built-in microphones, including omnidirectional pickup to 7 meters, nobody will be out of reach. Thanks to the noise suppression algorithm voices will be crisp and clear.

In-Cell technology



The i3SIXTY 2 uses In-Cell capacitive touch technology, giving you premium clarity and an ultra-responsive writing experience. No extra layers in between LCD-panel and your fingers.

Mobile stand



Turn any area into a collaborative workspace with the wheeled, mobile stand.

Wireless casting



Mirror the screen of your display to your other devices and give more people the chance to follow your presentation.

PRODUCT PROPERTIES

43"

Model Name	i3SIXTY 2
Product series	i3SIXTY Digital Flipchart Display
Product ID	10010312

PRODUCT SPECIFICATIONS

Display technology	a-Si TFT Liquid Crystal Display (LCD)
Panel Type	DirectLED backlight
Display aspect ratio	16:9
Display native resolution	3840 x 2160 pixels (4K UHD)
Display mode	IPS, transmissive
Brightness	280 cd/m ²
Contrast ratio	1100:1
Dynamic contrast ratio	4000:1
Viewing angle	178° / 178°
Colour depth	1.07 billion colors (10 bit)
Color Gamut	85% NTSC
Response time (typ.)	9 ms
Refresh rate	60 Hz
Glass	Antiglare, Hard coating 4H
Supported orientation	Landscape and Portrait (rotatable)

CONNECTIVITY

Digital audio-video input	2x HDMI 2.0, incl CEC, ARC
	1x DisplayPort 1.2
Digital audio-video-data ports	1x USB 3.0 Type C, incl Alternate Mode DP, and USB data
Digital audio-video output	1x HDMI 2.0
Digital audio output	1x S/PDIF Optical
Analog audio output	3.5 mm TRS headphone jack
USB Data ports	2x USB 3.0 Type A (switching via touch input)
	1x USB 3.0 Type A (Android)
Control input	COM DE-9 (RS-232 standard)
Network connectivity	2x LAN: RJ-45 connector (1000 Mbit/sec)
	Wi-Fi 5 = 802.11ac
Analog audio output	1x Audio Jack 3.5 mm TRS

OPERATIONAL SPECIFICATIONS

Operating System	Android 11
Architecture	CPU : ARM A73 (4 cores) + A53 (4 cores)
	Clock speed : 2.8 GHz
	Cores : 8
	GPU : Mali G52
	RAM : 4 GB DDR4
	Storage : 32 GB
Interactive touch	Technology: In-Cell Capacitive Touch
	Resolution : 32768 x 32768
	Accuracy : 1 mm
	Response time : < 35 ms
	Connection : 3x USB-B 3.0 + 1x USB-C 3.0
	Connection protocol: HID (Human Interface Device)
	Touch Points: 10 simultaneous multi-touch points
Loudspeakers	2x 10 Watt
Microphone	8x Microphones in Array

ACCESSOIRES

Included	Quick Start Guide
	USB-C cable
	1x Passive Stylus
	Power Cable (EU, US, UK)
	i3SIXTY Mobile Floorstand
Optional	i3SIXTY Camera Unit

REGULATORY INFORMATION

Type Approval	CE, FCC
---------------	---------

ELECTRICAL PROPERTIES

Input Power	100 ~ 240 Volt – 50/60 Hz
-------------	---------------------------

SOFTWARE FEATURES

User Interface	i3STUDIO (Fully Customizable Launcher)
Whiteboarding Software	i3WHITEBOARD
Annotation Software	i3WHITEBOARD
Screencasting Software	i3ALLSYNC Wireless Presenting
Operating System	Android 11
Update Support	OTA (Over-the-Air)
Web Browser	Chromium
Support	Apple Airplay & Google Chromecast
Conferencing	Zoom, Teams or browser-based
App Store	i3STORE (ability to download and install apps)
Remote Support	Ability to offer remote assistance (requires i3RDM license)

PHYSICAL PROPERTIES

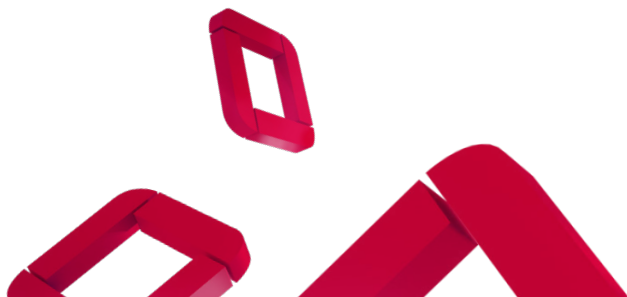
Color	Black front bezel, black back cabinet, black floorstand
VESA Mounting Pattern	VESA 400x400
Product Dimensions	74.8" x 30" x 28"

ENVIRONMENTAL CONDITIONS

Operating Temperature	32° F to 104 °F
Operating Humidity	10% to 90% RH non-condensing
Storage Temperature	-4 °F to 104 °F
Storage Humidity	10% to 90% RH non-condensing
Operating Maximum Altitude	16404.2 ft

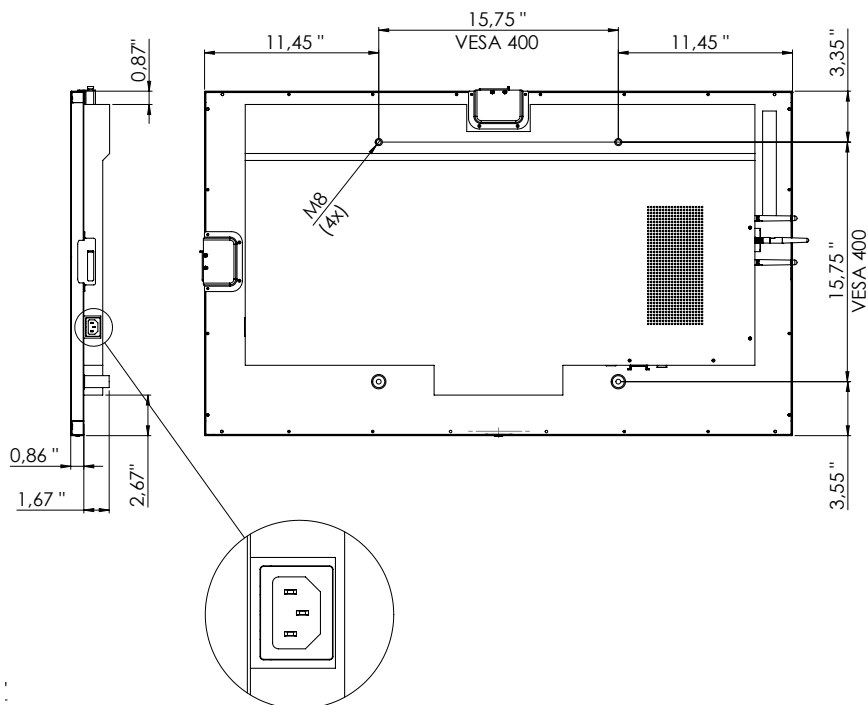
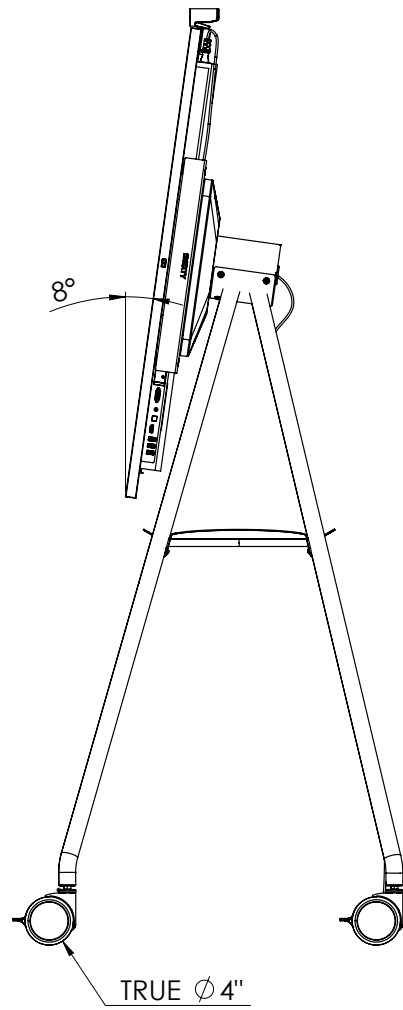
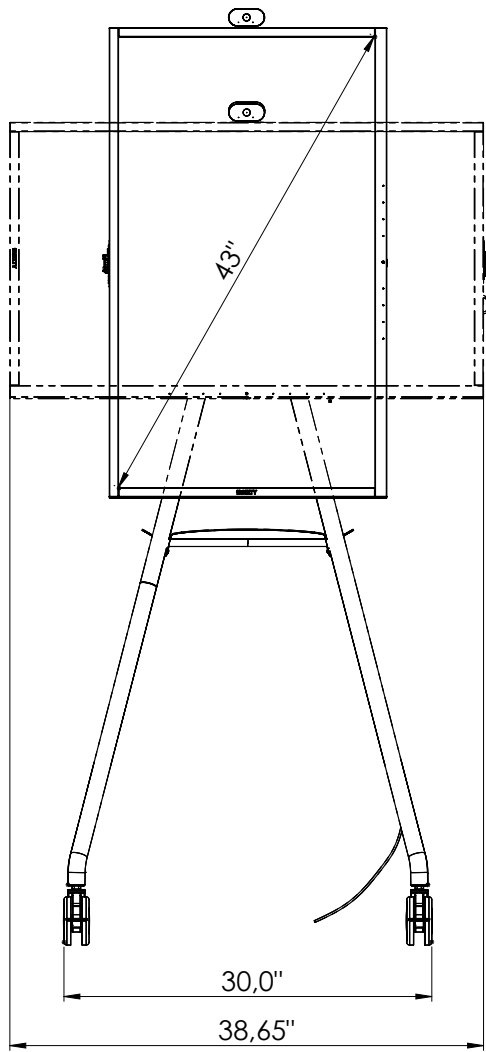
WARRANTY

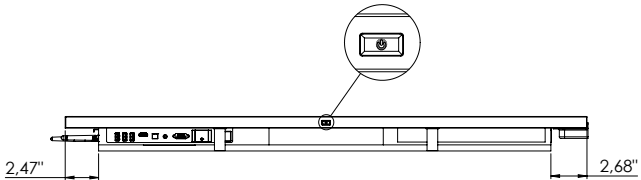
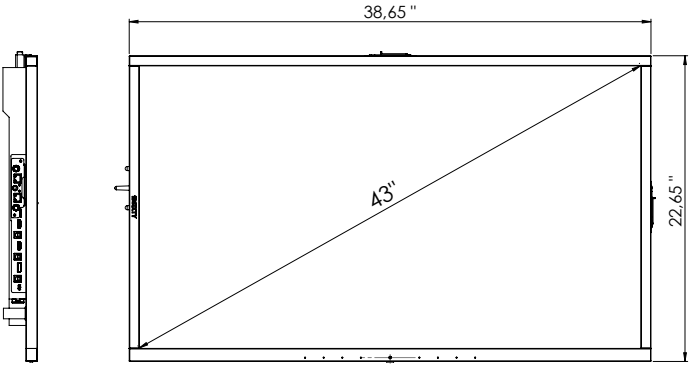
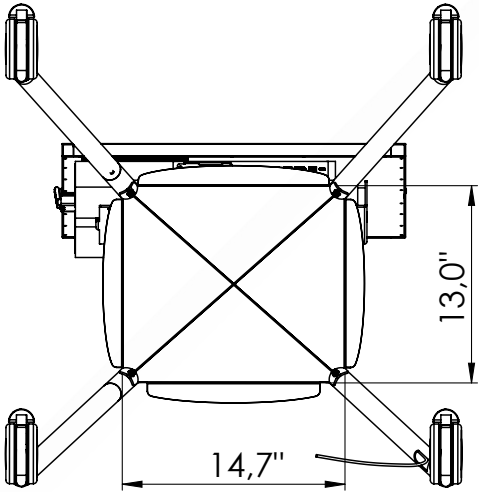
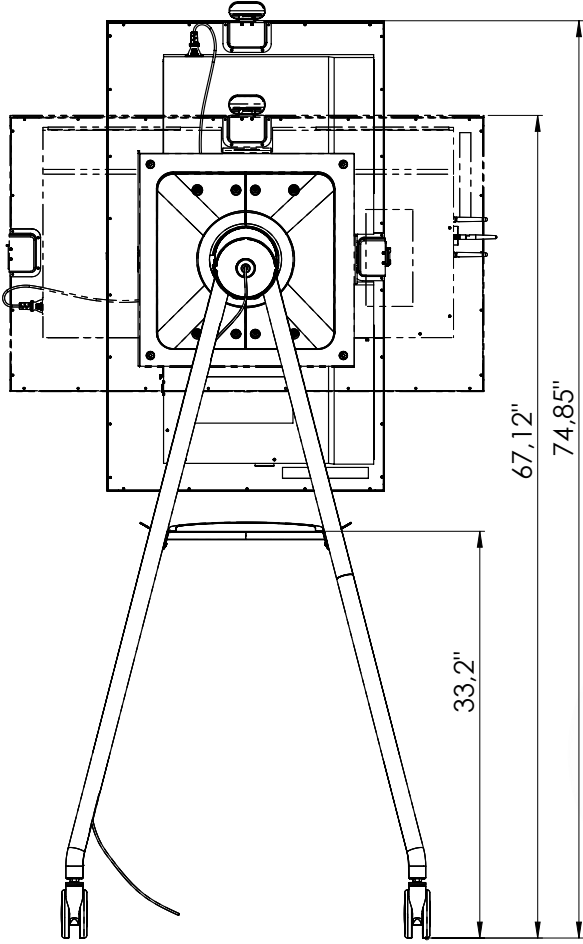
Standard Warranty	3 years
Extended Warranty	for education entities: 5 years (via registration) for corporate entities: 5 years (available for purchase)

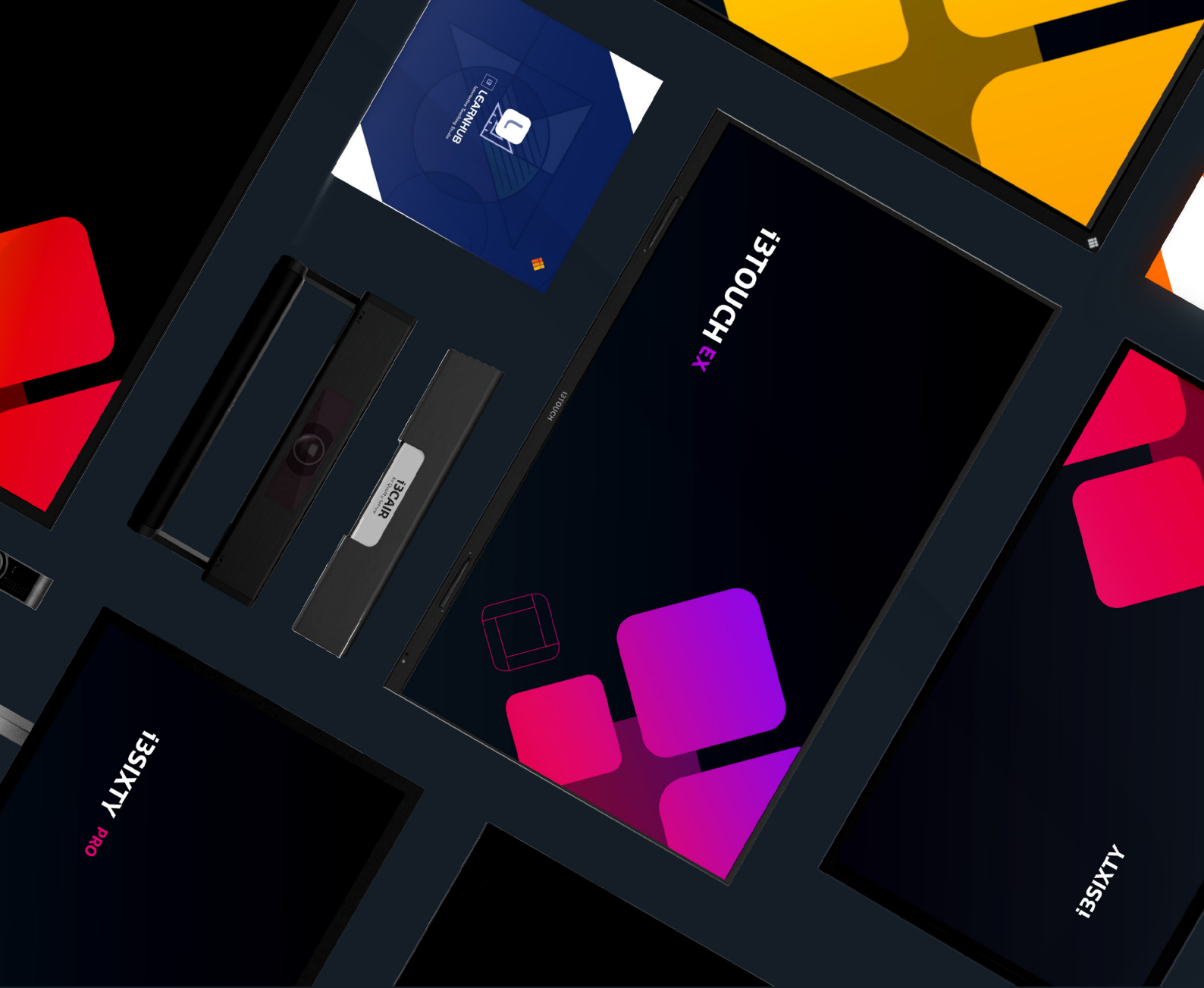


i3SIXTY 2

Technical Drawings







Like to know more?

i3-TECHNOLOGIES
251 Little Falls Drive
Wilmington,
Delaware 19808
United States of America

info@i3-technologies.com



i3-TECHNOLOGIES