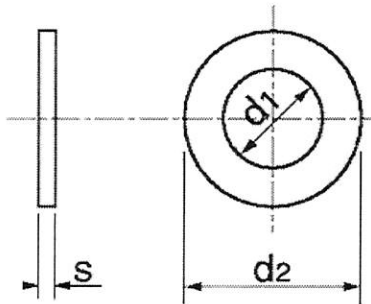


Flat Washer Form C - Zinc Plated BZP



Flat washer form C

- Sizes as Form A but wider
- Bright zinc plated CR3+
- BS4320C



d	d1(mm)	d2(mm)	s(mm)	d	d1(mm)	d2(mm)	s(mm)	d	d1(mm)	d2(mm)	s(mm)
4	4.3	10	0.8	10	10.5	24	2	20	21	39	3
5	5.3	12.5	1	12	13	28	2.5	24	25	50	4
6	6.4	14	1.6	14	15	30	2.5	27	28	56	4
8	8.4	21	1.6	16	17	34	3	30	31	60	4