



OWNERS INSTRUCTION AND SAFETY  
specialized for the



---

## IMPORTANT

---

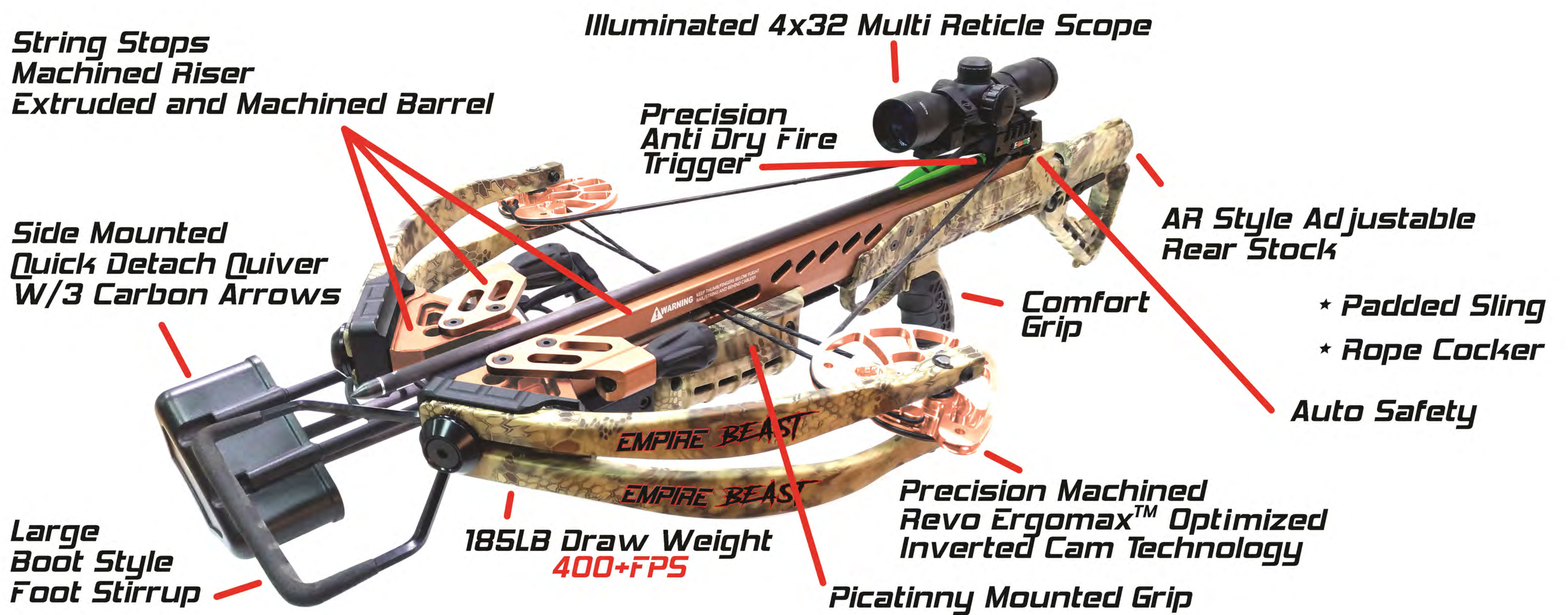
THIS IS NOT A TOY! Be sure to read and follow these instructions carefully before using this product. Save instructions and safety manual for future reference.





Thank you for choosing an EMPIRE CROSSBOW. We are confident that you will enjoy the crossbow for many seasons to come. Congratulations on your purchase, good luck in your pursuits, and thank you once again!

## COMPONENT GUIDE - EMPIRE AGGRESSOR



## PARTS INCLUDED - EMPIRE AGGRESSOR



1. Barrel / Stock and Adjustable Buttstock
2. Riser and Limbs
3. Scope
4. Shoulder Sling
5. Adjustable Foregrip
6. Quiver with 3 Bolts
7. Foot Stirrup
8. Claw Quiver Mount with Side Bracket
9. Rope Cocking Device
10. Cable Slide
11. Nose Bolt with Lock Washer and Washer
12. Grub Screws x 3
13. Hex keys
14. Rail Lube



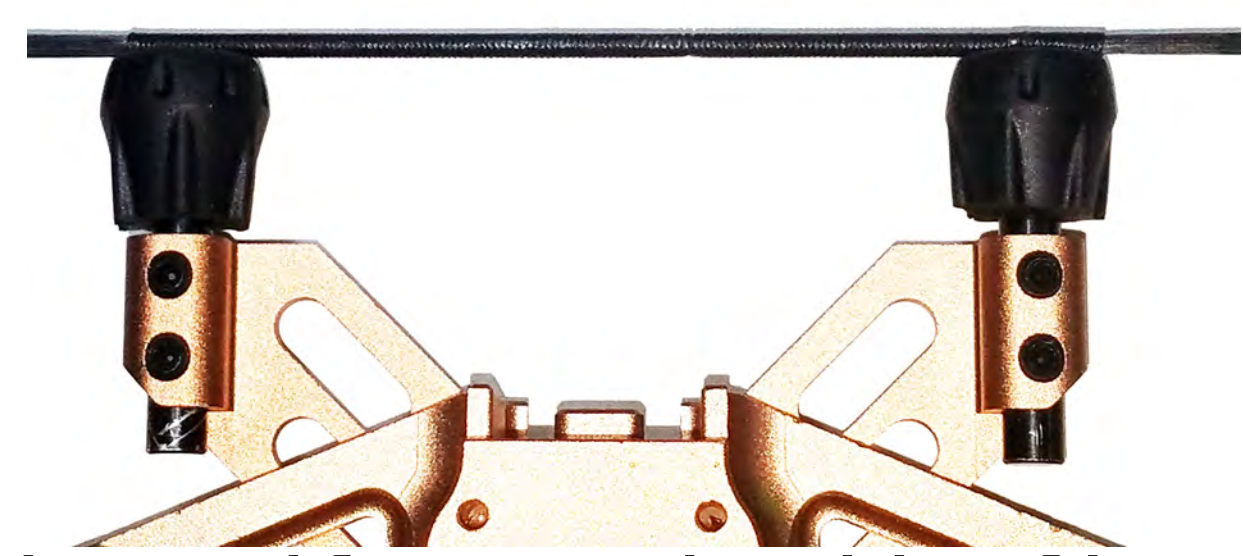


## SETTING UP YOUR CROSSBOW

1. Attach the cable slide (10) to the cables with the cable separator's grooves facing down with the wedge aiming towards the cross. Insert the cables in the 2 grooves as shown below. (riser and cables shown from above and shown from underside)

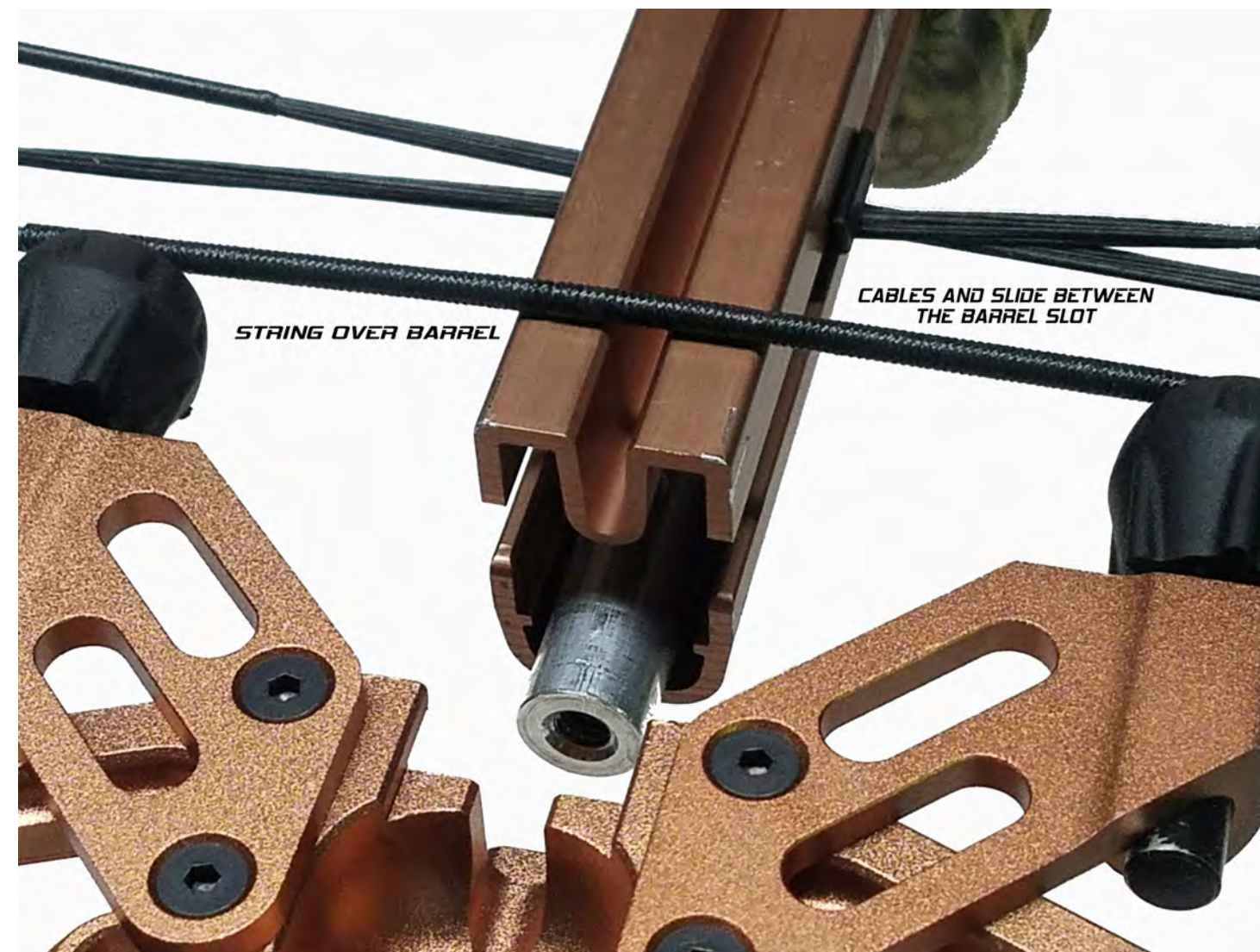


wedge aiming towards cross



(Pictured from underside of bow)  
Wedge going towards the cross

2. Connect the (1) barrel and the (2) riser by inserting the cable slide and cables into the slot on the barrel as shown. Be sure the wide/slightly concave side is facing up to match with the contour of the inside of the barrel. **CABLE DAMAGE WILL OCCUR IF YOU DO NOT USE THE SLIDE** and will not be covered by any warranty program.



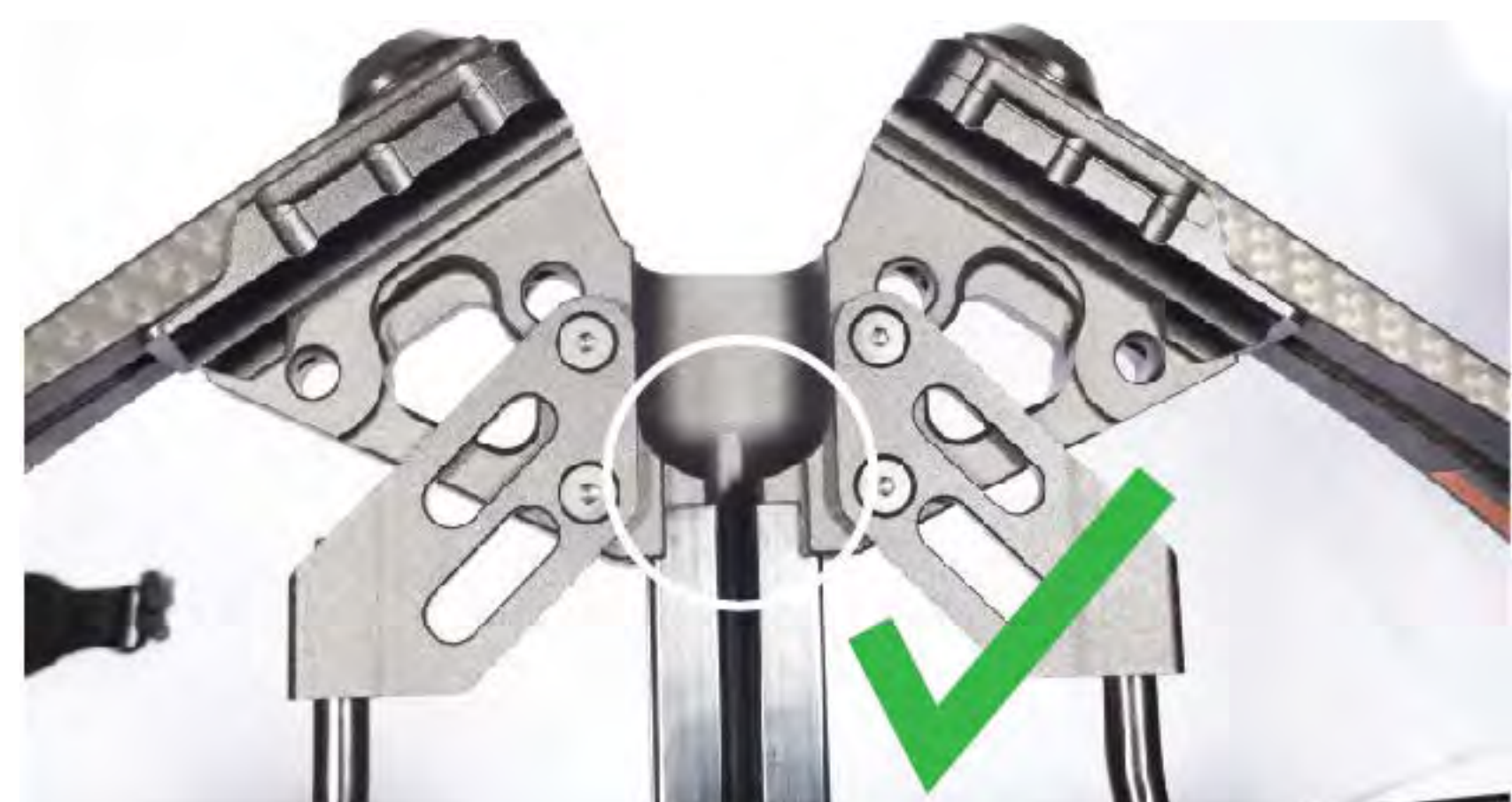
\*Cables and slide go in the slot inside the barrel.

\*String goes over barrel

3. Push the cables into the track and position the riser for connection to the barrel. Be sure to seat the barrel and riser completely prior to using the (11) nose bolt and washer and (13) Allen (hex) key provided to complete the assembly.



**NOT PROPERLY SEATED**



**COMPLETELY SEATED**





## SETTING UP YOUR CROSSBOW

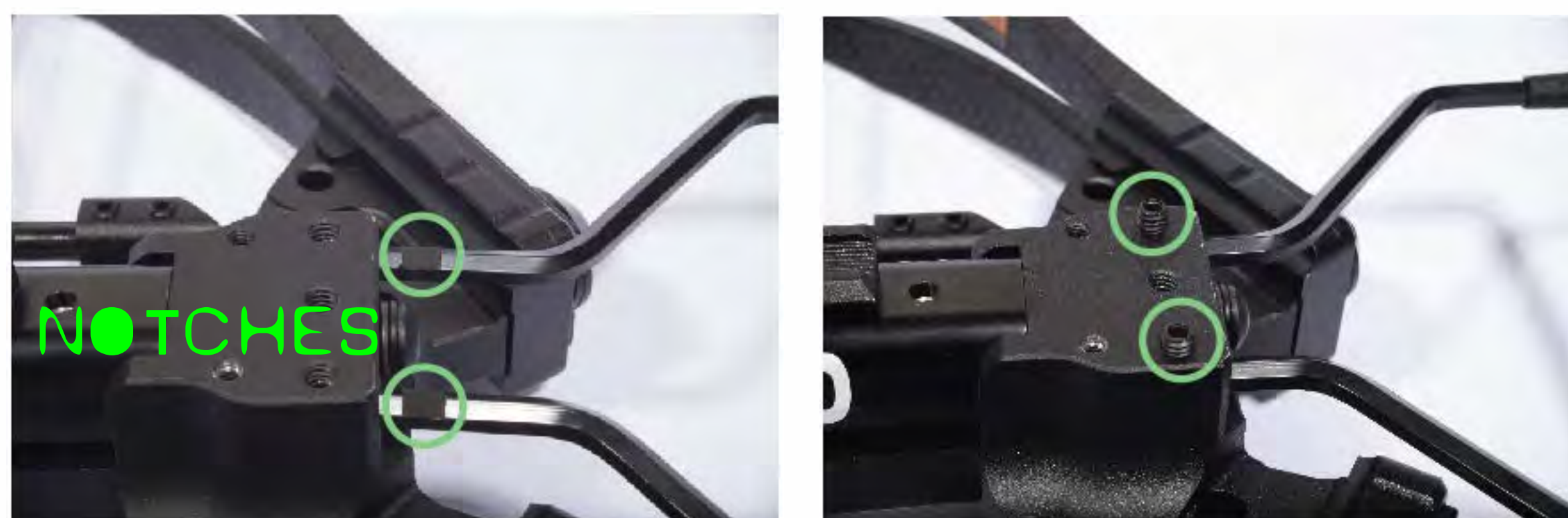
4. Place the (11) nosebolt in the center hole on the front of the (2) riser. Make sure the nosebolt is securely tightened.



5. Tighten the (12) center grub screw on the underside of the riser, this will lock down the nose bolt to keep it from loosening.



6. Insert the (7) foot stirrup into the two holes on the front of the (2) riser. Make sure the 2 notches in the foot stirrup are facing towards the (12) grub screws used to secure the foot stirrup, tighten securely.



### **WARNING**

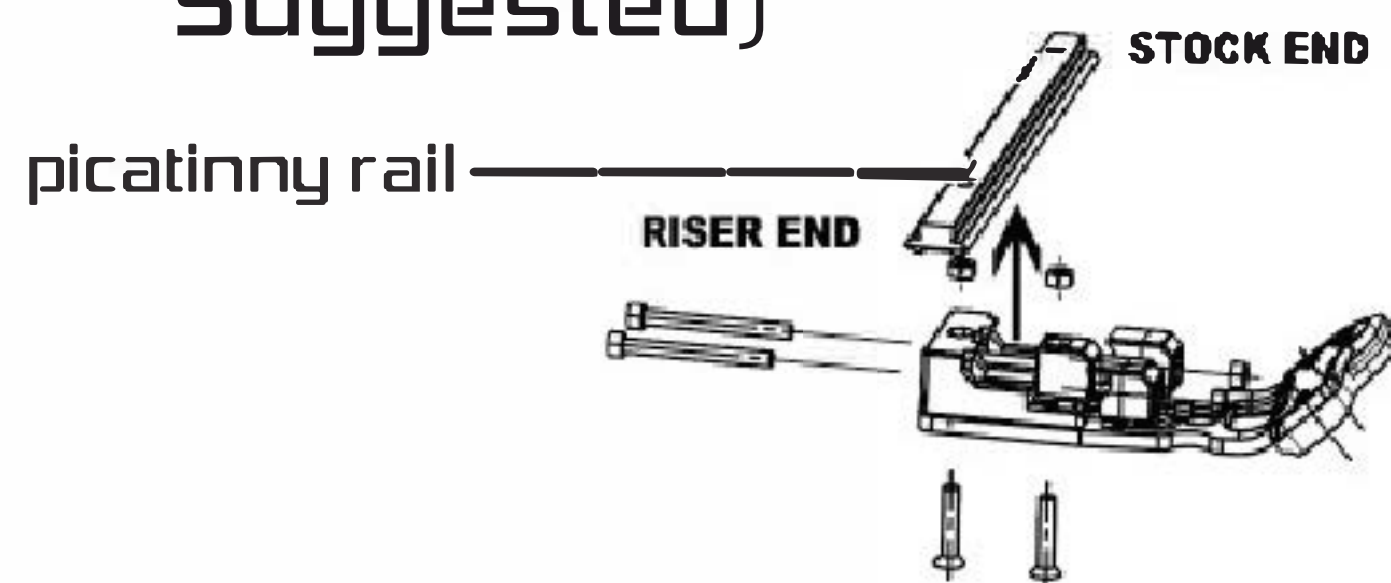
It may cause serious injury or damage to your bow if the foot stirrup set screws are not tightened securely.





## CLAW QUIVER SET UP

1. Attach the (8) Side Mount CLAW bracket assembly onto your desired position on the picatinny rail. (2 Slots Back, is Suggested)



2. Tighten the CLAW mounting screw from the side and make sure it's firmly attached.



3. Slide the CLAW (6) Quiver into the quick release mount and lock the handle (SEE PICTURE)



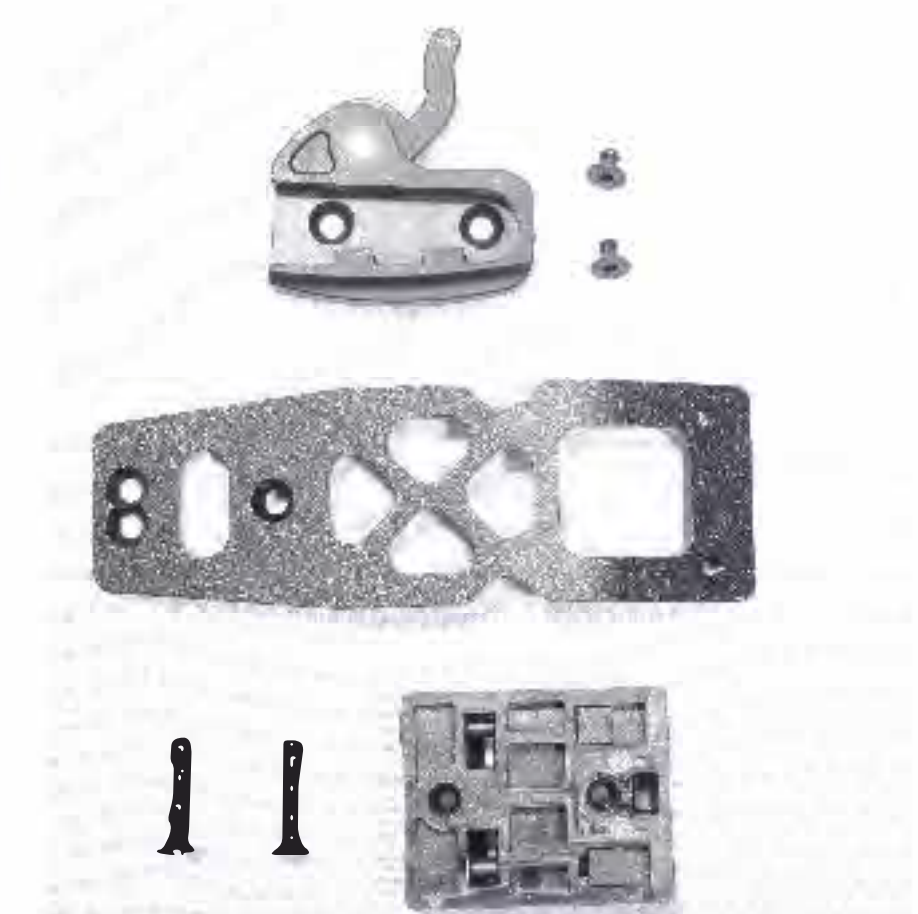
## CLAW QUIVER OPTIONAL SETUP

The Side Mount Bracket may be taken off to place the quiver sideways on the bow rather than mounted on the side by using the provided hex keys.



1. Detach the bracket from the quick release mount by unscrewing the two bolts holding it in place.

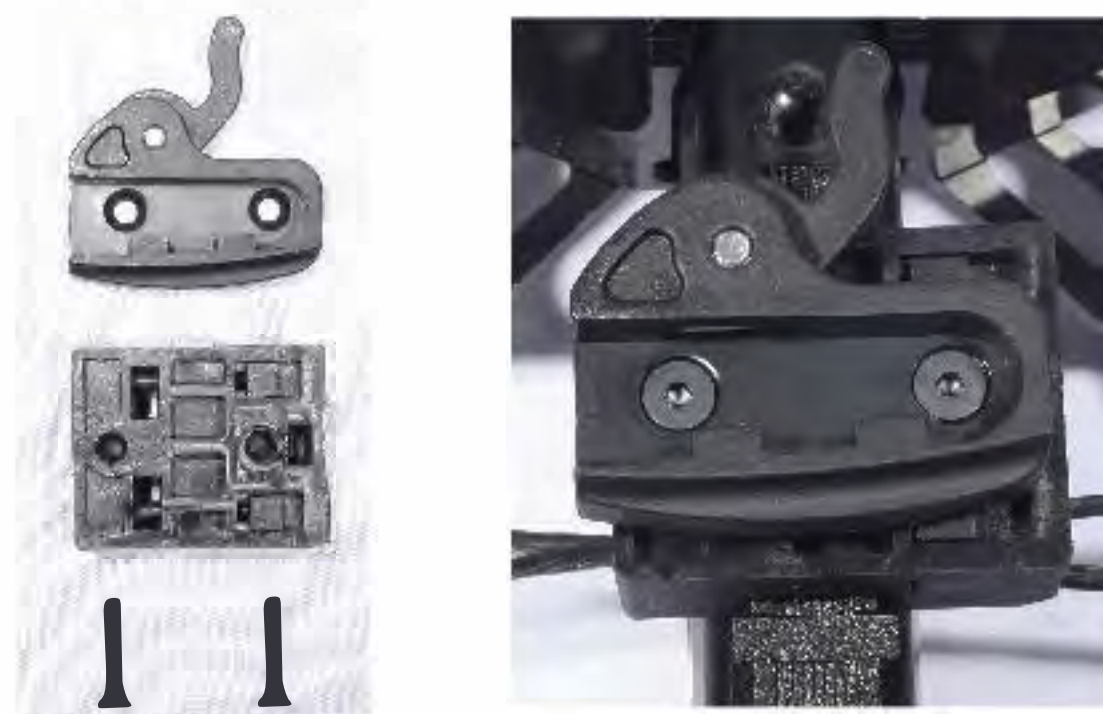
2. Detach the bracket from the picatinny mount by unscrewing the two bolts holding it in place.







3. Attach the quick release mount directly to the picatinny mount using two bolts.



4. Place and tighten the picatinny mount on the bow's picatinny rail with the quick release lever facing out towards the front of the crossbow.



### USING YOUR CROSSBOW SCOPE



Your crossbow package comes standard with a 4x32 multiple reticle scope that is designed to offer you multiple yardage options without having to make adjustments. Start by sighting in your crossbow at the closest yardage you plan to hunt from, using the top cross-hair. A reasonable yardage to get started might be 20 yards, use the top line on the cross-hairs. Once you have zeroed in on the closest range, you will need to progressively move back in yardage in order to determine the remaining yardage points that your scope will be sighted. The **ONLY** cross-hair you will be adjusting using the elevation and windage knobs on the scope is the top line, the yardages for the other lines will be based off your sighting of the top line at the closest range.





For example, if you sight the top line at 20 yards the next line down may be approximately 30 yards, then 40 yards. This will have to be determined by progressively moving back in yardage until you are zeroed in with each line from top to bottom.



### COCKING YOUR CROSSBOW

Before you begin to cock your crossbow, mark your string for center while the bow is uncocked. It is extremely important that you cock the crossbow centered each time and in the same manner to get the most accuracy possible out of your crossbow, this will be especially important if you choose to cock the bow by hand and not utilize the rope cocker (NOT RECOMMENDED). For the most consistent accuracy possible when manually cocking the crossbow mark the string on both sides of the flight rail so that you can verify it is cocked straight each shot. It is easy to cock the bow off center when manually pulling it back. Your best option is to use the rope cocking device each time you shoot for the most consistent shooting possible. The safety should always be in the FIRE position before you cock the crossbow, the unit features an AUTOMATIC safety which will go to the safe position once the bow is cocked each time.



**THE ONLY TIME YOU SHOULD TOUCH THE SAFETY SWITCH IS TO SWITCH TO "FIRE" WHEN YOU ARE READY TO SHOOT YOUR TARGET, OR IN THE EVENT YOU RELEASED THE SAFETY ONCE YOU LOCATED YOUR TARGET BUT DID NOT SHOOT AND WANT TO RETURN THE SAFETY TO THE "SAFE" POSITION.**





## HOW TO USE THE ROPE COCKER

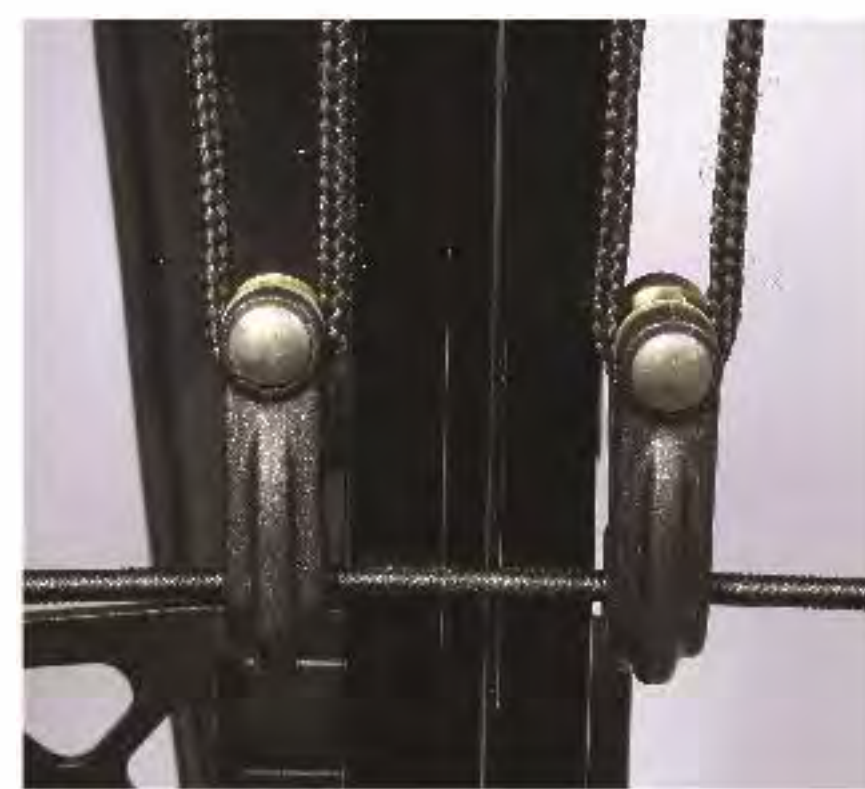
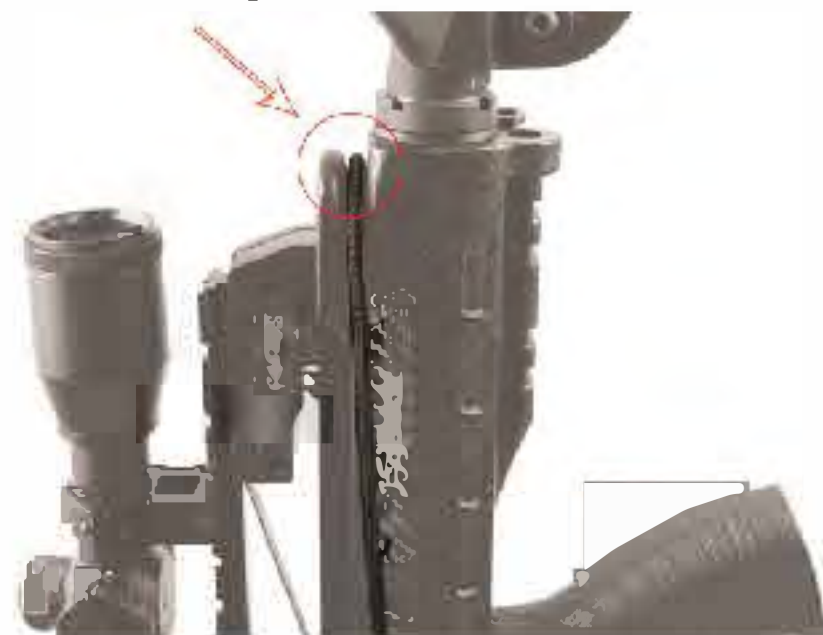
Use of the (9) rope cocker reduces the effort required to cock your crossbow by 50%. This device also ensures perfectly straight cocking, a key ingredient of top accuracy.

As mentioned previously; make sure the safety is on the "Fire" position while your crossbow is facing toward the ground for the cocking procedure below:

1. Place one foot securely through the (7) foot stirrup

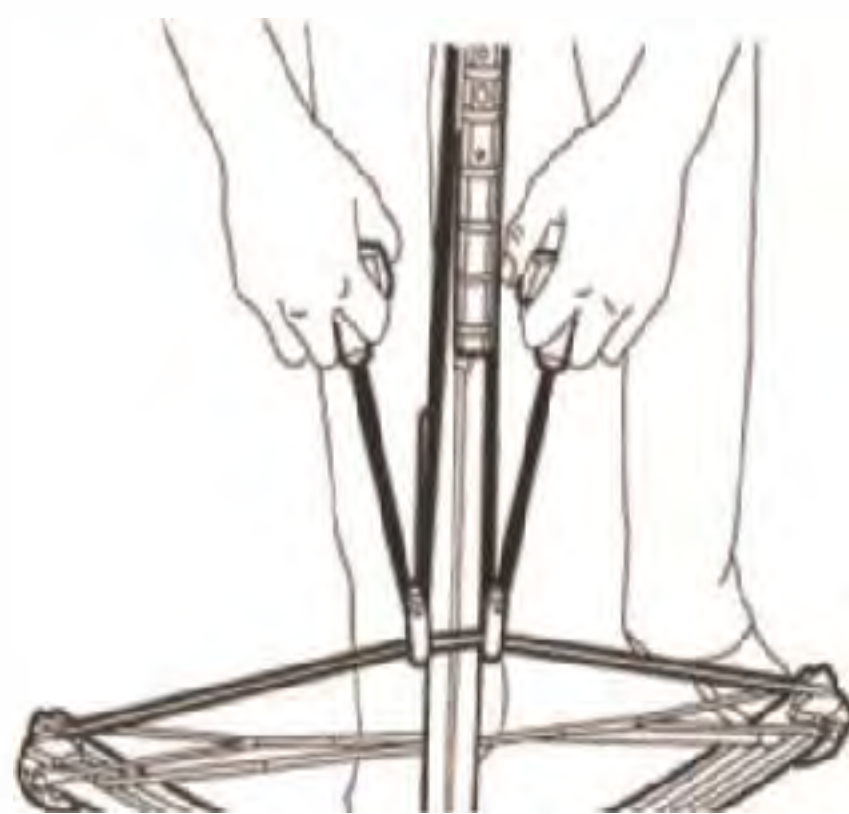


2. Place the center of the cocking rope in the rope groove. The cocking handles should be positioned to the outside.



3. Pull both cocking hooks simultaneously down along the flight rail and attach them to the bowstring directly alongside the rail.

**TIP: FOR MAXIMUM ACCURACY HOOKS MUST STAY AGAINST THE FLIGHT RAIL DURING THE ENTIRE COCKING OPERATION DO NOT LEAVE A GAP**



4. Once hooks are set securely, stand straight up concentrating most of the force on your legs to lessen THE stress on YOUR back until the string clicks into the trigger gear. The bow should be on safety and is now ready to load a bolt and fire! Put away the rope cocker, load up and take aim!





## WARNING

DRY FIRING WILL VOID THE WARRANTY FOR ALL PARTS!

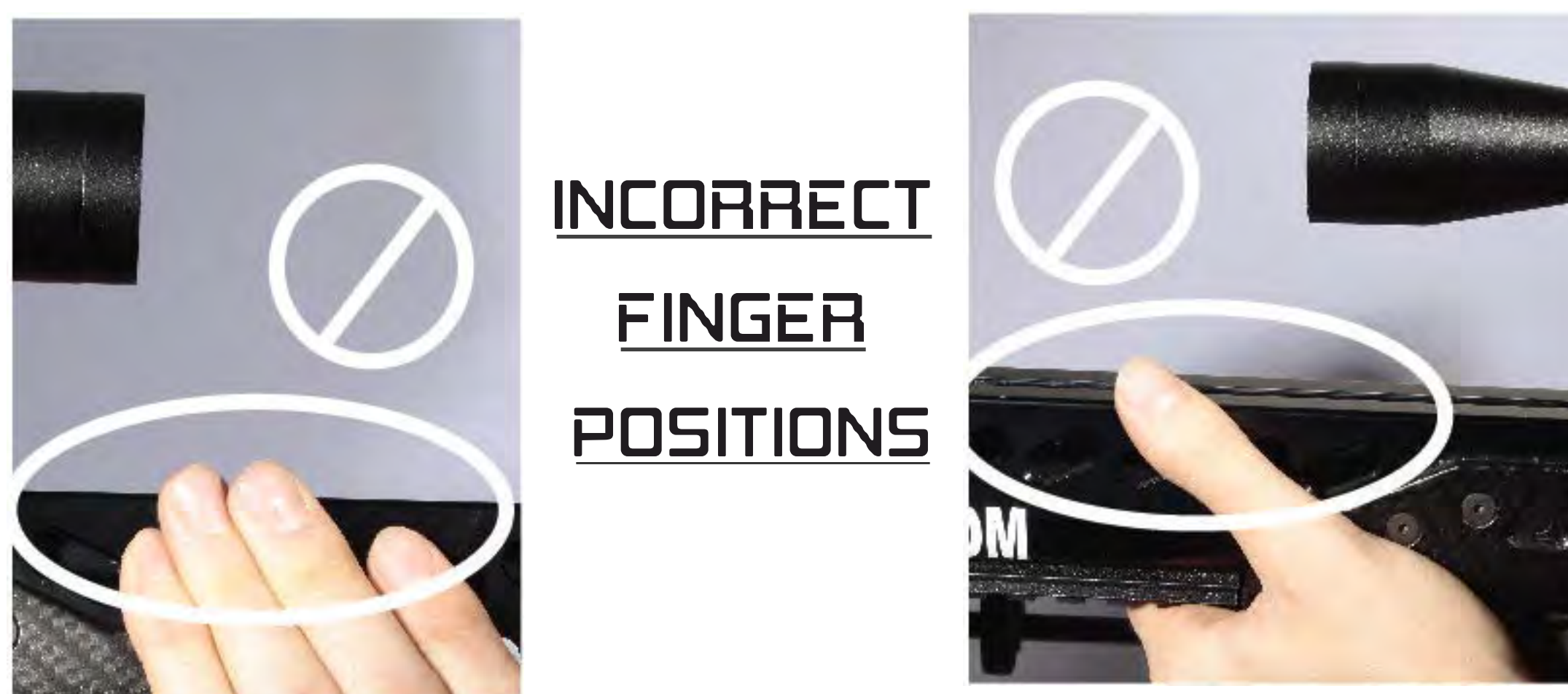
## FIRING YOUR CROSSBOW

- Always point the crossbow in a safe direction.
- Make sure the bolt retainer spring has kept the bolt in the fully loaded position. (A GAP FROM STRING TO BOLT WILL RESULT IN A PARTIAL DRY FIRE AND CAN DAMAGE YOUR BOW.)



- Always be sure to check if your safety is on, which is the "S (Safe)" position. Once you have confirmed your target. Push the safety forward to the "F (Fire)" position. (FOR THE AGGRESSOR MODEL, WITH THE ANTI-DRY FIRE FUNCTION TRIGGER BOX, YOU ARE ONLY ABLE TO SWITCH THE SAFETY WHEN YOUR BOLT IS PROPERLY PUSHED ALL THE WAY INTO THE TRIGGER MECHANISM).
- The crossbow will now fire when the trigger is pulled. The safety MUST be disengaged in this manner prior to every shot.

IMPORTANT!: BE SURE TO KEEP YOUR FINGERS AND THUMB BELOW THE TRACK SURFACE DURING FIRING AT ALL TIMES.



CORRECT FINGER POSITION







## IMPORTANT GENERAL SAFETY

EXTREME CAUTION SHOULD BE USED AT ALL TIMES WHEN HANDLING A CROSSBOW. FAILURE TO FOLLOW THESE INSTRUCTIONS COULD RESULT IN SERIOUS INJURY OR DEATH.

- Always keep your fingers below the flight track and out of the path of cables and strings when firing the crossbow.

- Never dry-fire the crossbow (shooting without an arrow or too light of an arrow).

Dry firing will void the warranty and can result in damage to the limb assembly and possibly cause personal injury.

- Never fire the crossbow until you are sure of your target.

- Always use an adequate target and backstop when target shooting. (HAY BALES, CARDBOARD, BOXES OF RAGS, ETC. ARE TOTALLY UNACCEPTABLE)

- Always use suitable crossbow arrows with half-moon nocks.

- Always inspect the crossbow and arrows before firing. Bent or damaged arrows are not safe to fire and should be discarded.





## WARRANTY

SA SPORTS, LLC

ONE YEAR LIMITED WARRANTY

All Products

SA Sports, LLC warrants its products to be free from defects in both material and workmanship under normal use and service for one (1) year from date of purchase. Not included are damages from improper use, abuse, unauthorized repairs or modifications or alteration. Specifically EXCLUDED are strings, cables, arrows, or other moving parts that are considered to be replaceable parts requiring periodic servicing. Damage resulting from a DRY FIRE (shooting without an arrow), whether intentional or accidental is not covered under warranty and repair costs will be certain.

To obtain warranty service, the unit should be packaged securely to avoid damage in transit, it should include a description of the nature of the repair request, and it should be returned postage paid to SA Sports, LLC. At our sole discretion we will repair or replace the unit that is deemed to be under warranty upon inspection, and ship the product back to the customer at no additional cost using standard delivery service of our choice. Any product received into our facility that is deemed to have been misused, abused, altered, modified or otherwise ineligible for coverage will be issued an estimate for repair prior to work being completed. International customers will be responsible for transit costs both inbound and outbound and should therefore call for a return authorization prior to shipping the product.





## WARRANTY

Please feel free to contact us regarding any product issue, assembly help, or additional assembly direction. We will help in any way we can to ensure your best experience with the product.

Direct your inquiries to:

SA Sports, LLC

1337 N Nelson Street – Unit B

Allentown, PA 18109

Tel (610) 481-2929

Email: [sales@sa-sports.com](mailto:sales@sa-sports.com)

[www.sa-sports.com](http://www.sa-sports.com)

Please retain your original purchase receipt in the event that you need service, include a copy of the receipt from date of purchase.

WE THANK YOU FOR CHOOSING EMPIRE PRODUCTS ONCE AGAIN!

ENJOY YOUR ADVENTURE!





OPTIONAL ACCESSORIES AVAILABLE FOR PURCHASE

<u>Item Number</u>	<u>Product Name</u>
577	20" Carbon Bolts - 6 Pack w/100 Grain Tips
588	Rail Lube - Package of 3 Tubes
615	Tactical Foregrip
623	Empire Crank Cocking Device
624	Cable Slides - Package of 2
655	Spare String for Beast
Cables	Spare set of Cables For Beast
558	Dragon Eyez 1500 Yd Rangefinder
559	Vulture Solar Rangefinder 400 Yd
652	3-9x42 E-MIRGE Crossbow Scope

These items and many more available at  
[www.sa-sports.com](http://www.sa-sports.com)



SA Sports, LLC  
1337 N Nelson Street – Unit B  
Allentown, PA 18109  
Tel (610) 481-2929  
Email: [sales@sa-sports.com](mailto:sales@sa-sports.com)  
[www.sa-sports.com](http://www.sa-sports.com)