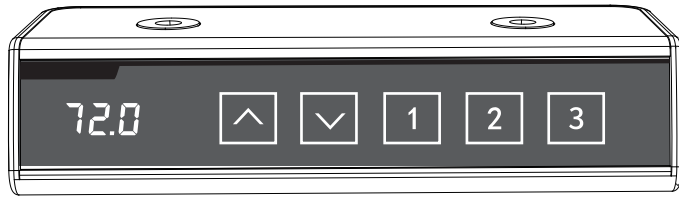


Controller Introduction



72.0 LED Display: A single press of any key activates the display.

1
2 **3** Pressing button 1, 2, or 3 will adjust the desk to the height that was previously programmed for that specific button.

↑ To raise the desk continuously, simply press and hold the button. The desk will stop either when you release the button or when it reaches its maximum height of 46.5 inches (118 cm).

↓ To lower the desk continuously, press and hold the button. The desk will stop either when you release the button or when it reaches its lowest height of 28.3 inches (72 cm).

1
2 **3** Memory Button Configuration: Adjust the desk to height you prefer, then press and hold either button 1, 2, or 3 until the LED display indicates H1, H2, or H3, and flashes for approximately 3 seconds. Afterward, the LED display will show the height you've previously selected, confirming the completion of your height memory setting.

Reset Press and hold the **↓** button for 5 seconds, and the screen will show 'RES.' Continue holding until the desk goes down to its lowest level and comes back up slightly.

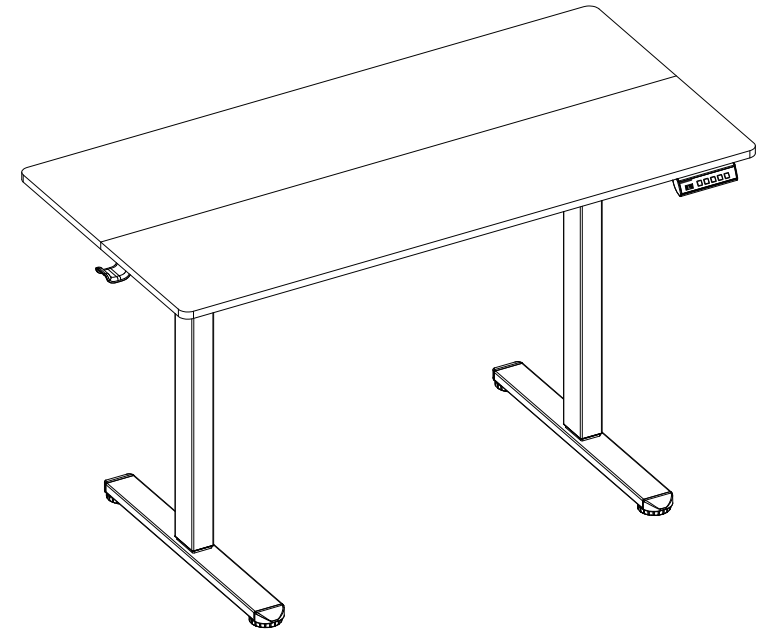
Protection Mode Error Codes

Hot	Overheating Protection: When the motor has been working continuously for 5 minutes, it will stop operating to prevent damage from overheating. Wait for at least 15 minutes before making any further height adjustment.
E10	Sensor malfunction warning: Motor safety sensor cannot be detected. Please power off, unplug the cables of the controller, wait for 5 minutes, then plug in the cables and connect the power again, and perform RES settings again.
E20	Overloading Warning: Over the max of loading weight. Power off, take the things off the desk, power back on, and try again.
E02	Operation Status Warning: The desk stops moving if vibration, impact, or incline is detected. If this detection is incorrect, follow the reset instructions before continuing use.
E32	Overvoltage Protection: Input voltage too high. If the correct AC adapter is being used, please power off, unplug the cables of the controller, wait for 5 minutes, then plug in the cables and connect the power again, and perform RES settings again.
E31	Undervoltage Protection: Input voltage too low. If the correct AC adapter is being used, please power off, unplug the cables of the controller, wait for 5 minutes, then plug in the cables and connect the power again, and perform RES settings again.
-	Cable Disconnection Warning: Please power off, unplug the cables of the controller, wait for 5 minutes, then plug in the cables and connect the power again, and perform RES settings again.

USER MANUAL



Standing Electric Adjustable Desk Assembly Instruction



- 3 Height Position Memory
- Vertical Range: 72-118cm



Power Input
100V-240V



Speed
20 mm/s



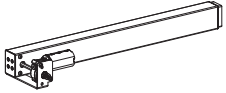
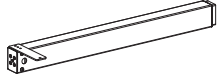
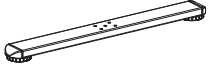


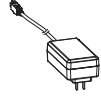
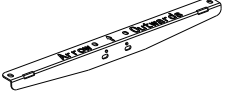

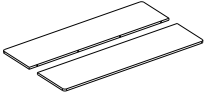
Motion Noise
<55dB



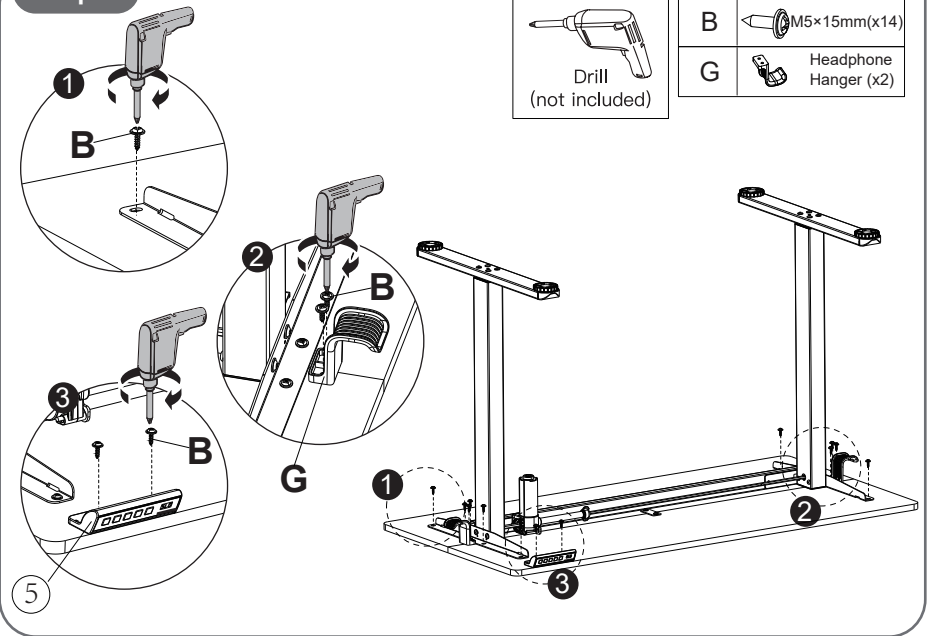
Load Capability
154 lbs / 70 kg

**CAUTION: DO NOT EXCEED
MAXIMUM LISTED WEIGHT
CAPACITY. SERIOUS INJURY
OR PROPERTY DAMAGE MAY
OCCUR!**

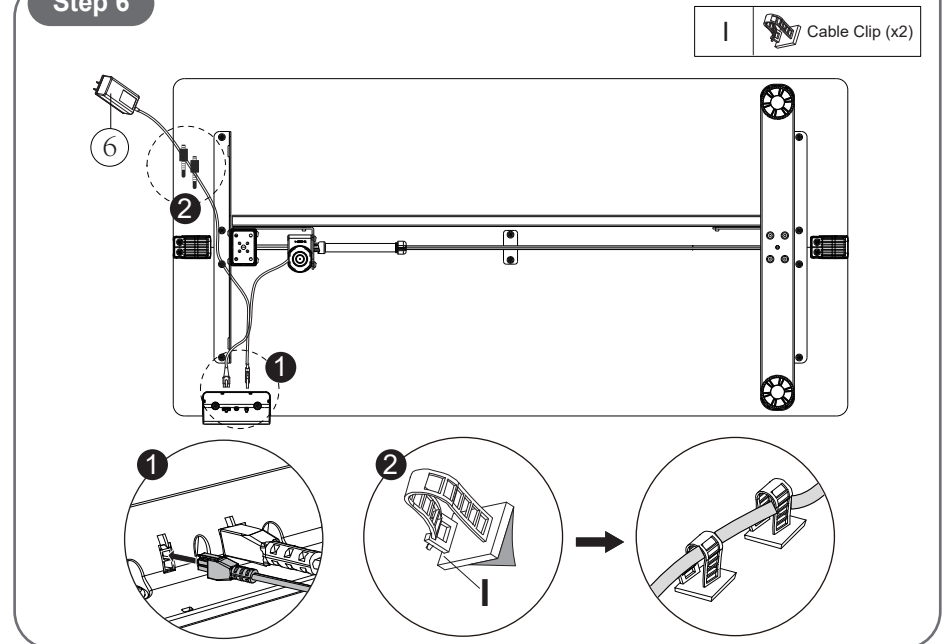
COMPONENT LIST

<p>①</p>  <p>Right Table Leg (x1)</p>	<p>②</p>  <p>Left Table Leg (x1)</p>	<p>③</p>  <p>Leg Base (x2)</p>
<p>④</p>  <p>Transmission rod (x1)</p>	<p>⑤</p>  <p>Control Panel (x1)</p>	<p>⑥</p>  <p>Power Adapter (x1)</p>
<p>⑦</p>  <p>Side Plate (x2)</p>	<p>⑧</p>  <p>Crossbar (x1)</p>	<p>⑨</p>  <p>Tabletop (x1)</p>

Step 5

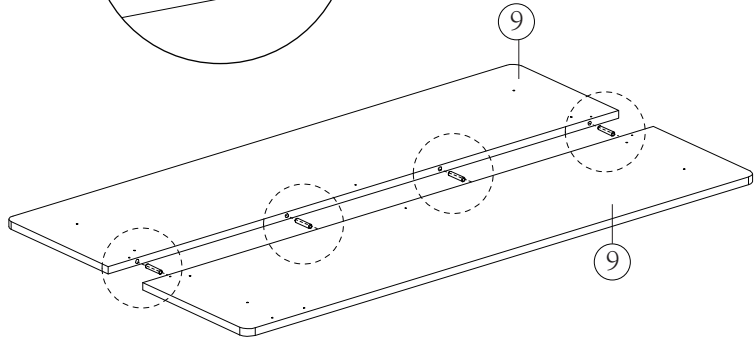
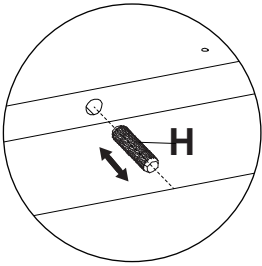




Step 6

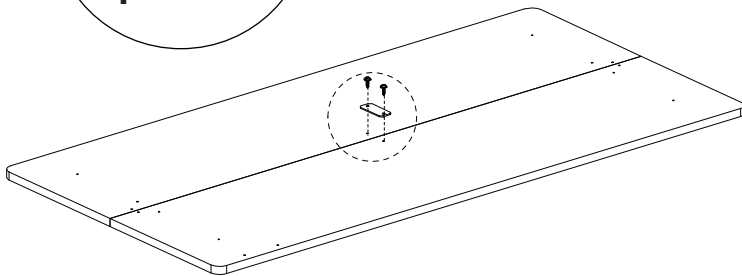
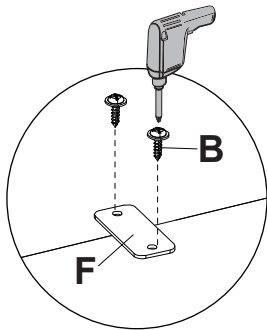


Step 4

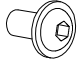
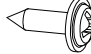
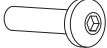






H  Wood Tip (x4)






B  M5×15mm(x2)
F  Tabletop Connector (x1)



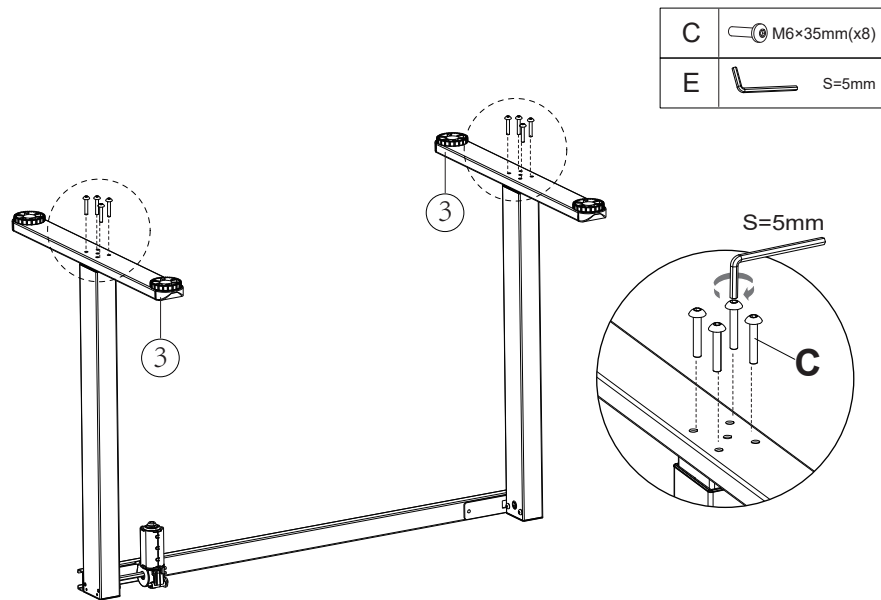
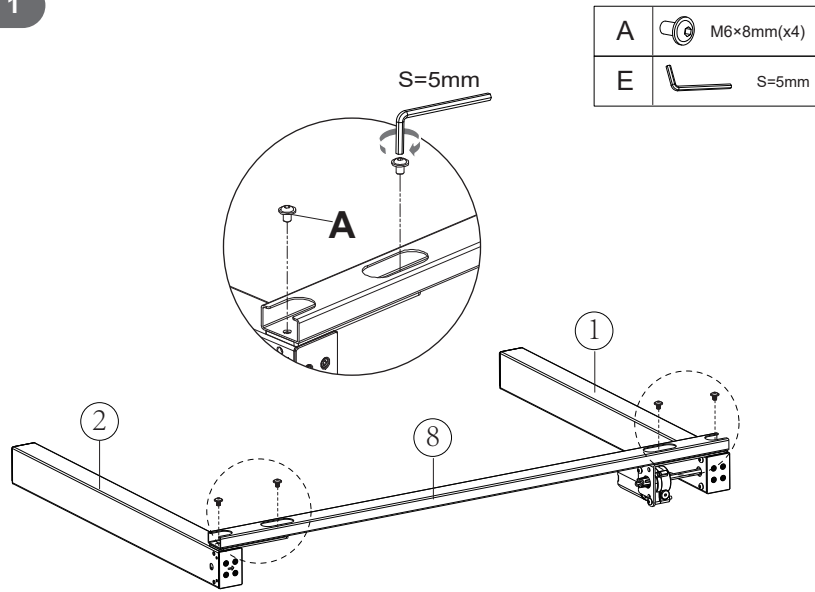
HARDWARE LIST

<p>A  Screws M6×8mm (x8)</p>	<p>B  Screws M5×15mm (x16)</p>	<p>C  Screws M6×35mm (x8)</p>
<p>D  Allen Key S=2mm (x1)</p>	<p>E  Allen Key S=5mm (x1)</p>	<p>F  Tabletop Connector (x1)</p>
<p>G  Headphone Hanger (x2)</p>	<p>H  Wood Tip (x4)</p>	<p>I  Cable Clip (x2)</p>

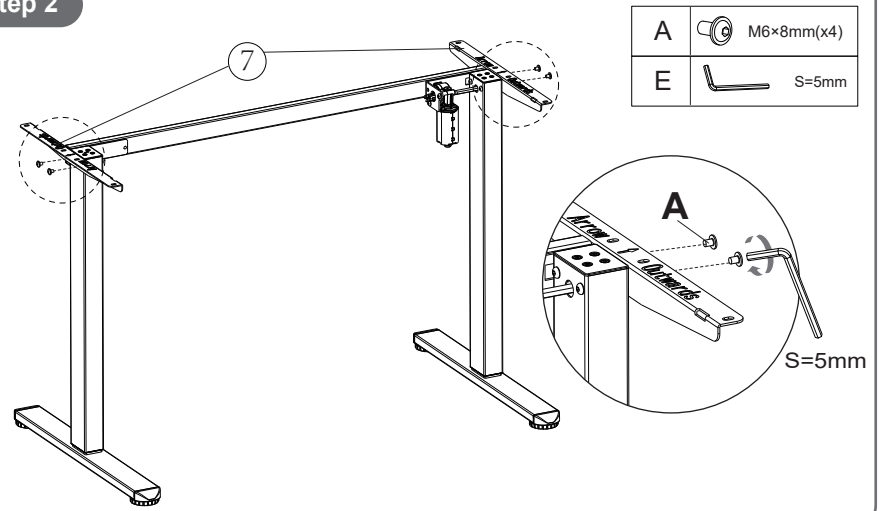
Spare Parts

A  M6×8mm (x2) B  M5×15mm (x2) C  M6×35mm (x1) H  Wood Tip (x1)

Step 1



Step 2



Step 3

