

# 142x205mm

## Warranty Details

Gyrocopters offer 90 days warranty on all products. 90 days warranty commences from the date of purchase.

Please retain your payment receipt/order#, and original packaging for proof of purchase and to claim your warranty/repairs. All defective merchandise are eligible for repair within 90 days of the original purchase date.

This warranty DOES NOT cover normal wear and tear or any other physical damage or liquid damage caused to your parts/unit by improper usage or handling.

We assume no liability for loss or damages caused by unsafe riding and/or improper usage. Our warranty does not cover when used unsafely or out of limits.

Gyrocopters will only accept returns or unused and undamaged products that are returned in the original packaging within 14 days of your purchase date.

This warranty does not cover physical damages resulting from accident, misuse, or abuse, lack of reasonable care, the affixing of any attachments, stunts, tricks, or loss of parts. Use of unauthorized replacement parts will void warranty. This warranty is only eligible for the purchase of the initial Gyrocopters MiniMe Kick Scooter.

No responsibility is assumed for any special incidental or consequential damages

## Safety Warnings

When riding this always wear shoes, a safety helmet and other protective equipment.

Like any other moving product, using a scooter can be a dangerous activity and may result in injury, or death even when used with proper safety precautions. Use at your own risk.

Do not ride in places where it is unsafe such as motor vehicles.

Users must adjust the height of the product to the proper position to ensure safe driving.

Do not ride this product on slippery surfaces such as oil or ice on the surface.

Please practice first in the open, master the operation before driving.

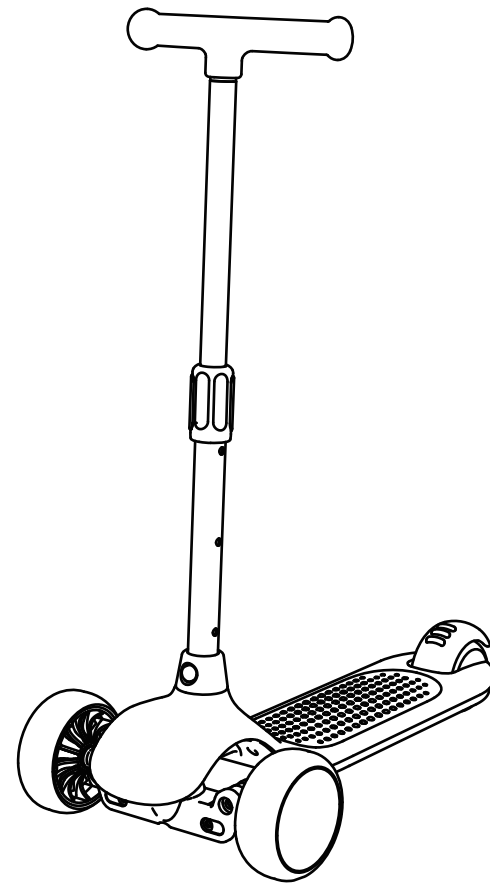
In the bad weather such as rain, snow and wind, please avoid riding as much as possible to avoid unnecessary damage caused by unnecessary factors.

## Contact Details

Gyrocopters e-mobility systems  
www.gyrocopters.ca  
For Sales: sales@gyrocopters.ca  
For Support: support@gyrocopters.ca



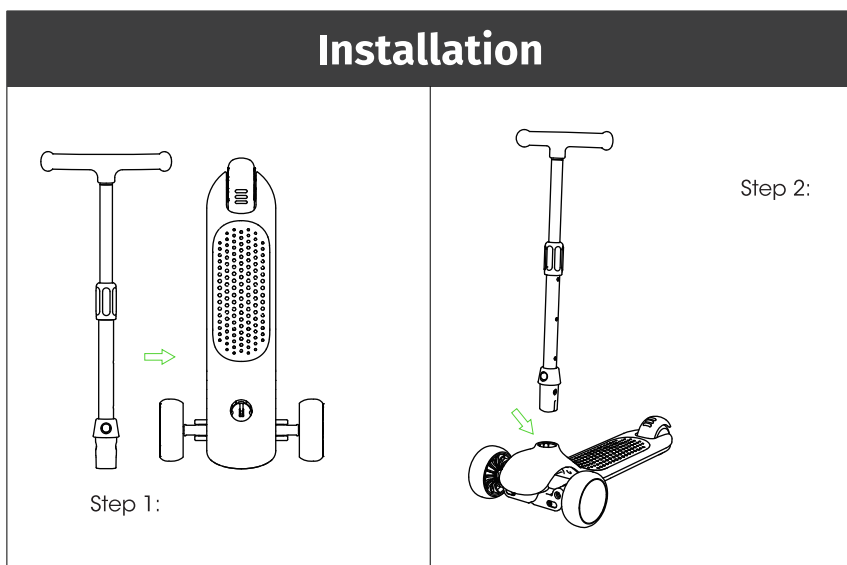
## GYROCOPTERS MINIME KICK SCOOTER



## USER MANUAL

THANK YOU FOR CHOOSING OUR SCOOTER!  
Before operating the Scooter, read this User's Guide for the proper instruction on use and care of the Scooter!

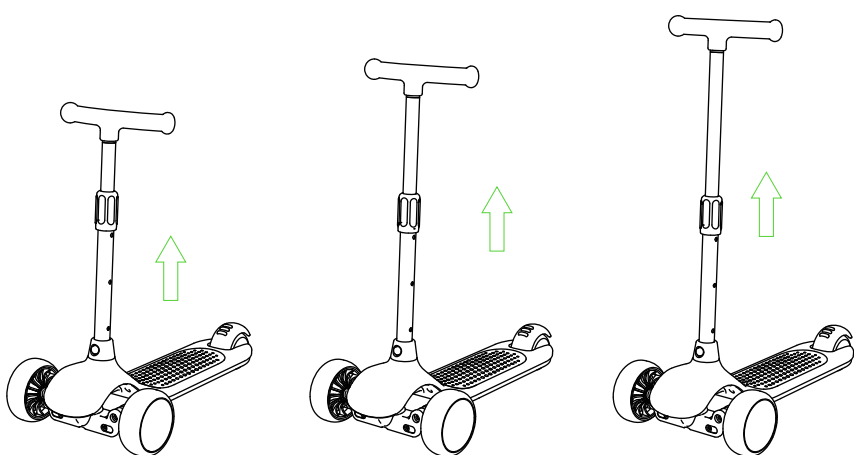
## Installation



Place the two parts of the scooter side by side, and asses to make sure nothing is missing.

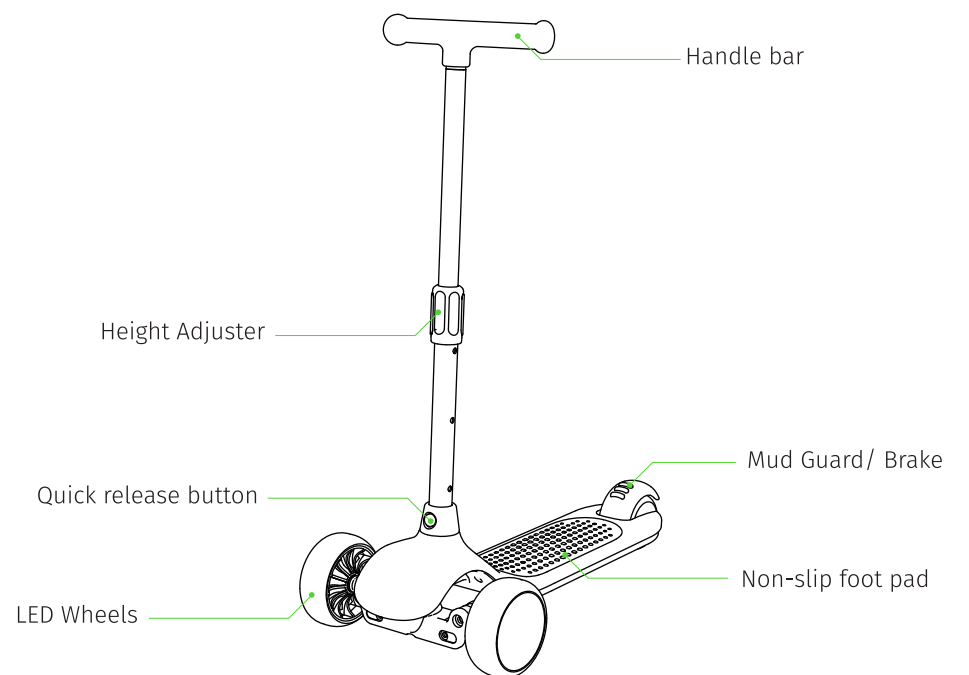
Attach the handle bar stem to the scooter base clicking into place.

## Adjustable Heights



Before riding, set the scooter to the desired riding height to ensure safer riding. To do so, loosen the height adjuster, press the adjustment button with one hand, sliding the stem of the scooter up or down to change the height, clicking once in place. Tighten the height adjuster to secure.

## Product Overview



Weight :	3100g
Height :	525-690mm
Width :	314mm
Length :	575mm
Diameter of Wheels:	120mm
Width of Wheels :	45mm
Axle distance :	380mm
Materials:	GFK, PP, ALU
Width of footpad :	130mm
Age :	3+