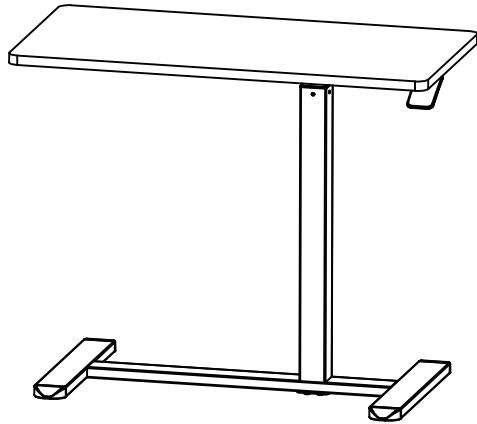







Height Adjustable Desk

ASSEMBLY INSTRUCTIONS





Max load: 8kgs

► SCREW PACKAGE

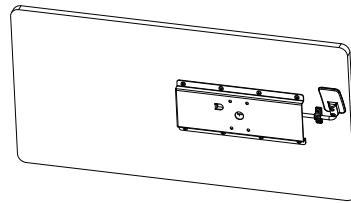
-  **A** M6x40(x4)
-  **B** M6x8(x4)
-  **C** S=4mm(x1)

► SPARE PARTS

-  **A** M6x40(x1)
-  **B** M6x8(x1)

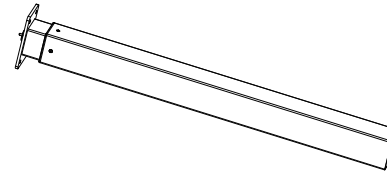
► PARTS INCLUDED

①



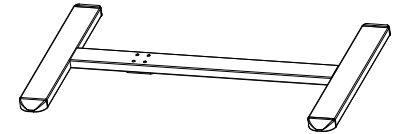
(x1)

②



(x1)

③

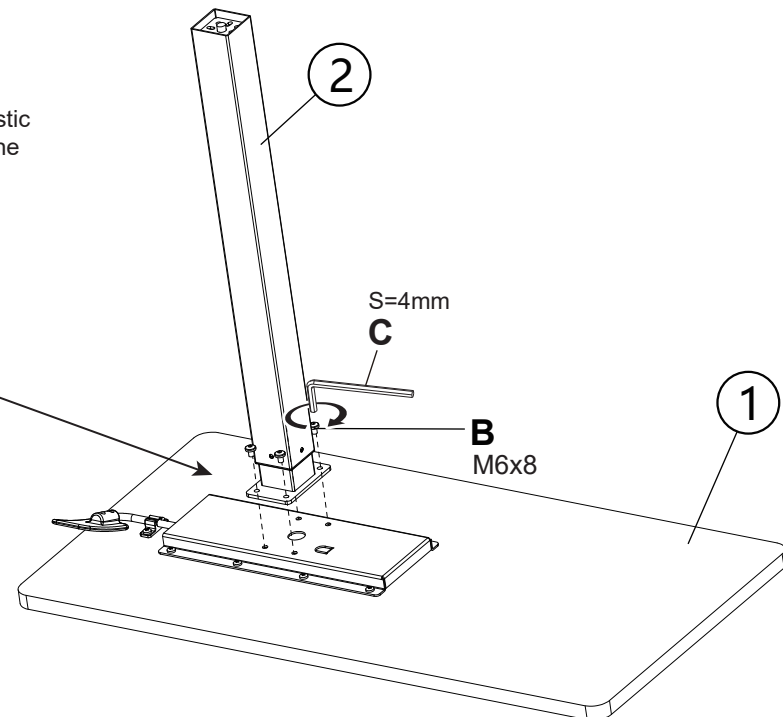
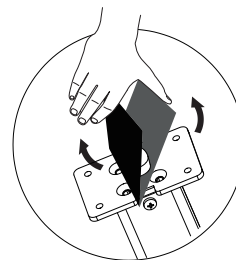
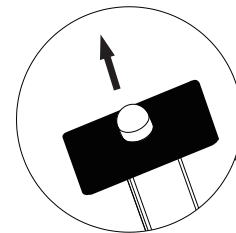


(x1)

► INSTALLATION

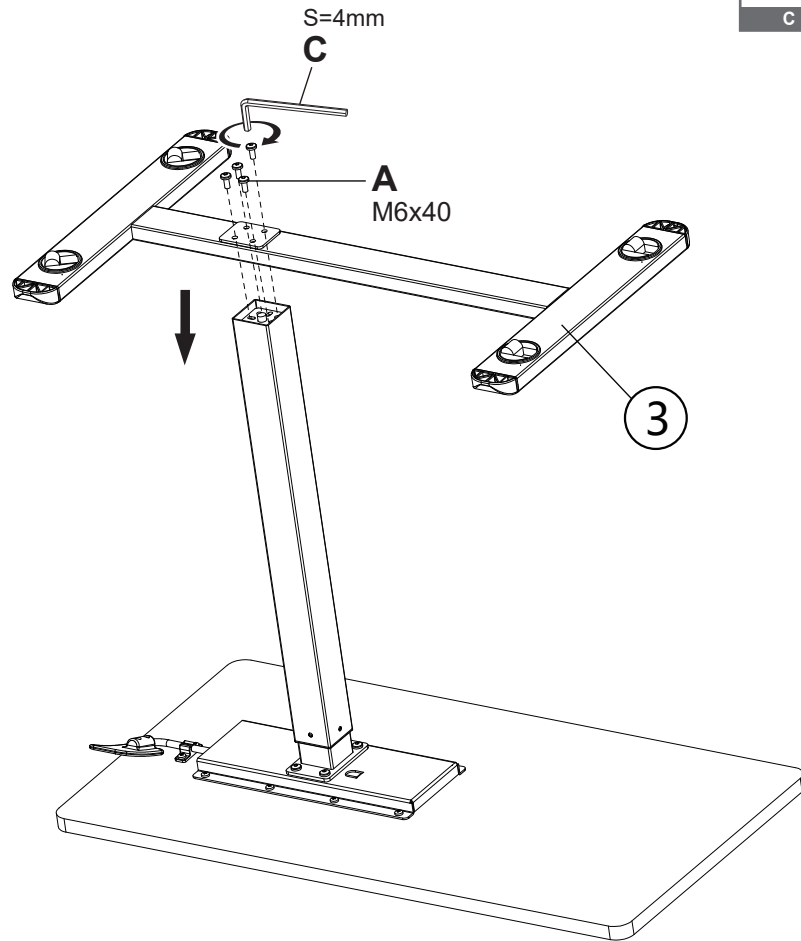
①

Note: Please remove the plastic cap before installing it onto the connecting part..



▶ INSTALLATION

2



3

