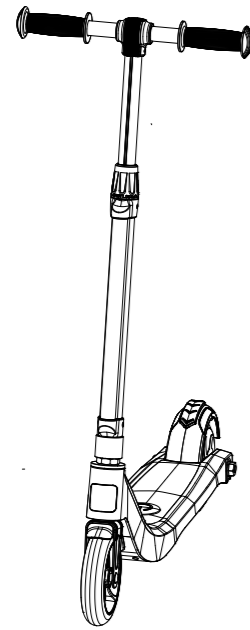
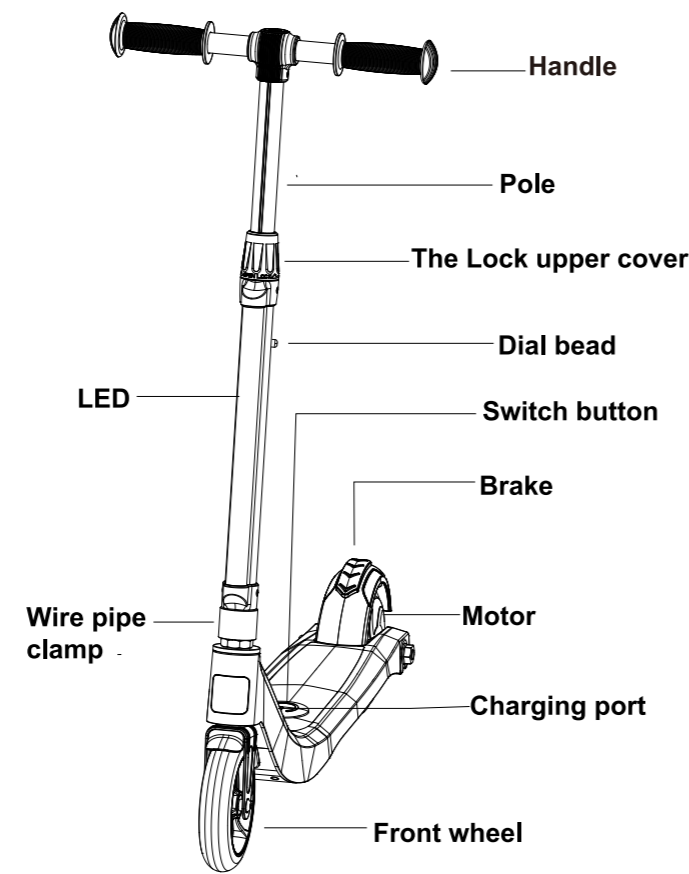


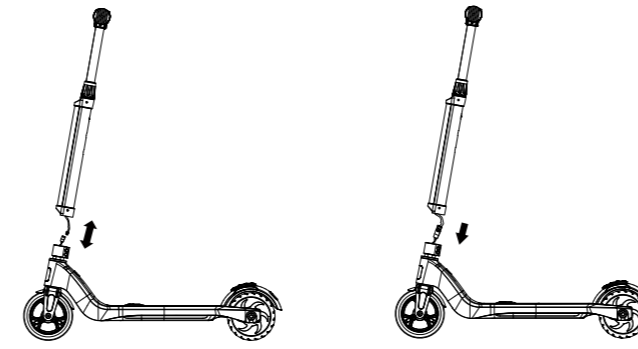
**GYROCOPTERS-GLOW**  
**KIDS ELECTRIC SCOOTER**



**1. Scooter Diagram**



**2. Product Unfolding and Folding**



1. Fix the connector wire

2. Fix the front pole



3. Tighten the 2 screws with the screwdriver in package box

4. Finish assembling the front pole

**3. Introduction to Riding**

1. Connect the plug found on the pole to the plug found on the bottom frame according to the direction of the plug and insert it in place.
2. Place the pole into the front opening and insert the 2 screws. Ensure pole and LED lights are straight before tightening screws into place.
3. Tighten the screws using the screwdriver provided in the box.
4. The user can adjust the height of the front pole by pushing in the dial bead and moving the pole up or down until the dial bead locks in desired height.
5. After adjusting the height on the front pole, tighten the upper lock cover.
6. Please keep one foot on the power button found on the base while riding, and use the other foot to accelerate by pushing the ground.
7. To brake when riding, place foot on rear wheel fender. Power will be cut off.

a) If the pole light is red, this means the scooter needs to be charged. The charging will show a red light when it is charging and green light when the battery is fully charged.

b) Place both hands on the handles and one foot on the pedal switch and use the other foot to accelerate.

c) Release the foot that is on the pedal switch to slow down, and back on the switch to increase the speed.

d) Press the rear wheel fender to come to a complete stop.

Note: While riding, one foot must be on the pedal switch. To cut off the power, do not move the scooter for 10 seconds. The motor speeds up when the scooter reached 4km/h coasting speed.



Please read the instruction manual carefully before using the Gyrocopters - Glow Kids Electric Scooter. Beginners should be accompanied by parents or adults. Only ride alone once you are comfortable. Do not ride on public roads.

**4. Safety Instructions**

1. This electric scooter is for kids and should not be used by adults. Do not carry other people at the same time. You should be accompanied by a parent or adult.
2. Warning: Wear protective equipment when riding. Do not use on public roads. Use the scooter with care, falling may harm the user or others nearby. Only ride the scooter on flat areas. Regularly inspect and maintain tires, screws, washers, nuts and other components.
3. Do not ride this product in unsafe places where you are violating rules.
4. Please practice riding in open areas first.
5. Do not attempt dangerous tricks with the electric scooter. Keep both hands on the handlebar and feet on the pad.
6. Do not ride over potholes or gaps in the road, this can cause damage to the scooter and rider.
7. When going over uneven road conditions, please get off the scooter or slow down.
8. The user must adjust the height of the pole before riding to ensure safety.
9. Do not ride the scooter on slippery roads and surfaces.
10. Do not use this product in an environment below -5 C.
11. Do not use it on incline of more than 3 degrees using the motor power. You will need to manually pedal going uphill slopes.

12. Do not use this scooter in rain or on puddles, it is not waterproof. Water can damage electrical parts.

13. Avoid riding it in the rain, snow and other severe weather.

14. Charge the scooter at least once a month even when not in use. Leaving it unused for a long time can damage the battery and scooter.

**5. Battery & Charger**

1. Lithium battery  
Please fully charge the battery when you first get the electric scooter.

a) Charge the scooter as soon as the low battery warning appears to avoid damaging the battery.

b) Charge the battery at least once a month when not in use.

c) If the battery is not used for a long time, the battery power can stop working. Please see the supplier about this.

Note: Warranty will not cover any damage that occurs to the battery or scooter which is caused by water damage or physical damage.

**2. Charger**

The charger provided by the manufacturer has full charging protection. When the battery is 100% fully charged, it full automatically stop charging. The charger will then turn green. Water damage and other collision damage are not covered in the warranty.

a) Remove the rubber plug on the scooter body and insert the charger into the port for charging.

b) When the indicator light is red on the charging, that means the scooter is charging. The green light means it is fully charged.

c) Please charge the scooter in a dry and ventilated environment.

**6. Care and Maintenance**

1. Tires  
The tires of this product are wear-resistant. Tires can get worn out and will need to be replaced. Please contact the supplier. Always check if screws are tight to ensure safety.

2. Battery  
The lithium battery provided by the company has at least 500 charging cycles. When the battery is fully charged and mileage is only half of the factory mileage, the battery is getting old and it must be replaced.

3. Placement and Daily Care  
Do not leave the scooter in the sun or humid areas for a long time. Keep the scooter clean and dry.

**7. Warranty**

**Note:** The Gyrocopters Glow Electric Scooter comes with a 90 day warranty.

Warranty does not cover the following:

1. Damage caused to the scooter due to failure to follow steps listed in this manual for proper maintenance of tires, battery, charger and other components/parts.
2. Damage to the scooter caused by stunts, tricks or other dangerous acts.
3. The electric scooter is not waterproof and any water damage will not be covered in the warranty.
4. Physical damage caused to the electric scooter and accessories due to mistakes, collisions or accidents will not be covered in the warranty.
5. Damage caused by riding on uneven roads causing functional failure.
6. Damaged caused by exposing the scooter to sunlight for too long or riding it out in rain or snow.
7. The warranty does not cover normal wear and tear, wheel or any other accidental/physical damage or water or liquid damage caused to parts due to improper usage.
8. By opening your unit, you assume all responsibility for your device. We assume no liability for loss or damage caused by unsafe riding.

**8. Product Specifications**

Product Name	Gyrocopters Glow Electric Scooter
Product Number	YD531
Speed	Up to 8km/h
Maximum Climbing degree endurance	About 3°
Max Range	about 7.5km
Riders range	3-7 years old,max.weight 50kg
Battery	19.2V/2.0A
Charging time	About 2.0h
Charger	21.9V0.5A, input voltage 110V-240V (50~60HZ)
Motor parameters (rear wheel )	19.2V 5.3 inch motor (Rear drive)
empty wheel (front wheel )	145mm wear-resistant PU wheel
Braking method	Step on the rear wheel fender to brake
Size	about 76x31x(79-90)cm
Quality	Gross weight 4.85kg
Low battery protection	A beeping alarm will sound when there is 15% battery remaining.
Package size	77x14.5x32cm