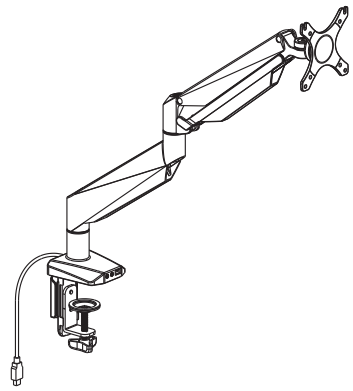


Item #: 16598

Installation guide



M4X12MM
A (4PCS)

M5X12MM
B (4PCS)

M6X12MM
C (3PCS)

M6X10MM
D (2PCS)

φ 6.5X φ 13X1.8
F (8PCS)

4X4 Allen key
G (1PCS)

5X5 Allen key
H (1PCS)

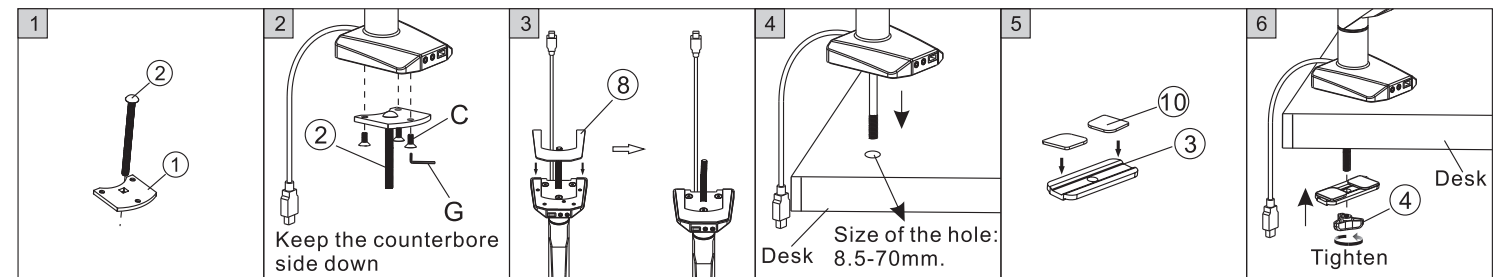
① Bottom support 1	1PCS	
② Screw	1PCS	
③ Washer	1PCS	
④ Butterfly knob	1PCS	
⑤ Bottom support 2	1PCS	
⑥ Knob	1PCS	
⑦ Cable cover	1PCS	
⑧ Anti-slip rubber 1	1PCS	
⑨ Anti-slip rubber 2	1PCS	
⑩ Anti-slip rubber 3	2PCS	



STEP2-B

Option 2: Install the bracket to the desk

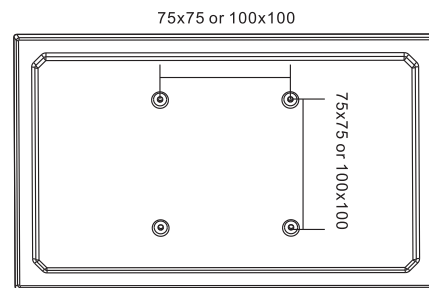
▲ For table thickness: 25-100mm



STEP1

Preparations before installing monitor

1. Make sure there are VESA holes 100x100mm or 75x75mm in the monitor. If not, the mount couldn't be installed.
2. Remove the original fixed base of monitor. Be careful not to scratch the screen.

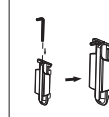


STEP3

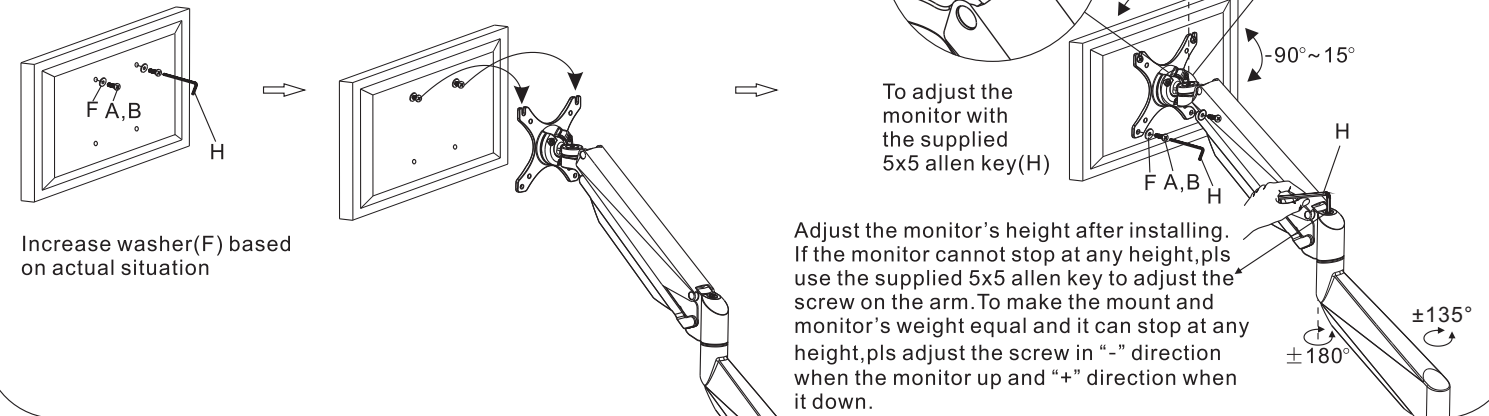
Attaching the monitor to the plate



Attention
Please put the 5*5 wrench into the cable cover after installation for future usage!



To adjust the monitor with the supplied 4x4 allen key (G)

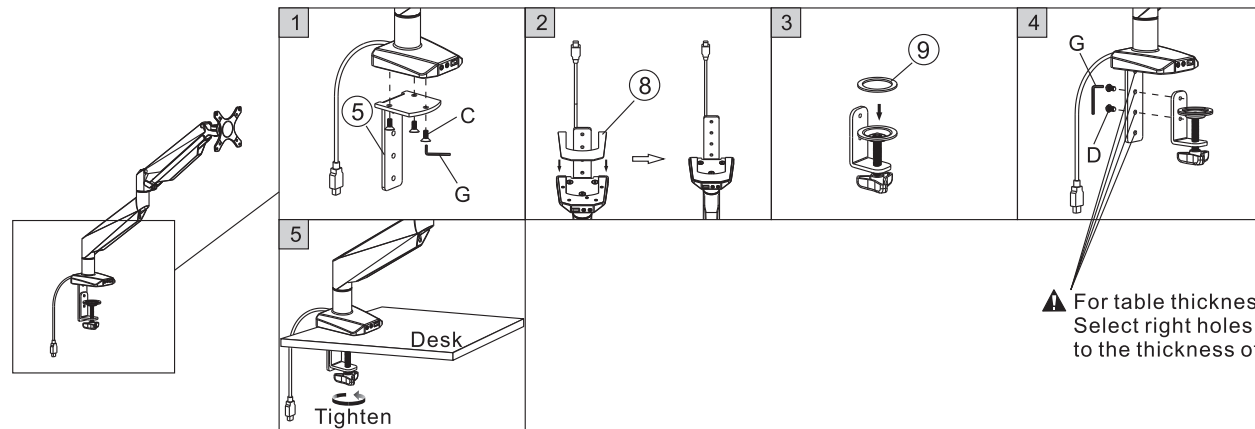


Increase washer (F) based on actual situation

To adjust the monitor's height after installing. If the monitor cannot stop at any height, pls use the supplied 5x5 allen key to adjust the screw on the arm. To make the mount and monitor's weight equal and it can stop at any height, pls adjust the screw in "-" direction when the monitor up and "+" direction when it down.

STEP2-A

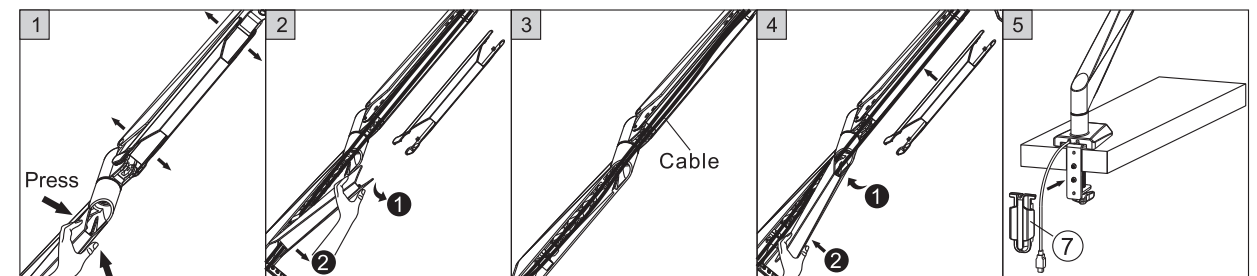
Option 1: Install the bracket to the desk



▲ For table thickness: 20-120mm
Select right holes according to the thickness of desk

STEP4

Using cord management





CAUTION

This product contains small items that could be a choking hazard if swallowed. Keep these items away from young children.

- Make Sure these instructions are read and completely understood before attempting installation. If you are unsure of any part of this installation, please contact a professional installer for assistance.
- The desk or mounting surface must be capable of supporting the combined weight of the mount and the display, otherwise the structure must be reinforced.
- please check joint parts every two months, making sure the screws are loosened or not.

This product was designed to be installed on desk. Before installing, make sure the mount will support the combined load of the equipment and hardware. Never exceed the maximum load capacity 9 KG, or else it may result in product failure or personal injury.

Note: this product is intended for indoor use only. Use of this product outdoors could lead to product failure or personal injury.

Manufacturer: LOCTEK ERGONOMIC TECHNOLOGY CORP.

Factory Address: No.588 Qihang South Road, Binhai Industrial Zone, Yinzhou District, Ningbo China. ZIP code: 315145

Tel: 86-574-88070236/88070218

Fax: 86-574-88098788

Email: sales1@china-logitek.com sales2@china-logitek.com

Web: www.loctek.com

www.globalsources.com/logitek.co

www.china-logitek.com