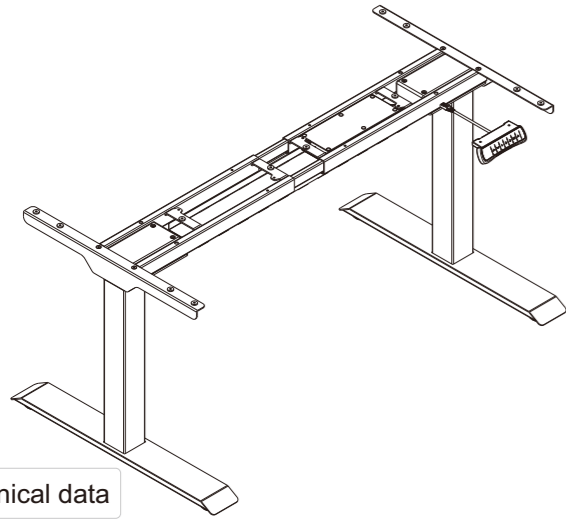


MojoDesk 2020 Assembly Guide



Technical data

Column Stage	3
Max. Weight Capacity	275 lbs
Height Range	22.8-48.4 inch
Width Range	43.3-74.8 inch

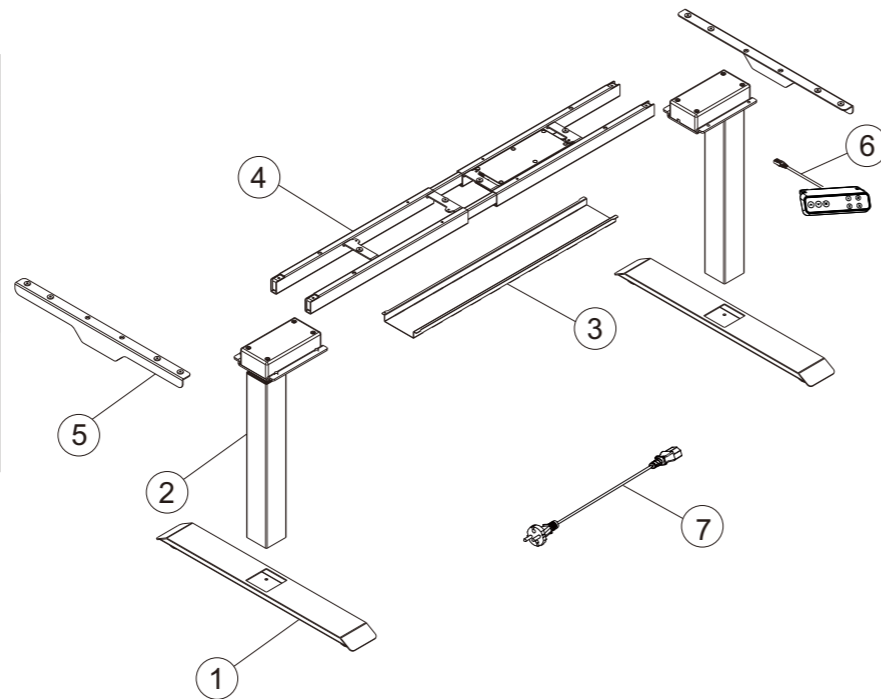
Accessory list

Attention: The drawings below are for guidance only and they may differ slightly from the product and fittings received. Please contact our customer service department should you have any queries.

No.	Image	Spec	Qty
A		M6	4
B		M6	4
C		M6	8
D		M6	12
E		St4.2	16
F		Allen Key 4x4mm	1

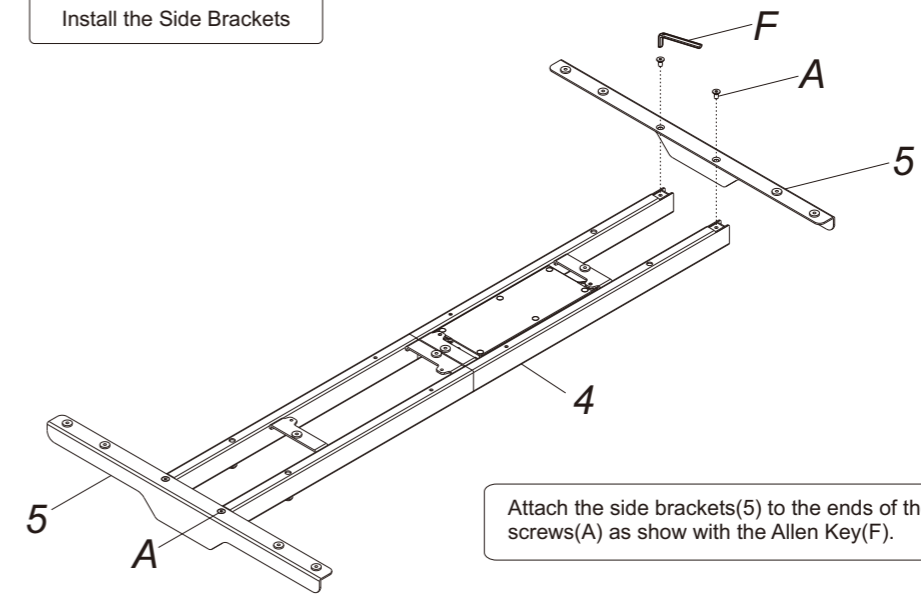
Component list

①		2	②		2
③		1	④		1
⑤		2	⑥		1
⑦		1			



STEP 1

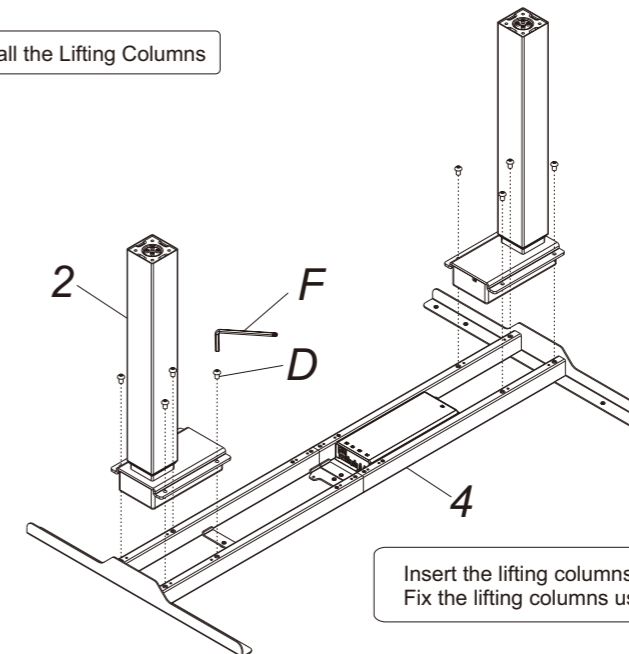
Install the Side Brackets



Attach the side brackets(5) to the ends of the supporting beam (4) using screws(A) as show with the Allen Key(F).

STEP 2

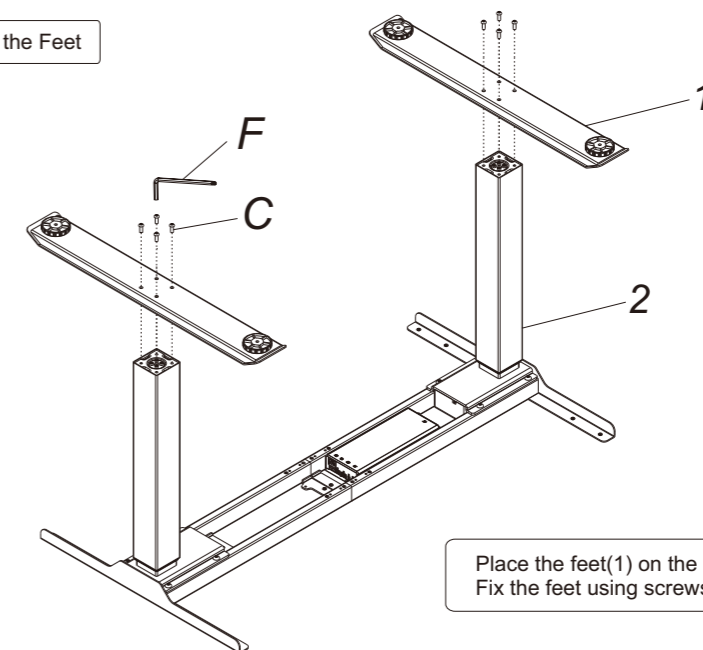
Install the Lifting Columns



Insert the lifting columns (2) into the ends of the supporting beam(4). Fix the lifting columns using screws(D) with the Allen Key(F).

STEP 3

Install the Feet



Place the feet(1) on the bottom of the lifting column(2). Fix the feet using screws(C) with Allen Key(F).

STEP 4

Install the Tabletop

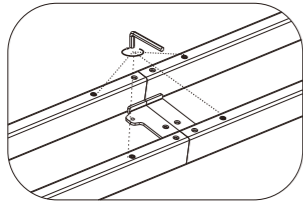
E x12



F 4x

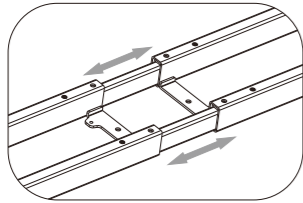
1

Loosen all 4 support beam set screws



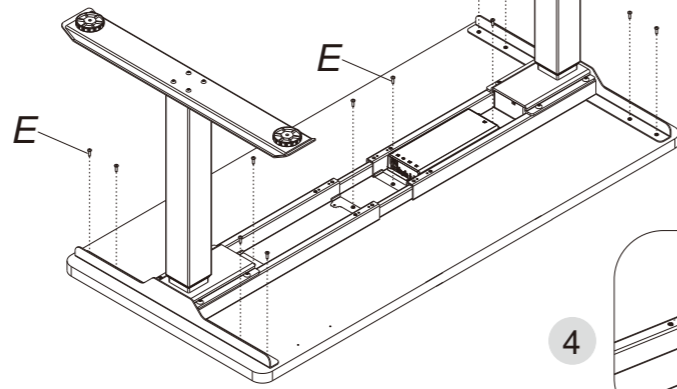
2

Adjust base width to match worksurface holes



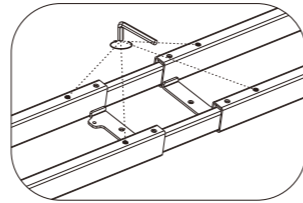
3

Use screw E to attach base to worksurface - 12x



4

Tighten all 4 set screws



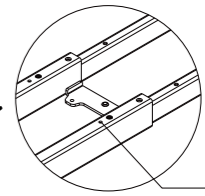
Method 2 for 72" wide MojoDesk

B x4

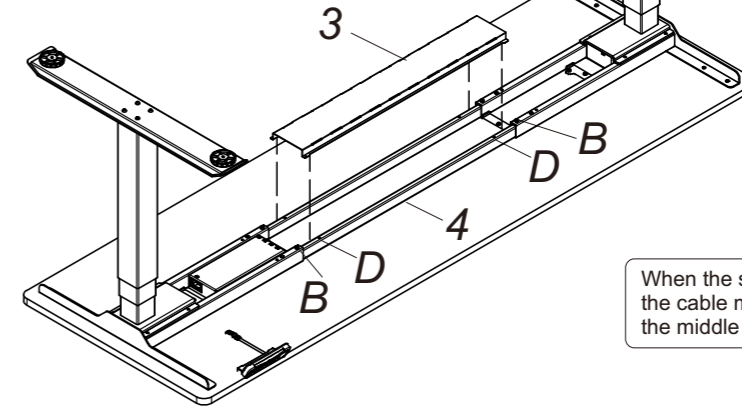
D x4

F 4x4

First, partially insert the screws (B and D) into the inner supporting beam (4) with Allen Key (F), which means do not tighten them. Next, insert one side of the cable management tray (3) under the screw heads (D), then the other side. Finally, tighten the screws (B and D) with Allen Key (F).



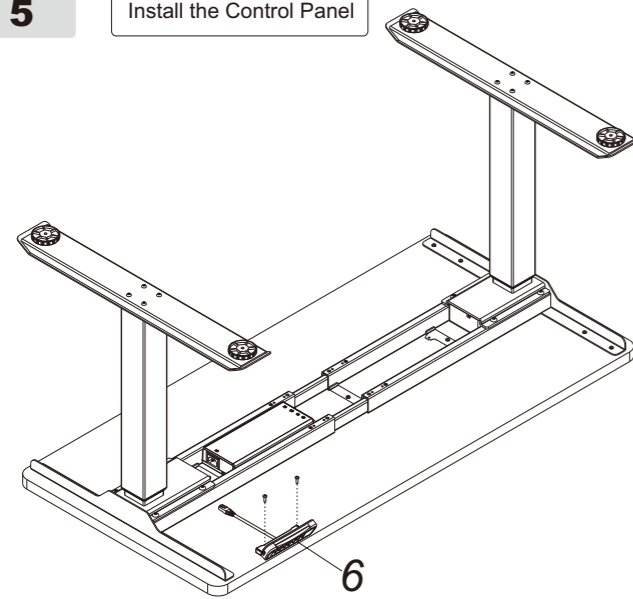
Do not stretch the support beam beyond this hole



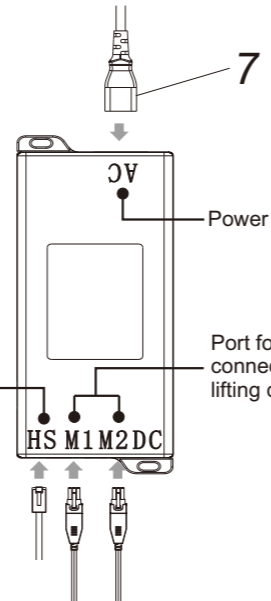
When the supporting beam stretches over 67.7inch, the cable management tray needs to be mounted on the middle of the supporting beam.

STEP 5

Install the Control Panel



7



Power

Port for control panel

Port for cable connected to the lifting column

HS M1 M2 DC

Troubleshooting

The following tips help identify and eliminate common faults and errors. If the fault is not listed below, please contact MojoDesk. Our customer support team is here to assist.

Problem	Solution
No response when pressing and holding the DOWN button	1. Check if all cables are well connected 2. Contact MojoDesk support
No response while pressing the UP button and the DOWN button at the same time	1. Check if all the cables are well connected 2. Contact MojoDesk support
Lifting speed is slow	1. Check if overloaded, max load: 250 lbs 2. Contact MojoDesk support
Desk does not move as instructed	1. Contact MojoDesk support
Desk goes down but not up	1. Reset desk 2. Contact MojoDesk support
Desk moves down without button press	1. Check if overloaded, max load: 250 lbs 2. Contact MojoDesk support
Frequently needs to be reset	1. Check if overloaded, max load: 250 lbs 2. Contact MojoDesk support
Overuse (Duty cycle: Max 2min on/18min OFF)	1. Resume use after 18min rest 2. Contact MojoDesk support
Limited up & down range	1. Press "M" and "3" together for 3 seconds or more, after hearing continuous beeping twice, it will restore factory settings 2. Contact MojoDesk support



Attention

- Power supply: AC100V-240V,50/60Hz
- Service Environment: 0-40°C
- Unplug the power plug before cleaning, wipe the dust on surface with damp cloth when cleaning, be careful not to let water get into the internal parts.
- The control box contains electronic components, metals, plastics, wires etc., so dispose of it in accordance with your country's environmental legislation, not in the general household waste.
- Check carefully to ensure correct and complete assembly before using.
- Be familiar with all functions and program settings of the product before first use.
- Do not let children play on the MojoDesk
- Do not use corrosive or abrasive materials to clean your MojoDesk. Use cleaners that will not pollute the environment.
- Cleaning and user maintenance shall not be made by children without supervision.
- If the power cord is damaged, contact MojoDesk support for a replacement.
- Please make sure there are no hazard sources in your operating environment. e.g., do not litter the tools around. Properly dispose of packaging materials to avoid any possible choking hazards to children.
- Keep the original packaging in case of return to MojoDesk.

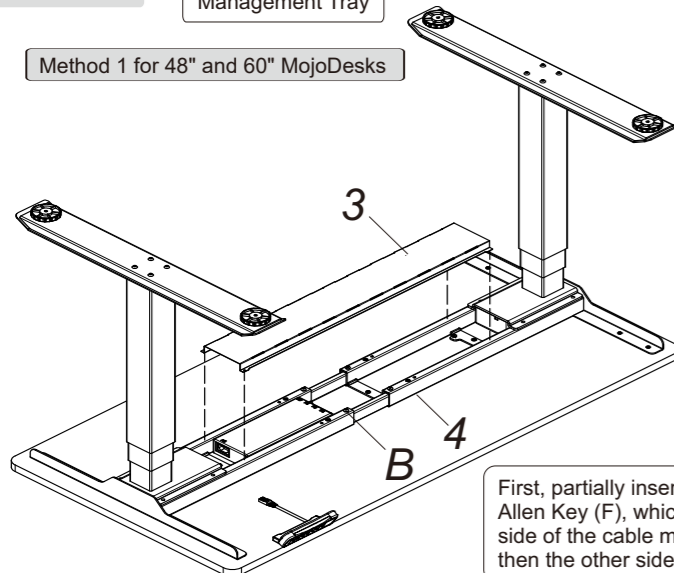
STEP 6

Install the Cable Management Tray

B x4

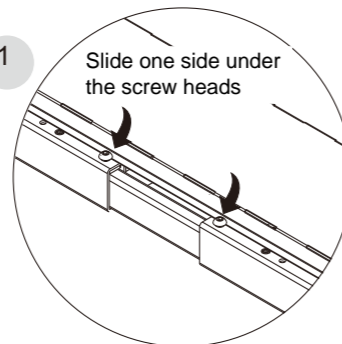
F 4x4

Method 1 for 48" and 60" MojoDesks



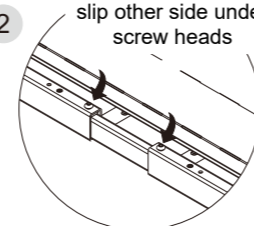
1

Slide one side under the screw heads



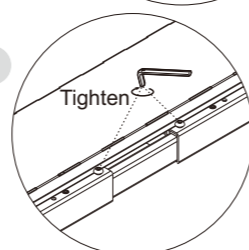
2

Squeeze tray and slip other side under screw heads



3

Tighten



First, partially insert the screws (B) into the supporting beam (4) with Allen Key (F), which means do not tighten them. Next, insert one side of the cable management tray (3) under the screw heads (B), then the other side. Finally, tighten the screws (B) with Allen Key (F).

Waste disposal



This marking indicates that this product should not be disposed with other household wastes. To prevent possible harm to the environment or human health from uncontrolled waste disposal, recycle it responsibly. To return your used device, please use the return and collection systems or contact the retailer where the product was purchased. They can take this product for environmentally safe recycling.

Need Help?

Visit [MojoDesk.com/help](https://www.mojoDesk.com/help)

Need more help? call 800-297-6656

Help online? @MojoDesk