

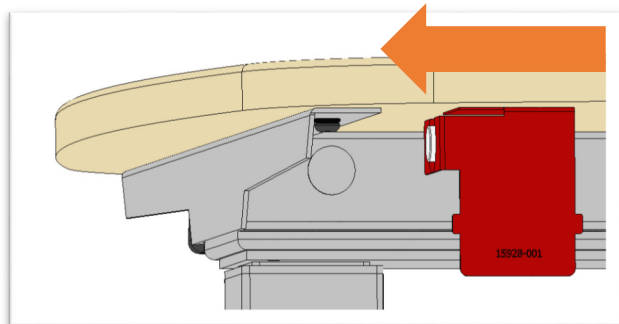


MAGicSnap Energy Chain Installation Instructions

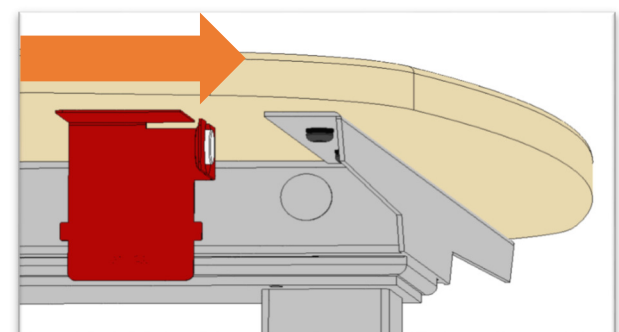
Part #: 15896
November 2017

Step 1

View from Back of Desk

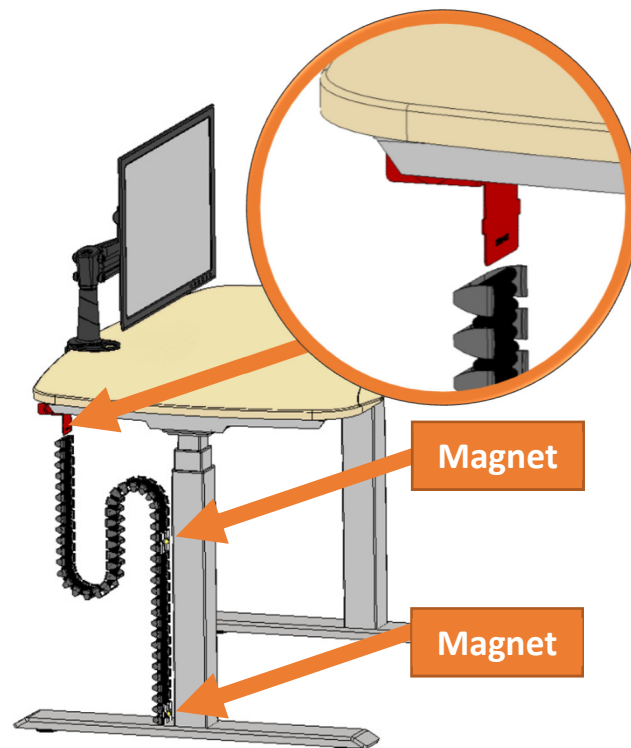


To attach the MAGicSnap Energy Chain to the **LEFT** side of the table



To attach the MAGicSnap Energy Chain to the **RIGHT** side of the table

Step 2

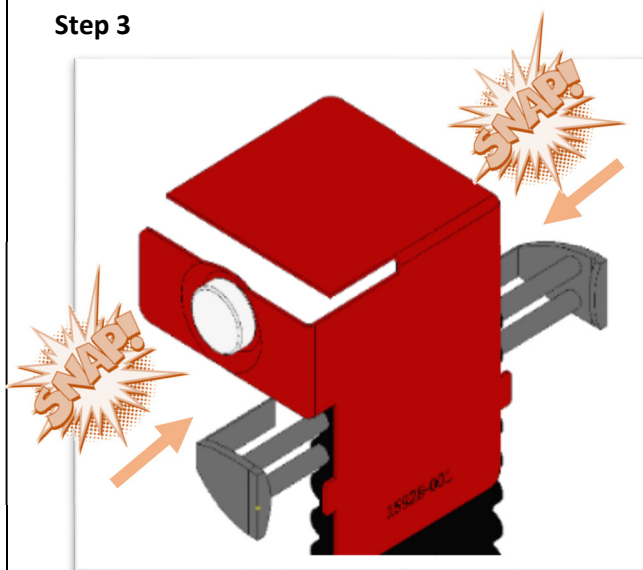


Magnet

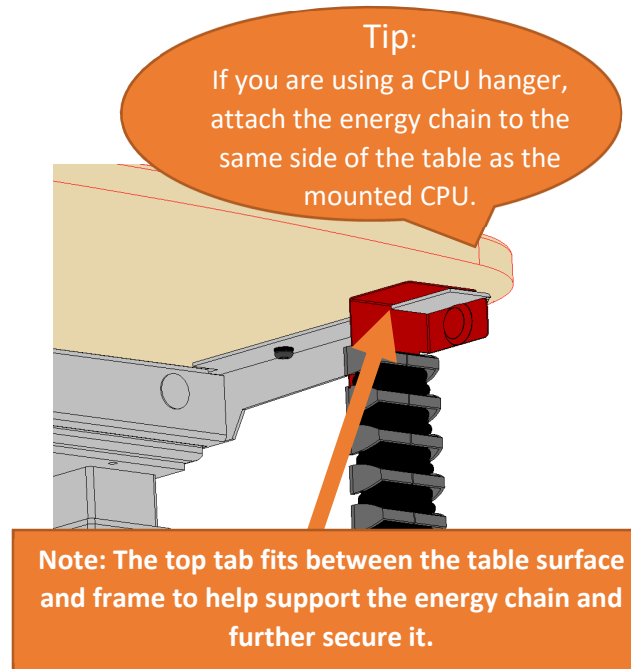
Magnet

Allow enough slack raise and lower table to highest and lowest position

Step 3



Step 4

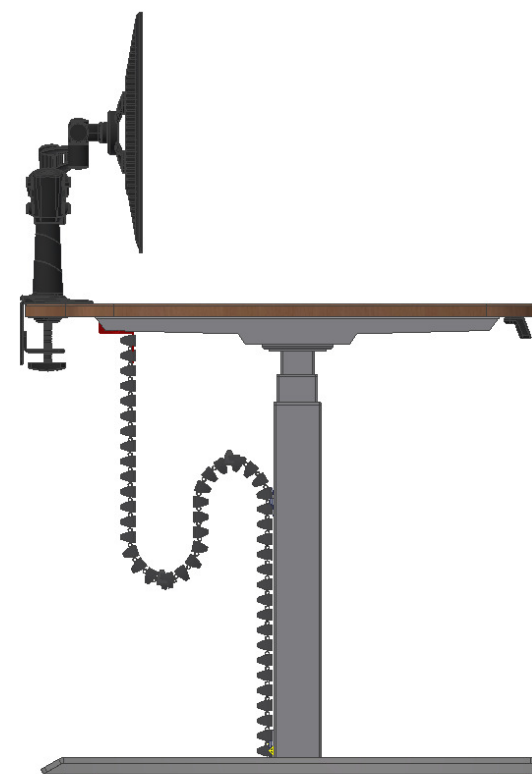


Tip:

If you are using a CPU hanger, attach the energy chain to the same side of the table as the mounted CPU.

Note: The top tab fits between the table surface and frame to help support the energy chain and further secure it.

Step 5



Step 6

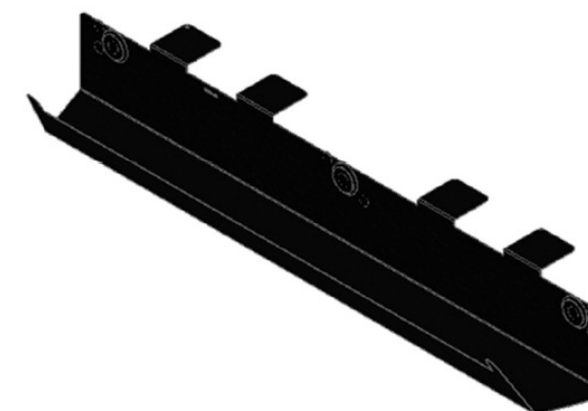


Step 7



Add additional cable management as necessary. Remove backer from white adhesive strips and place on desired location.

Step 8



Consider the MAGicSnap Cable Tray for additional cabling solutions

