



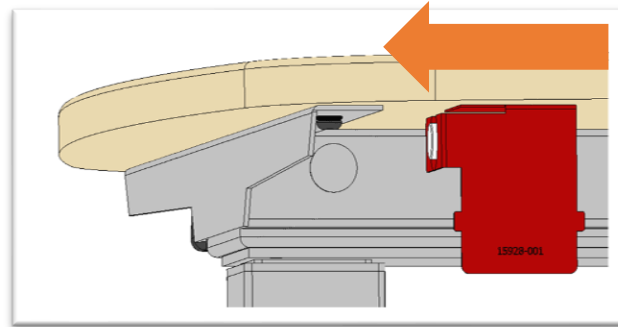
MAGicSnap Energy Chain Installation Instructions

Part #: 15896

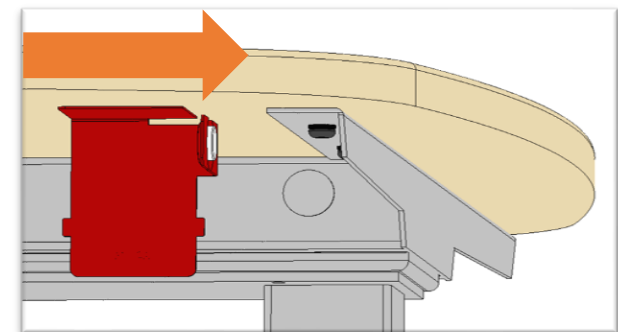
November 2017

Step 1

View from Back of Desk

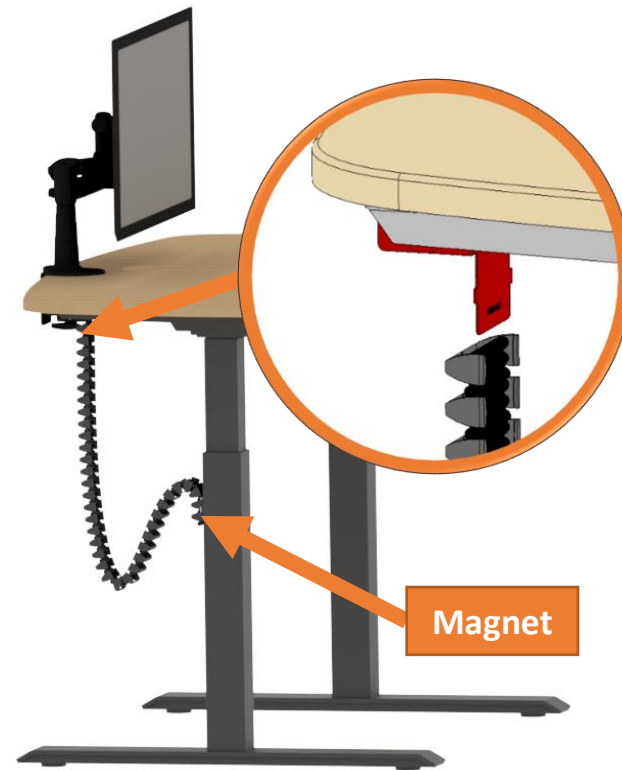


To attach the MAGicSnap Energy Chain to the **LEFT** side of the table



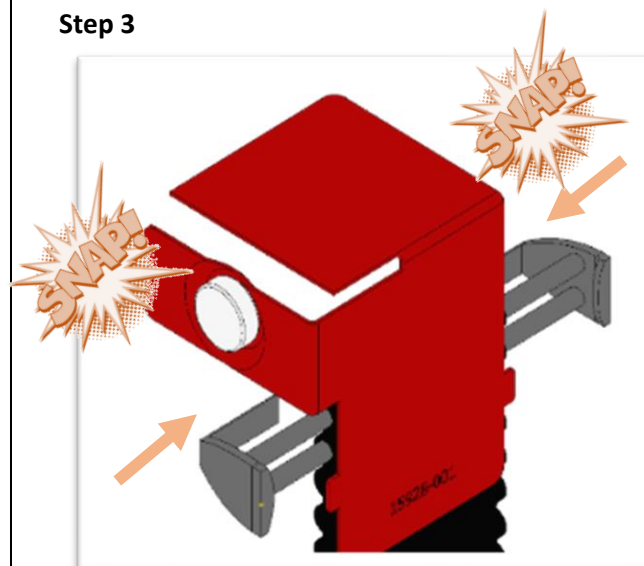
To attach the MAGicSnap Energy Chain to the **RIGHT** side of the table

Step 2

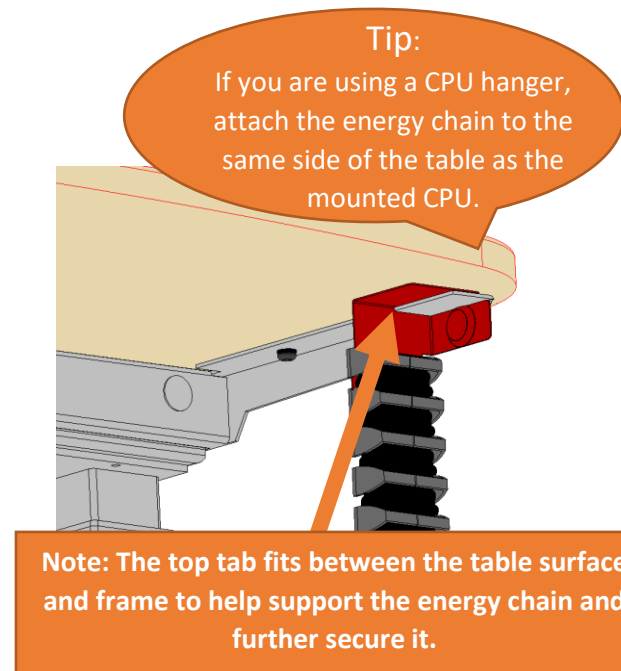


Allow enough slack raise and lower table to highest and lowest position

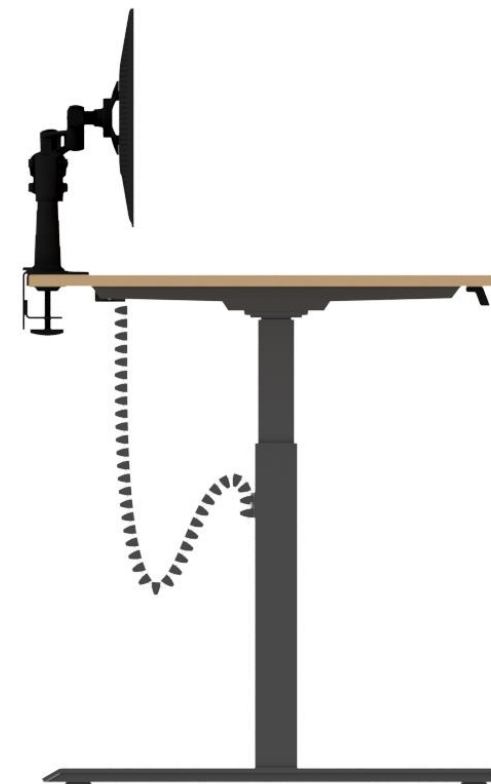
Step 3



Step 4



Step 5



Step 6

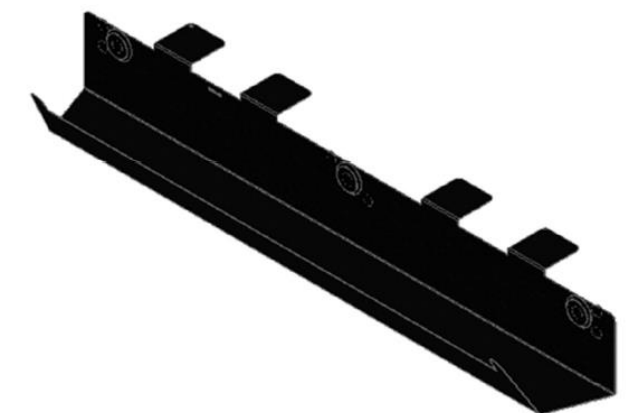


Step 7



Add additional cable management as necessary. Remove backer from white adhesive strips and place on desired location.

Step 8



Consider the MAGicSnap Cable Tray for additional cabling solutions

