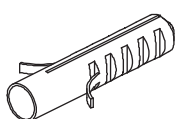
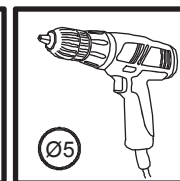
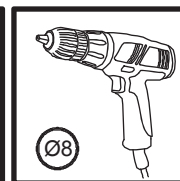
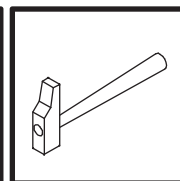
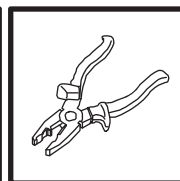
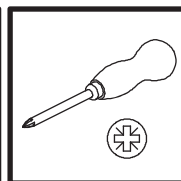
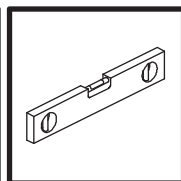
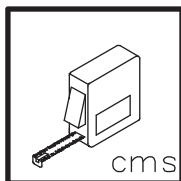
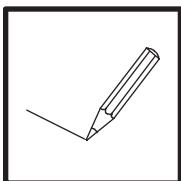
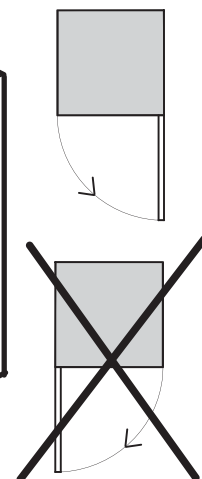
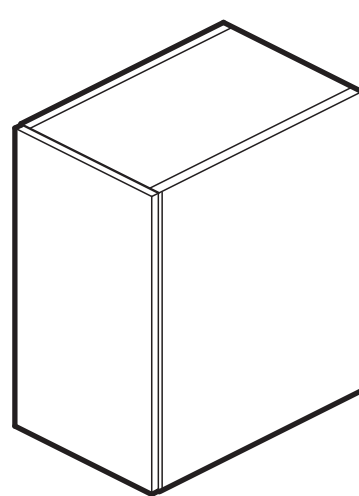
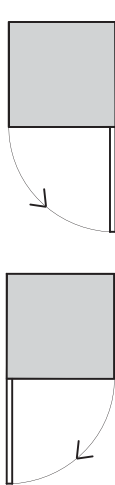
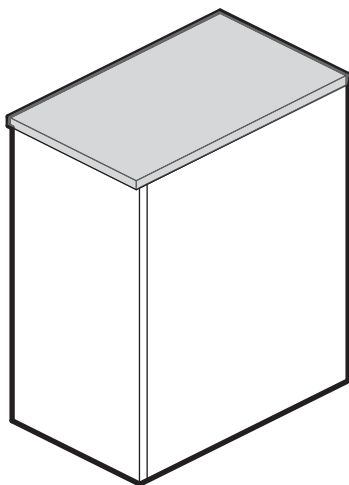
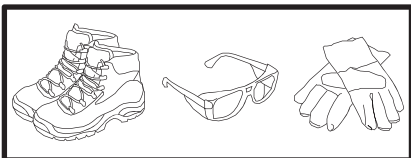
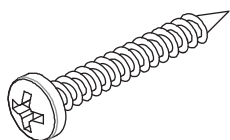


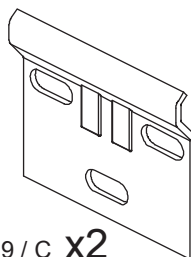
SIDE UNIT SANSA



BO-719 / A **x4**



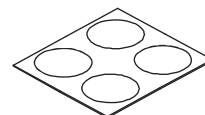
BO-719 / B **x4**



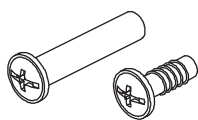
BO-719 / C **x2**



- 132061 **x4**
- 138650 **x4**
- 132062 **x4**
- 138445 **x4**



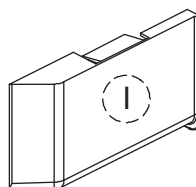
- 112460 **x6**
- 139896 **x6**
- 139799 **x6**
- 142760 **x6**



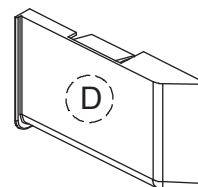
128059 **x2**



BO-814 **x4**

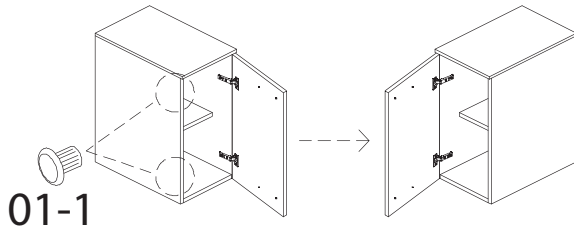
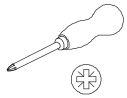


138163 **x1**

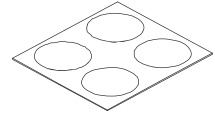


138161 **x1**

01.

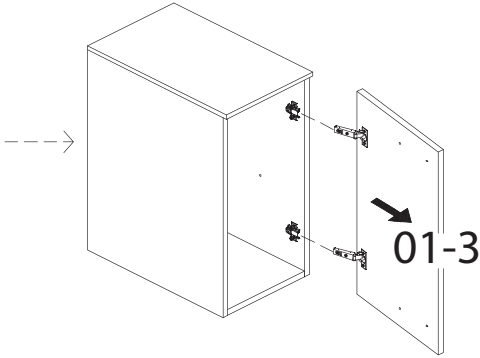
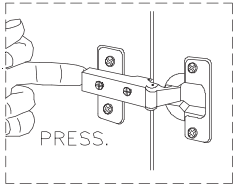


- 132061 x4
- 138650 x4
- 132062 x4
- 138445 x4

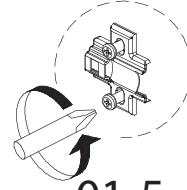


- 112460 x6
- 139896 x6
- 139799 x6
- 142760 x6

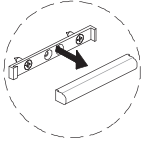
01-2



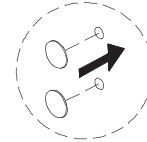
01-4



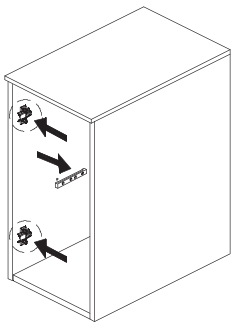
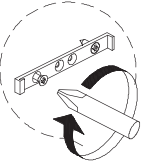
01-6



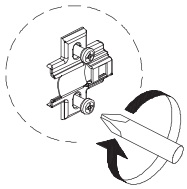
01-5



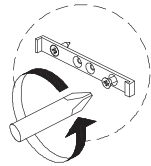
01-7



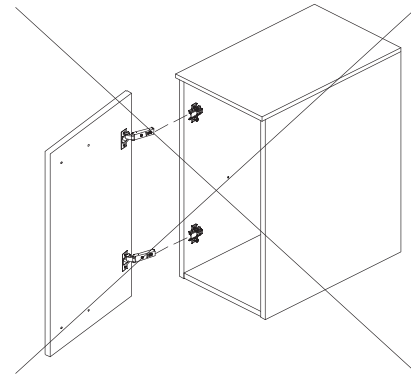
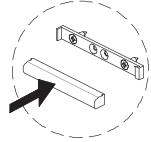
01-8



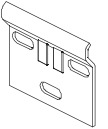
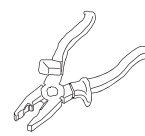
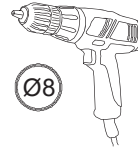
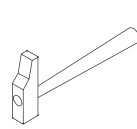
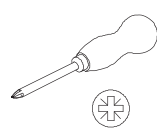
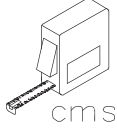
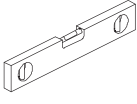
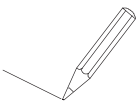
01-9



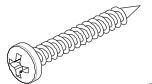
01-10



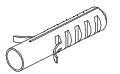
02.



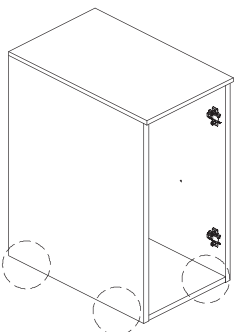
BO-719 x2



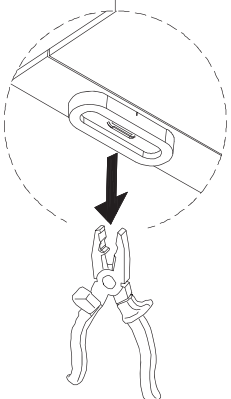
BO-719/B x4



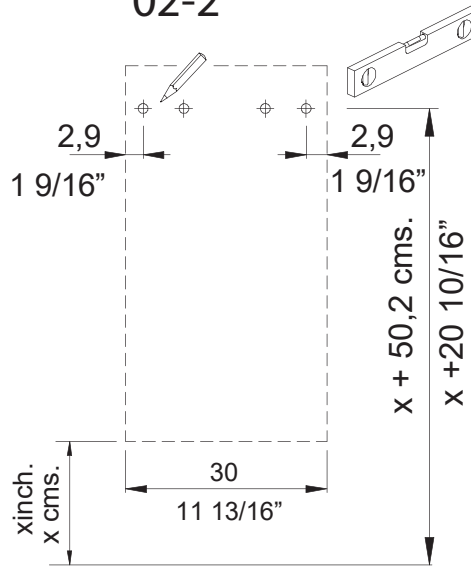
BO-719/A x4



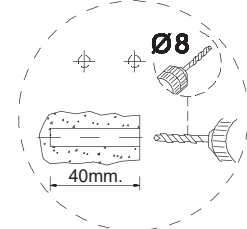
02-1



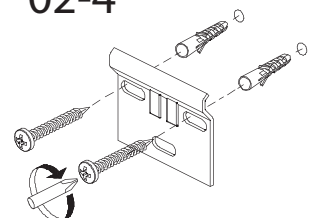
02-2



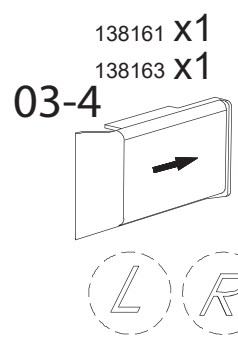
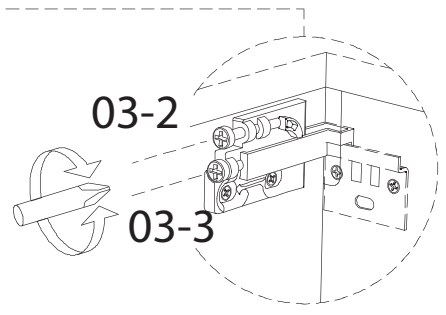
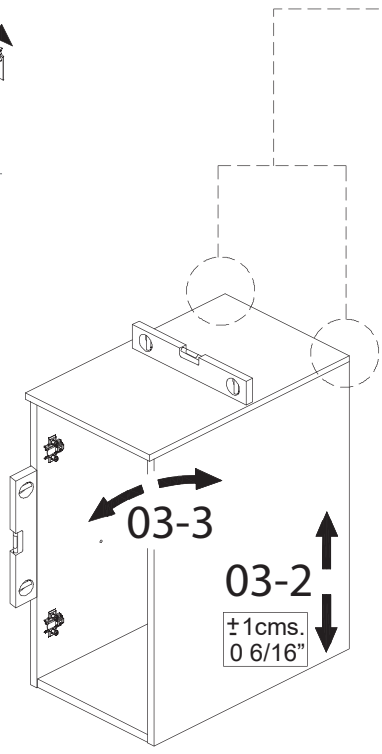
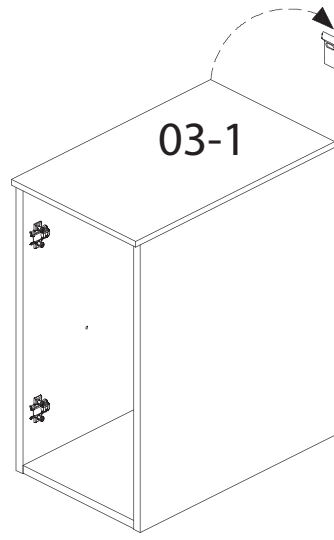
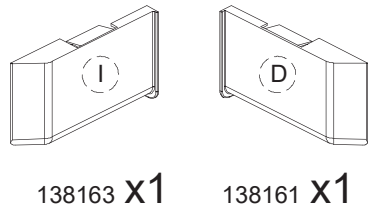
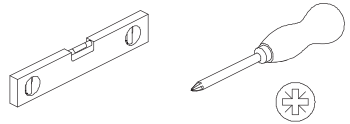
02-3



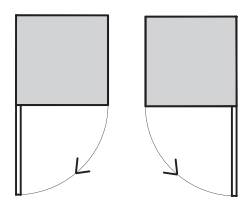
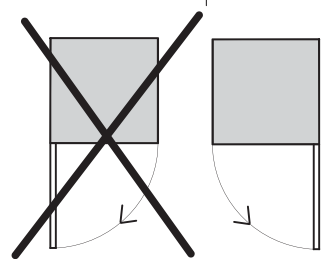
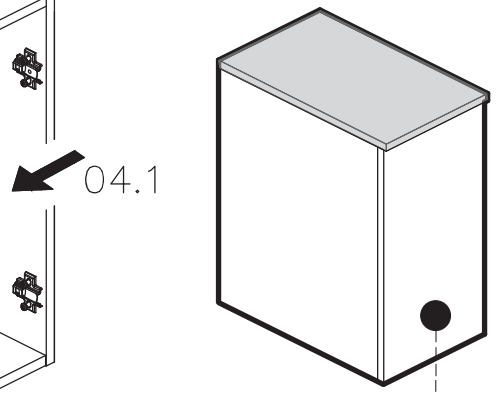
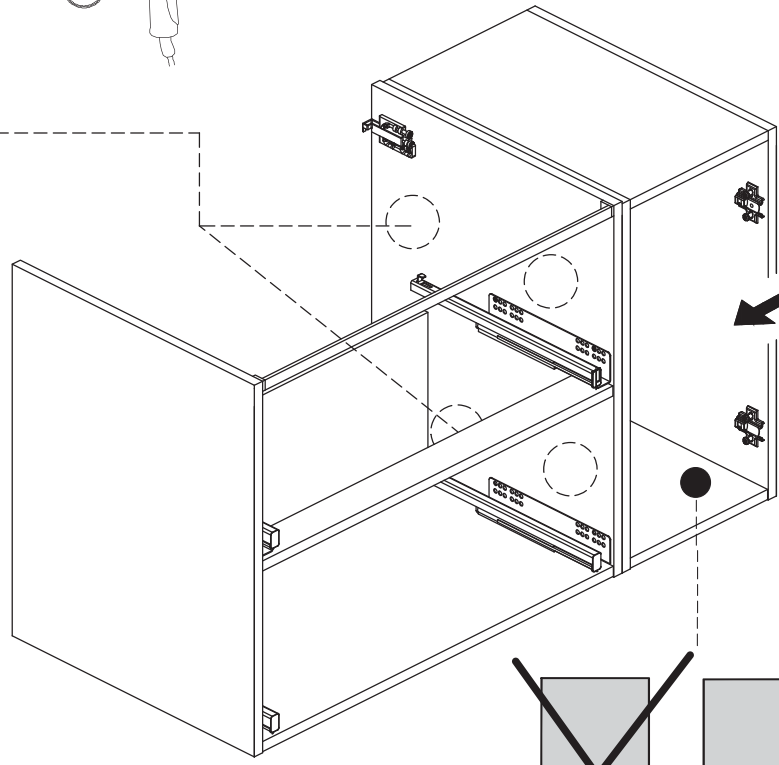
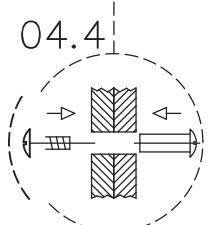
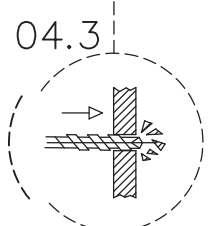
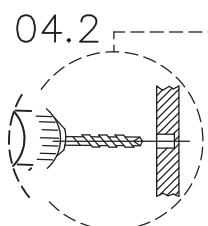
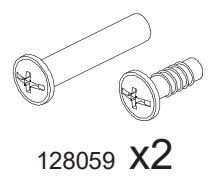
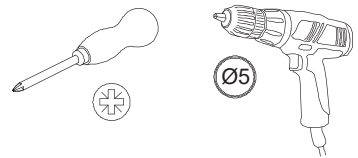
02-4



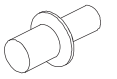
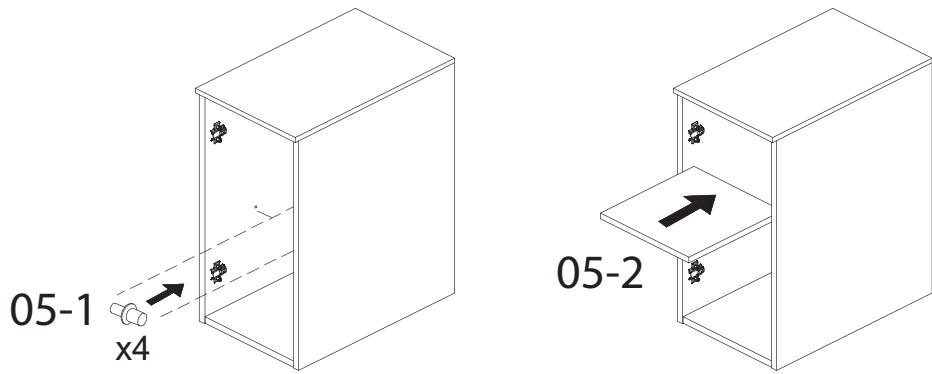
03.



04.

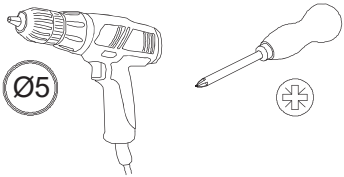


05.

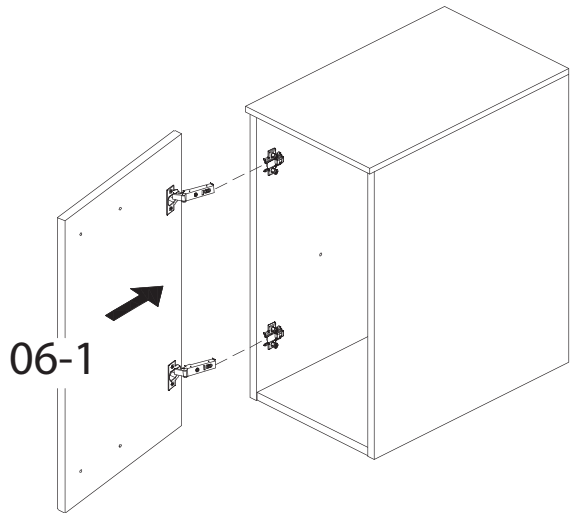


BO-814 X4

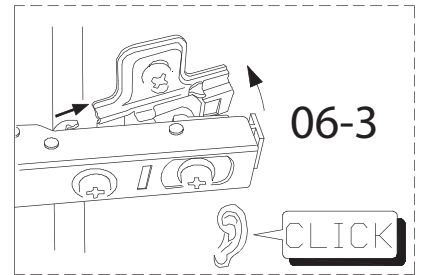
06.



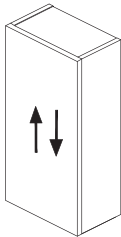
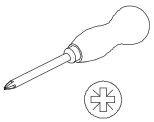
Ø5



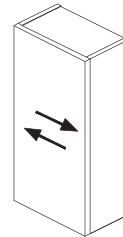
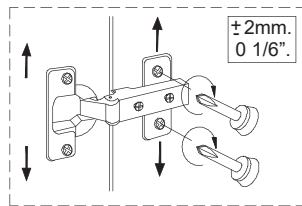
06-2



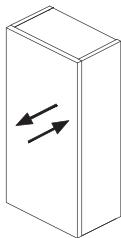
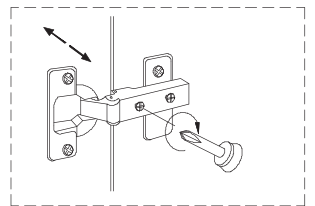
07.



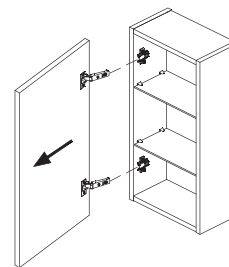
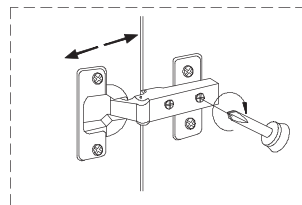
07-1



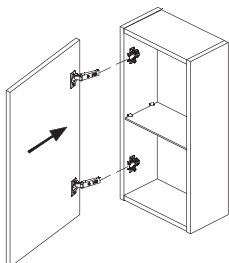
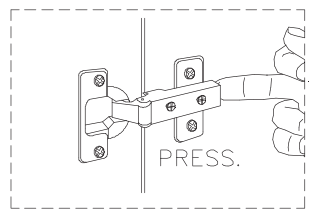
07-2



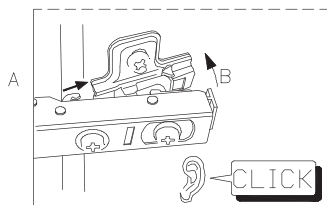
07-3



07-4

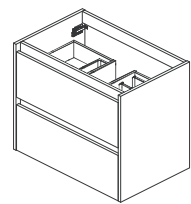
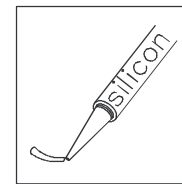
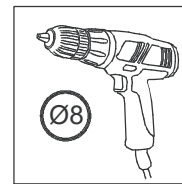
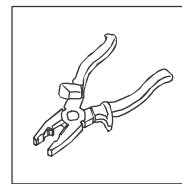
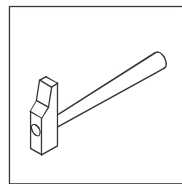
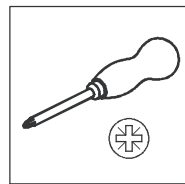
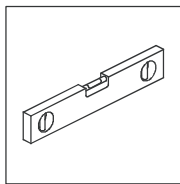
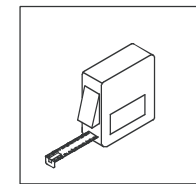
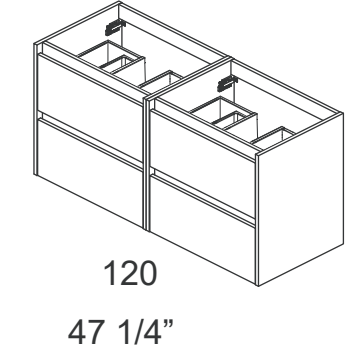
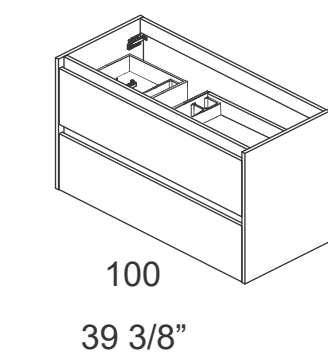
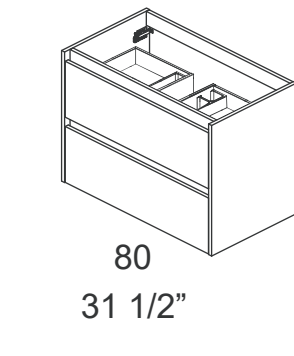
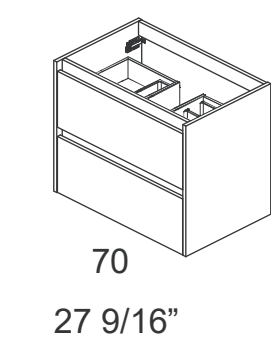
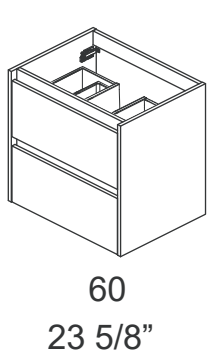
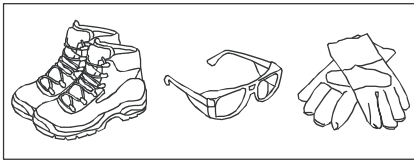


07-5

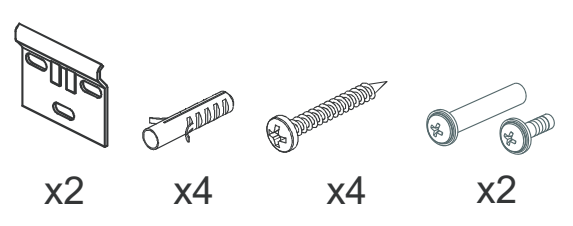
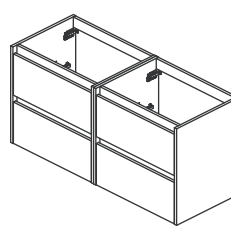


SANSA

1164906
2016-052



60/70/80/100
23 5/8" 27 9/16" 31 1/2" 39 3/8"

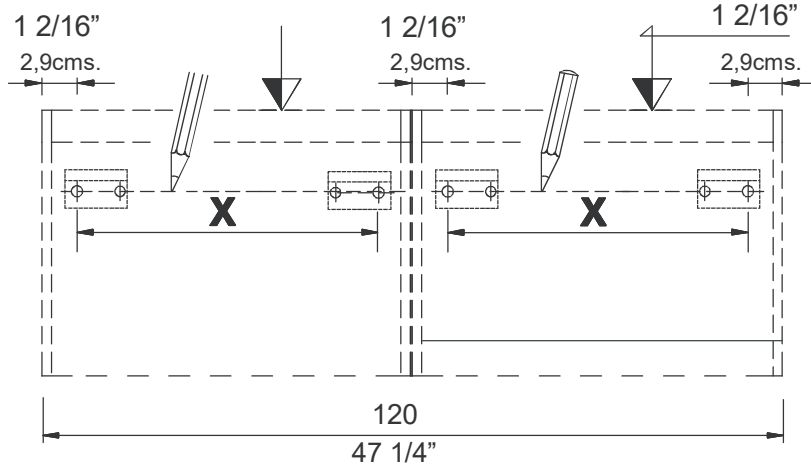
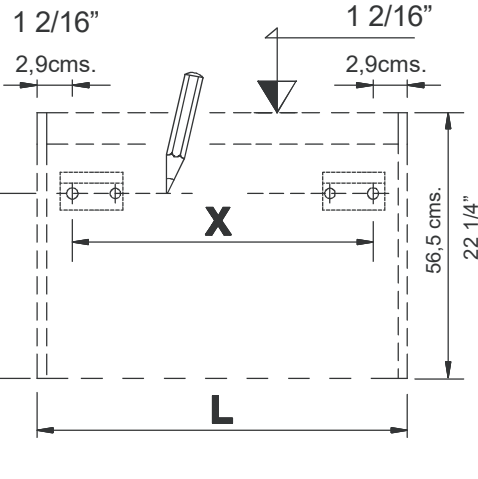


120
47 1/4"

01.



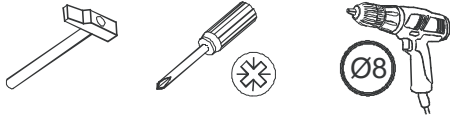
cms.



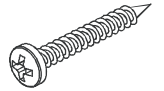
L:60cms.	→	X=53,7cms.
L:70cms.	→	X=63,7cms.
L:80cms.	→	X=73,7cms.
L:100cms.	→	X=93,7cms.
L:120cms.	→	X=53,7cms.

L:23 5/8"	→	X=21 2/16"
L:27 9/16"	→	X=25 1/16"
L:31 1/2"	→	X=29 0/16"
L:39 3/8"	→	X=36 14/16"
L:47 1/4"	→	X=21 2/16"

02.



23 5/8" 27 9/16" 31 1/2" 39 3/8"
 MLV-60/70/80/100 ————— x2
 MLV-120 ————— x4
 47 1/4"



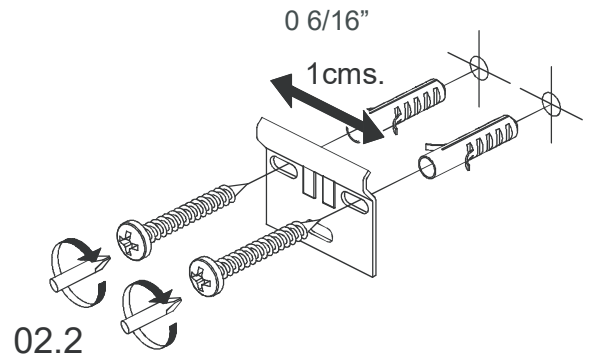
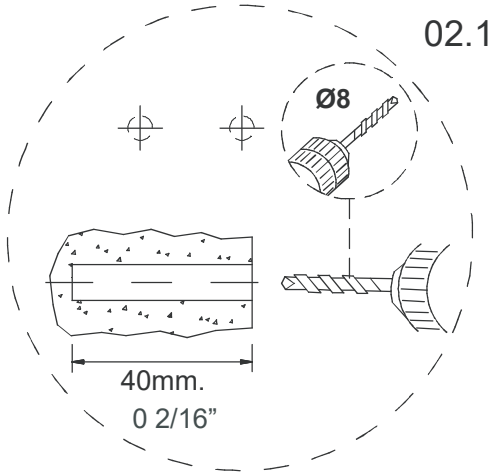
x4

x4

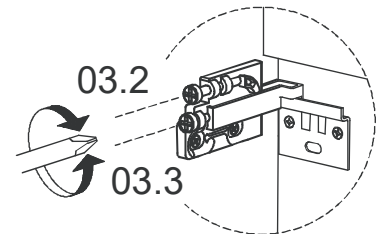
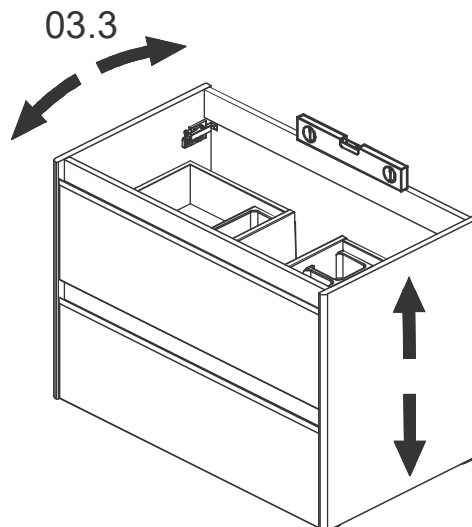
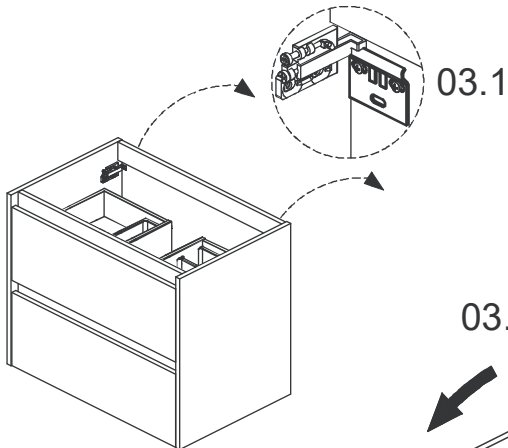
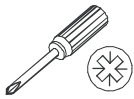
x8

x8

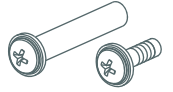
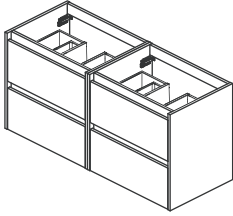
BO-719



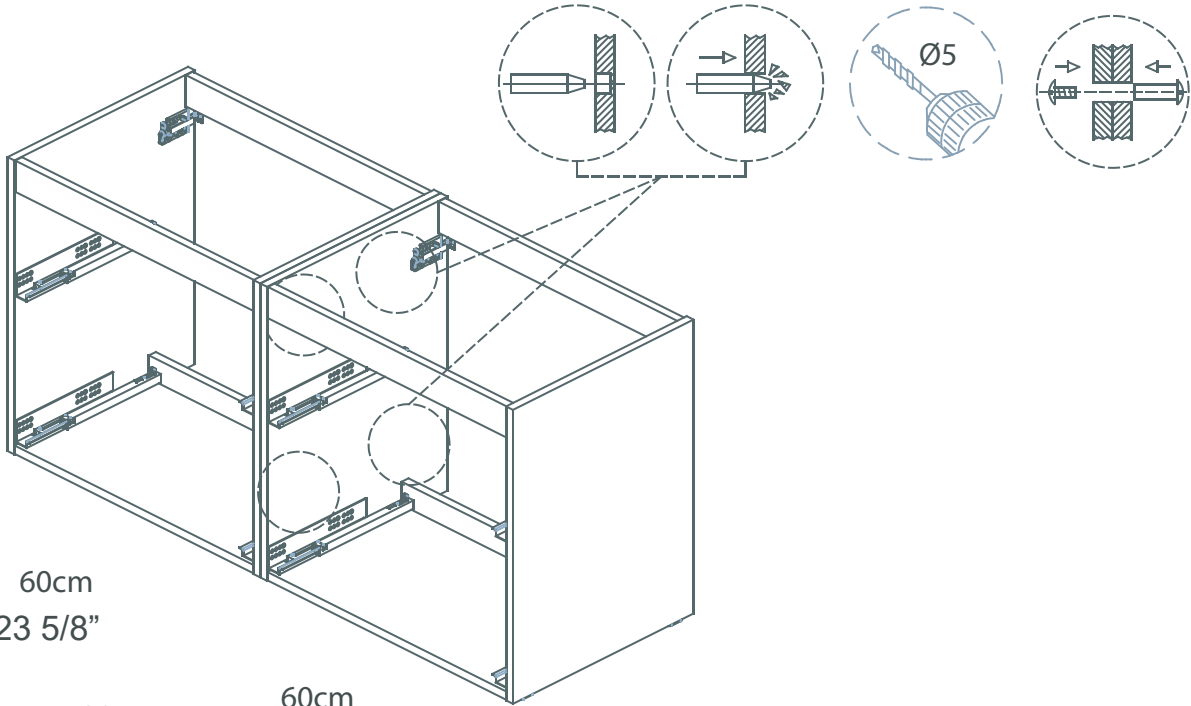
03.



04.



T2x2

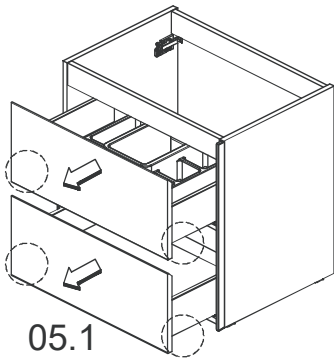


60cm
23 5/8"

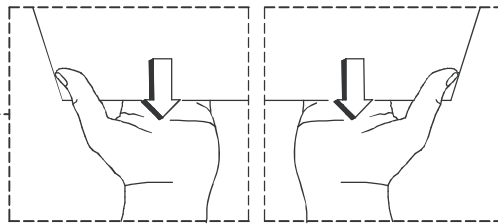
120cm
47 1/4"

60cm
23 5/8"

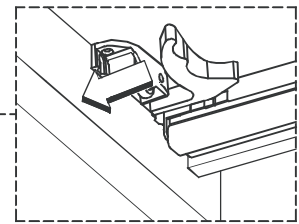
05.



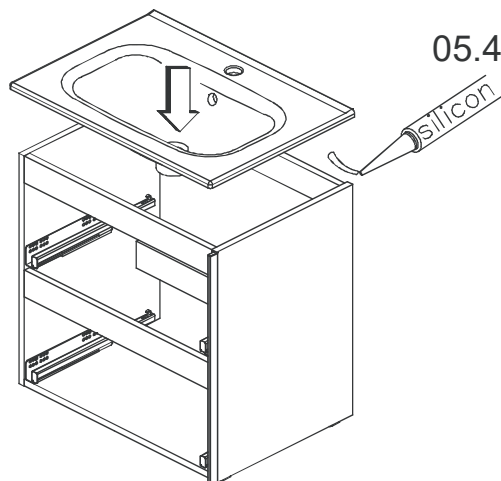
05.1



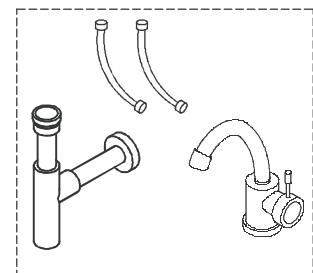
05.2



05.3

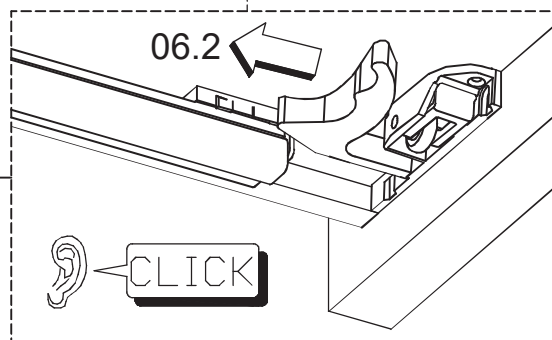
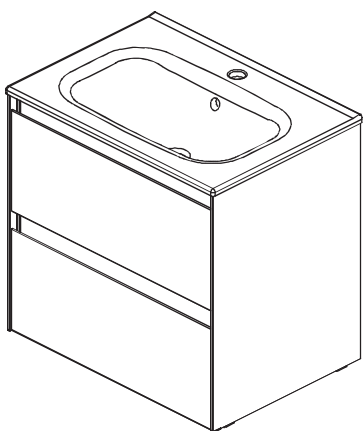
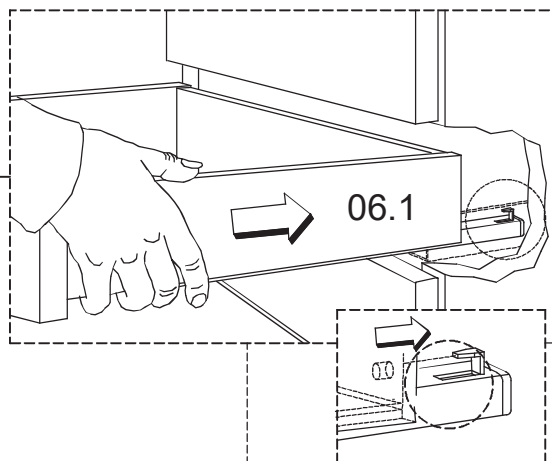
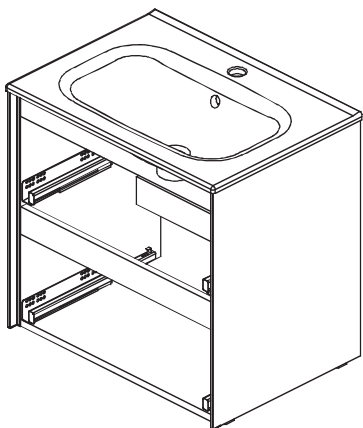


05.4



05.5

06.



07.

