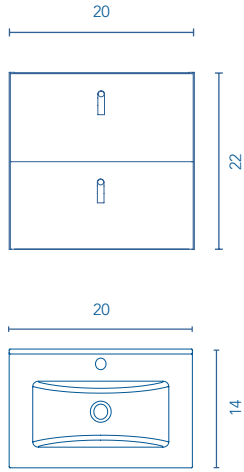


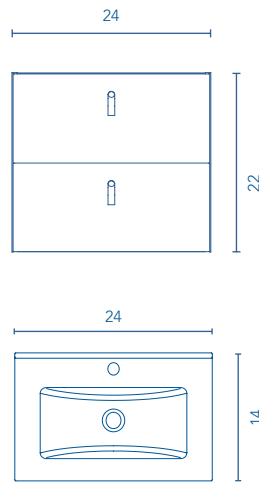
LITTLE

Depth 14

SET · 20 in · 2 Drawers



SET · 24 in · 2 Drawers

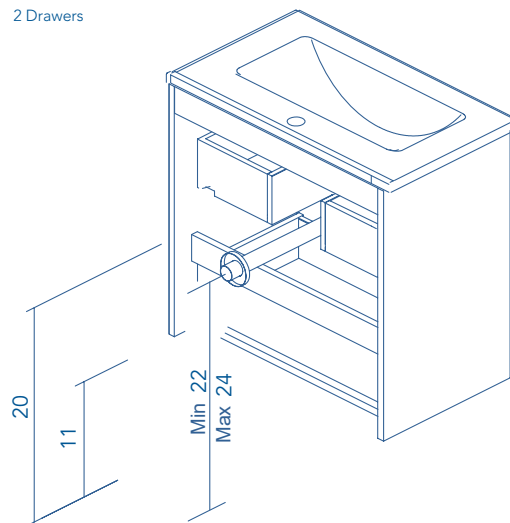


TECHNICAL INFORMATION

- STRUCTURE: Foil wrapped 5/8 in. board
- FRONT: Foil wrapped MDF 5/8 in. board
- HANDLE: Leather handles.
- DRAWER: Drawers made in smoky leather poly laminate coated board with hidden full extraction runners with soft close system. Lower drawer useful space (widthxhighxdepth): 16x4x10 in. (unit 20 in.), 20x4x10 in. (unit 24 in.).
- WALL HANGING BRACKET: Hidden hanging brackets with direct assembling system, great resistance and depth regulation.
- PIPE DEPTH: Space behind drawer is 3 inches.

SIPHON PLACEMENT

2 Drawers



FINISHES



WHITE OAK

GREY ELM

MATT WHITE