

## X-Stone Top/Basin - 72"

## Specification & Installation Guide

### Features

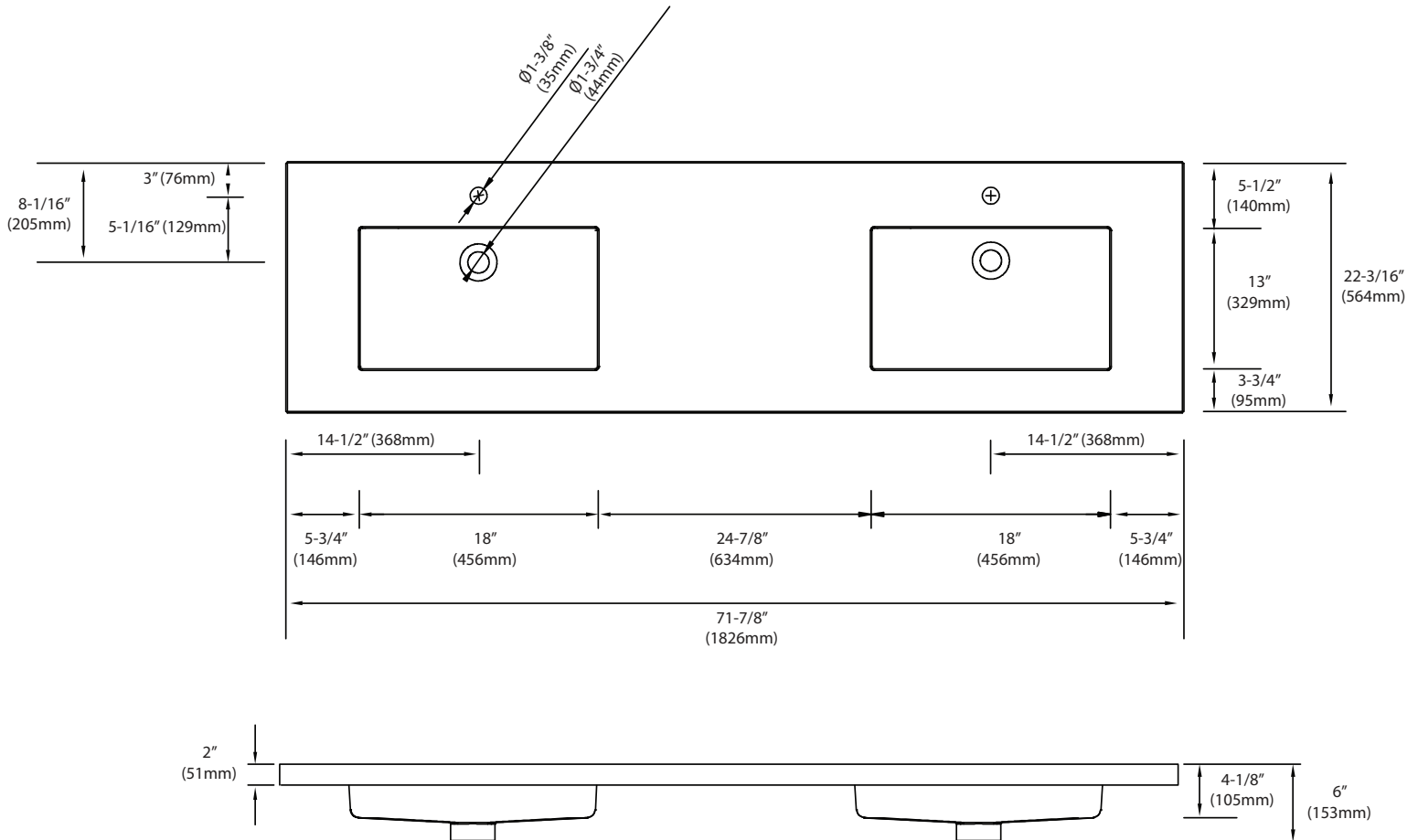
- X-Stone countertop and basin
- Size: 71-7/8"(1826mm)L x 22-3/16"(564mm)W x 2"(51mm)H
- Material: Solid Surface
- Overflow: Yes
- 4"H backsplash & sidesplash: Optional
- Single faucet: XTU2220-72-210-WH (as shown)
- 8" widespread: XTU2220-72-230-WH
- No faucet hole: XTU2220-72-200-WH
- Packaging Dimensions: 75"x 25.2" x 8-1/2"
- Gross Weight: 86 lbs. / 39 kgs.



### Finishes

Glossy White

**Compliance:** CSA B45.5-11/IAPMO Z124-11



**For clarification, please contact Madeli Customer Care at (800)-819-6988 or (305)-718-8817 Ext. 1**

All dimensions are approximate and subject to standard tolerance. Specifications subject to change without prior notice.

## Villa - 72D

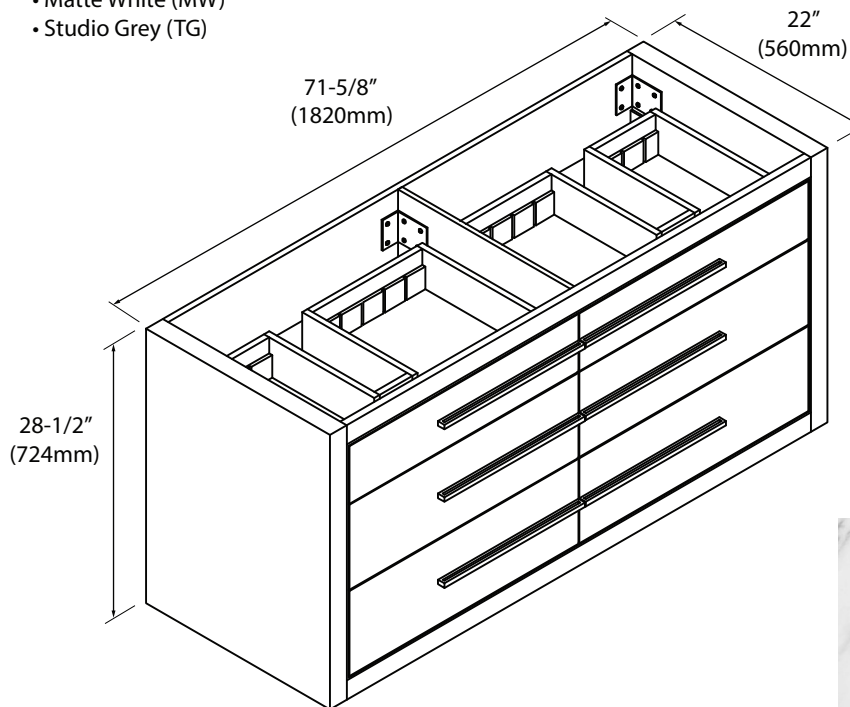
## Specification & Installation Guide

### Features

- Wall mount 72D vanity: 28-1/2"(724mm)H x 22"(560mm)D x 71-5/8"(1820mm)W
- Furniture grade plywood layered with solid wood veneer and protected with several coats of polyurethane.
- Matching finish inside out.
- Six drawers with full-extension soft-close hardware.
- All drawers with adjustable glass dividers.
- Handle/Inlay finish options: polished chrome (PC), brushed nickel (BN), polished nickel (PN), matte black (MB) and satin brass (SB)
- Cabinet furnished assembled.

### Colors/Finishes

- Brandy (BR)
- Matte White (MW)
- Studio Grey (TG)



### Top/Basin options

- Glass countertop with above-counter ceramic basin.
- Glossy White X-Stone 2"H top/basin
- Glossy White X-Stone 4-1/2" H Trough sink
- X-Stone 3/4"H countertop no holes. To be field drilled.
- X-Stone 3/4"H countertop with above-counter ceramic basin
- Quartzstone 3"H countertop with undermount ceramic basin

**NOTE: All 3/4" countertops with undermount sinks including Madeli's Quartzstone QST2208 collection and CB-2015 cannot be used on the Villa-B850 & Estate-B860 vanities.**

### Package Dimensions

76" x 26" x 36"

### Weight

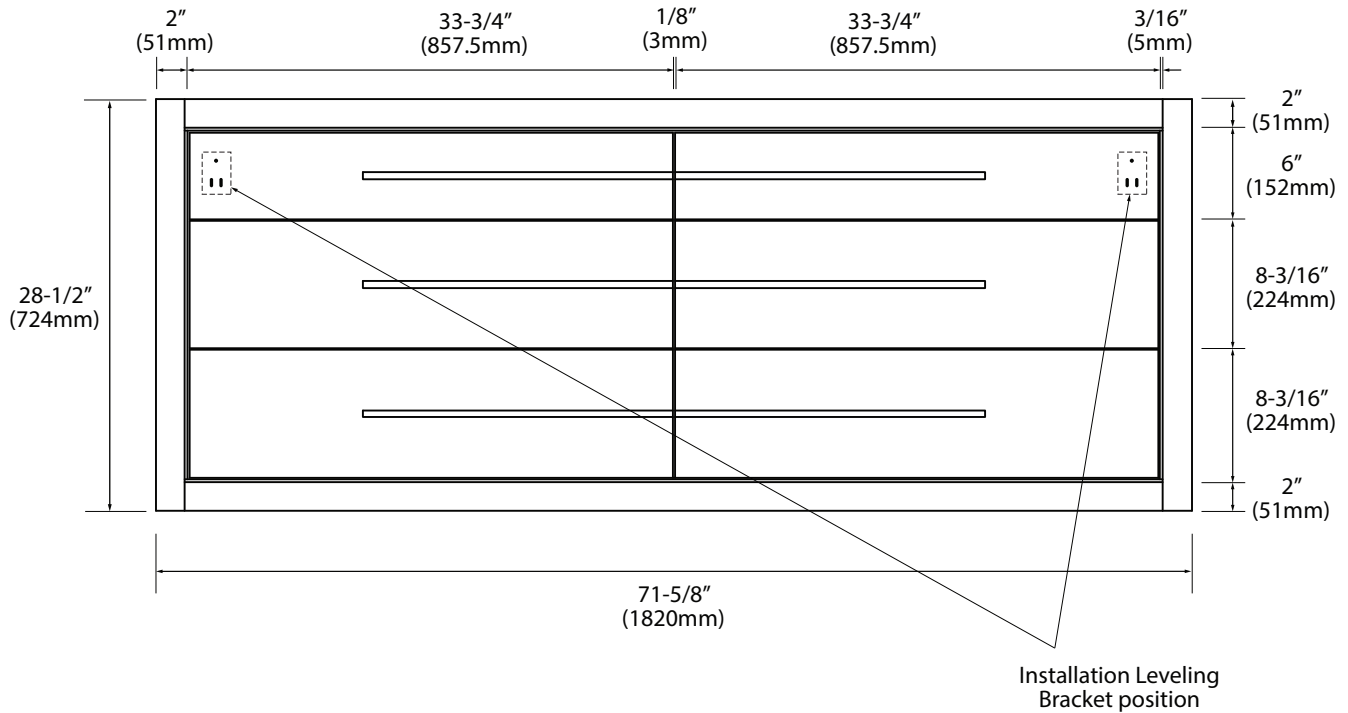
280 lbs/128 kgs.



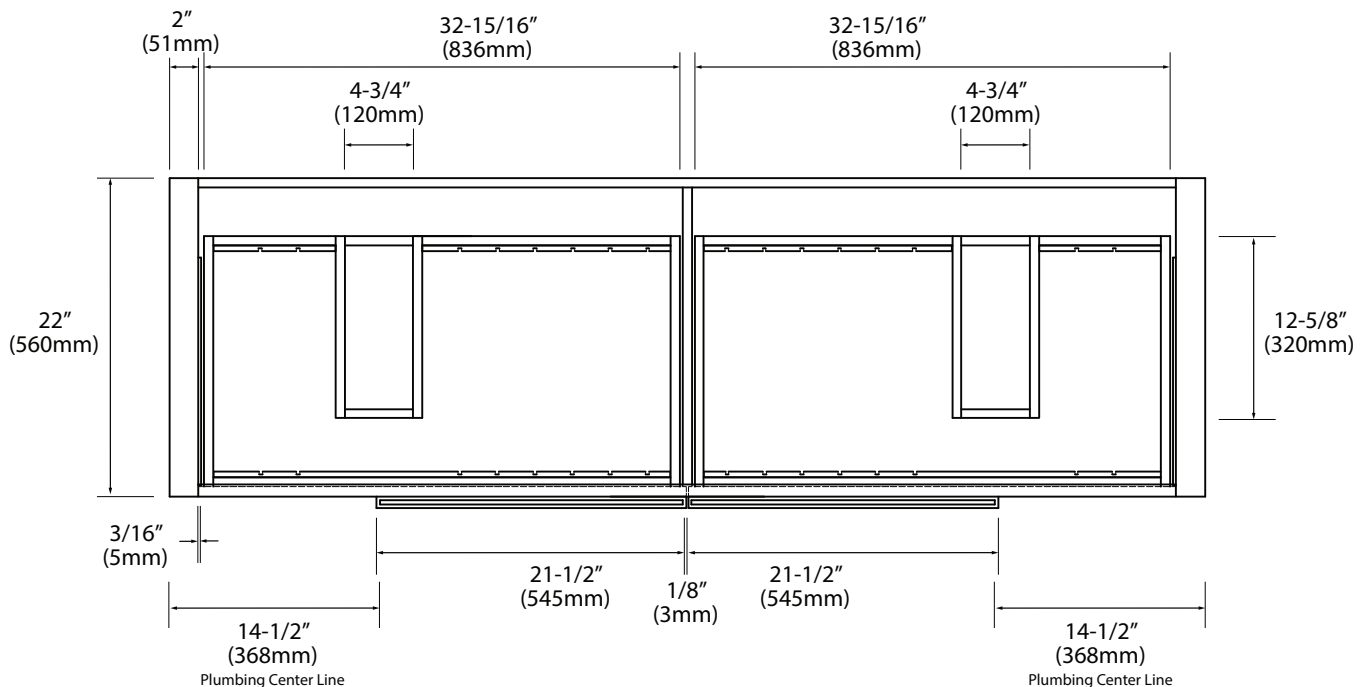
## Villa - 72D

## Specification & Installation Guide

### FRONT VIEW



### TOP VIEW

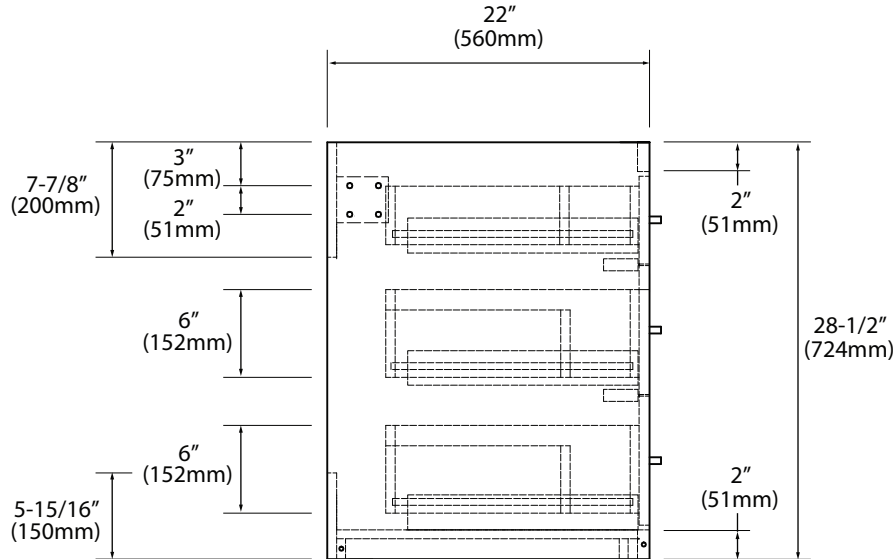


For clarification, please contact Madeli Customer Care at (800)-819-6988 or (305)-718-8817 Ext. 1 or [service@madeli.com](mailto:service@madeli.com)  
All dimensions are approximate and subject to standard tolerance. Specifications subject to change without prior notice.

## Villa - 72D

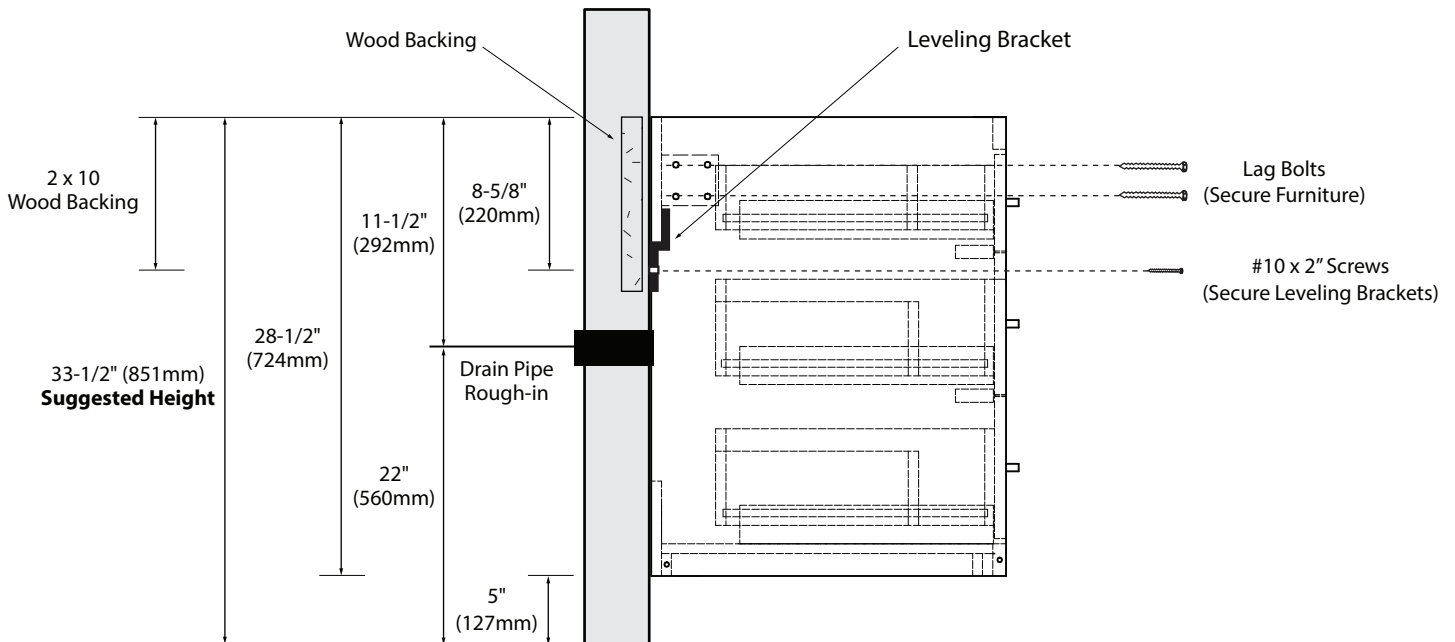
## Specification & Installation Guide

### SIDE VIEW



### TYPICAL INSTALLATION

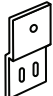




The typical dimensions shown will result in vanity cabinet height of 33-1/2" (851mm). Depending on the countertop selected, the total height will vary from 34-1/4" (870mm) to 38" (965mm). If an alternate height is desired, adjust the rough-in and backing material heights using the dimensions provided.



## Villa - 72D

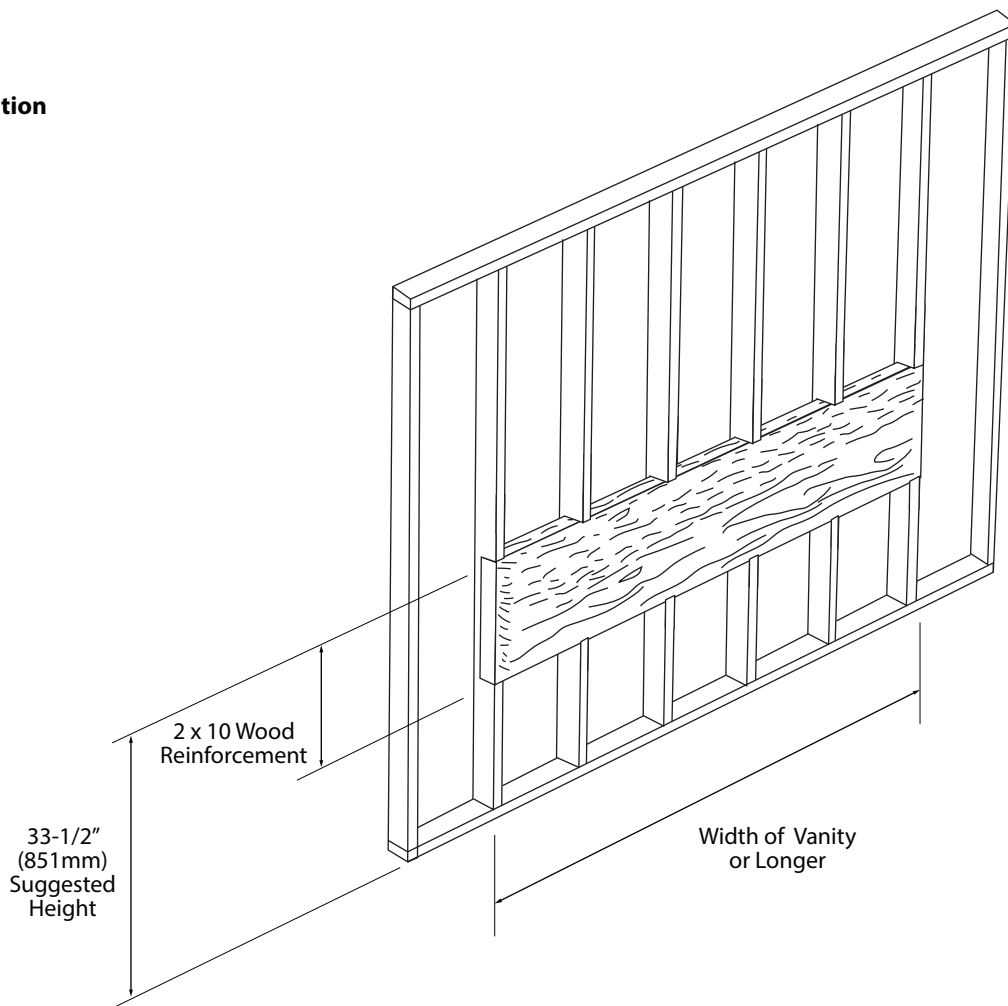
## Specification & Installation Guide

### INSTALLATION INSTRUCTIONS

Item	Leveling Bracket	#10 x 2" Screws	Anchors	Lag Bolt 5/16 x 2-1/2"	Silicone (not included)
Qty.	2	4	8	8	1
					

### STEP 1

#### Wall Preparation



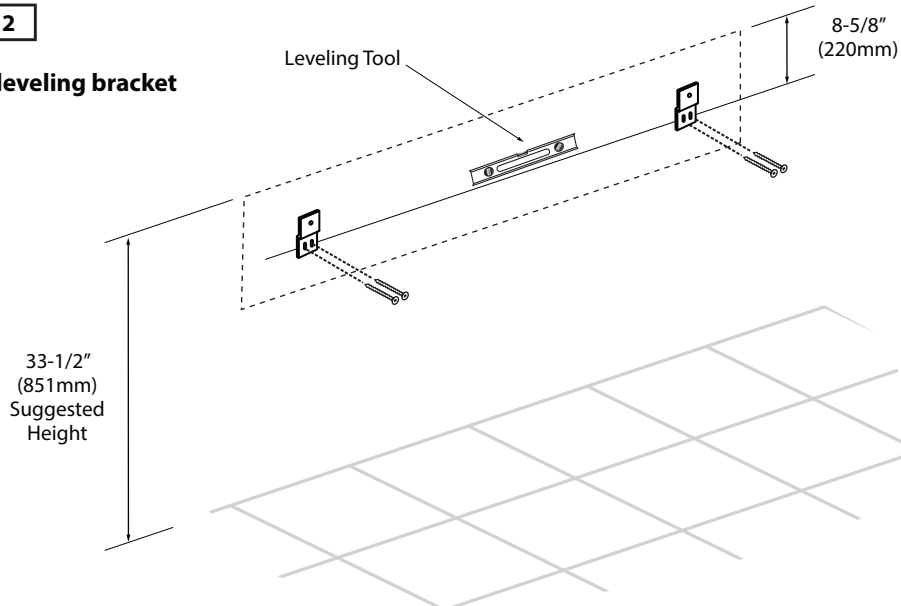
For clarification, please contact Madeli Customer Care at (800)-819-6988 or (305)-718-8817 Ext. 1 or [service@madeli.com](mailto:service@madeli.com)  
All dimensions are approximate and subject to standard tolerance. Specifications subject to change without prior notice.

## Villa - 72D

## Specification & Installation Guide

### STEP 2

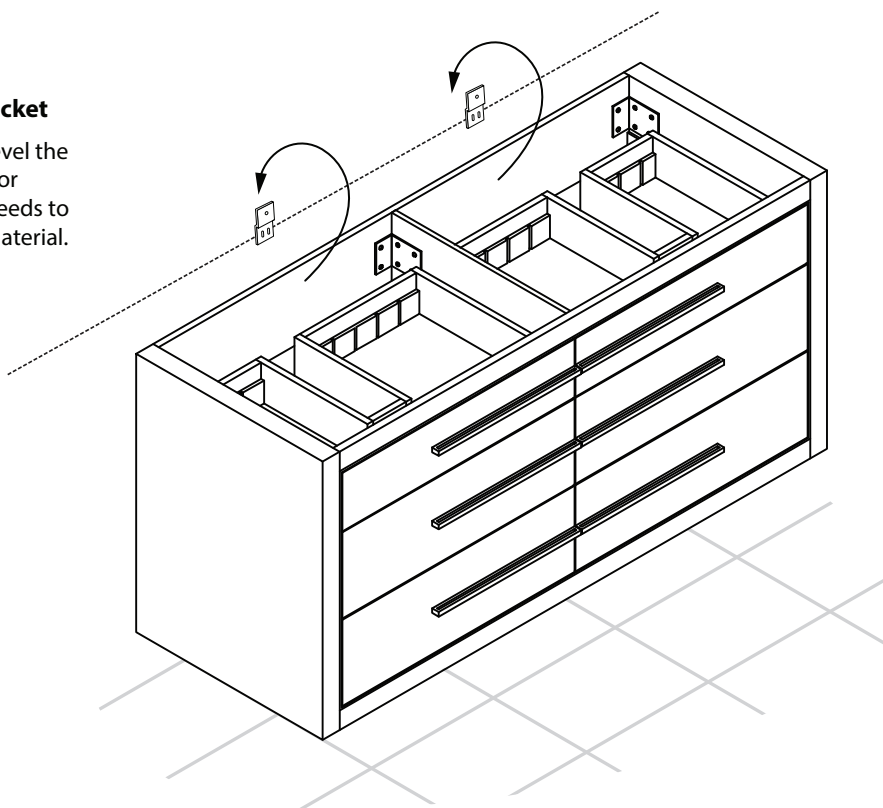
#### Install leveling bracket



### STEP 3

#### Place vanity on leveling bracket

Leveling brackets are only to level the vanity. They are not designed for permanent support. Cabinet needs to be secured to wood backing material.



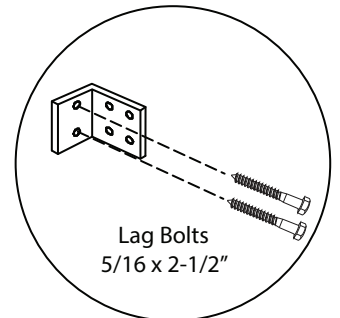
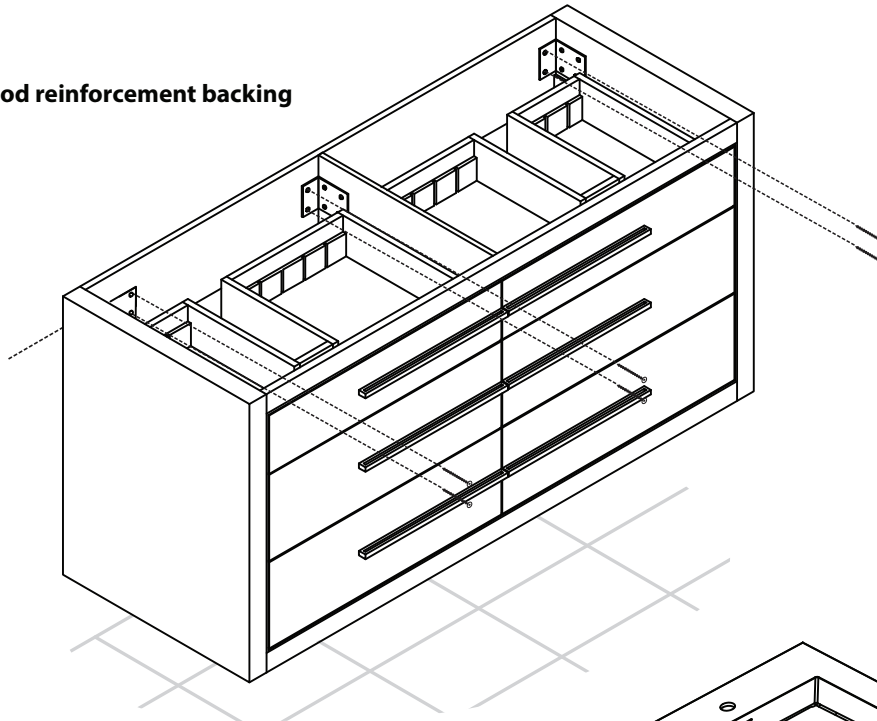
For clarification, please contact Madeli Customer Care at (800)-819-6988 or (305)-718-8817 Ext. 1 or [service@madeli.com](mailto:service@madeli.com)  
All dimensions are approximate and subject to standard tolerance. Specifications subject to change without prior notice.

## Villa - 72D

## Specification & Installation Guide

### STEP 4

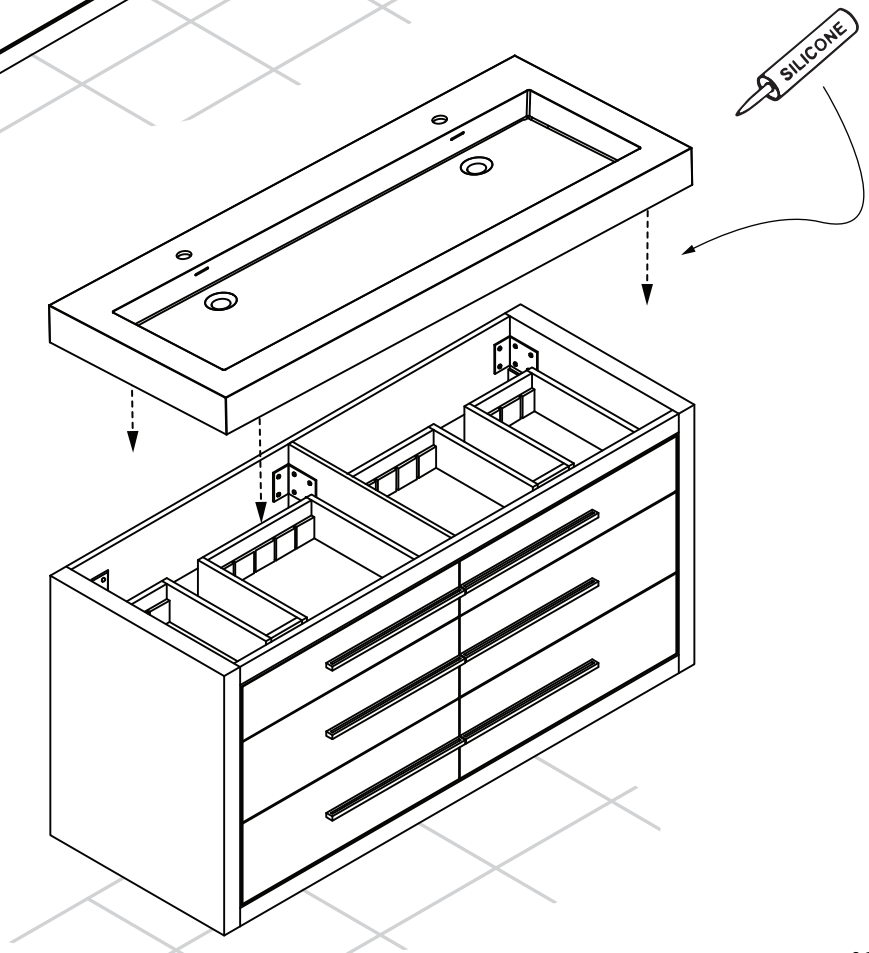
Secure vanity to wood reinforcement backing



Lag Bolts  
5/16 x 2-1/2"

### STEP 5

Install countertop with Silicone



For clarification, please contact Madeli Customer Care at (800)-819-6988 or (305)-718-8817 Ext. 1 or [service@madeli.com](mailto:service@madeli.com)  
All dimensions are approximate and subject to standard tolerance. Specifications subject to change without prior notice.