

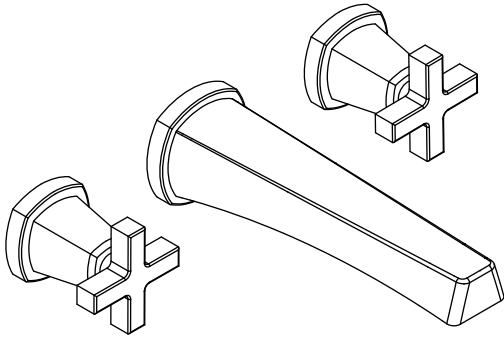
## 240.2450 | Three Hole Wall Mount Bathtub Faucet

### SPECIFICATIONS:

- Solid Brass construction - includes valve (WLM.1900)
- Three Hole Installation
- 8.0 GPM Flow Rate @ 60 PSI
- Ceramic disc cartridge allows both volume and temperature control
- Extension Available - 240.1950E\*\*

### STANDARDS:

- ASME A112.18.1 / CSA B125.1, NSF-61



Legislation Compliance



ZeroDrip Technology



### Technical Diagram

