



# bathonomyDiverterTubSpout

**Devon**

Diverter Tub Spout -  
Wall Mount - 3"

## Features

Modern bathtub spout with diverter of our Devon family, a family of components for your shower with a square and modern design that will delight your daily shower. This family covers everything you need to build your bathroom area: mixers, heads, hand showers, connectors, tub spout, etc. Available in different finishes and functions.

- Bathtub spout with diverter
- NPT 1/2 in. inlet
- Rustproof: Yes

## Material

- Premium material construction with metal handle ensures reliability and durability.
- BATHONOMY finishes resist corrosion and tarnishing.
- Brass construction

## Dimensions

- W: 1.4" \* H: 2.7" \* D: 2.95"

## Weight

- 0.9 lb.



## Codes/Standards




COF.TUS.DEV.03.00.BR.PCH

## BATHONOMY Faucet Lifetime Limited Warranty

See website for detailed warranty information.

## Available Colors/Finishes

*Color tiles intended for reference only.*

Color	Code	Description
	BNI	Brushed Nickel
	MBL	Matt Black
	PCH	Polished Chrome
	SBR	Satin Brass



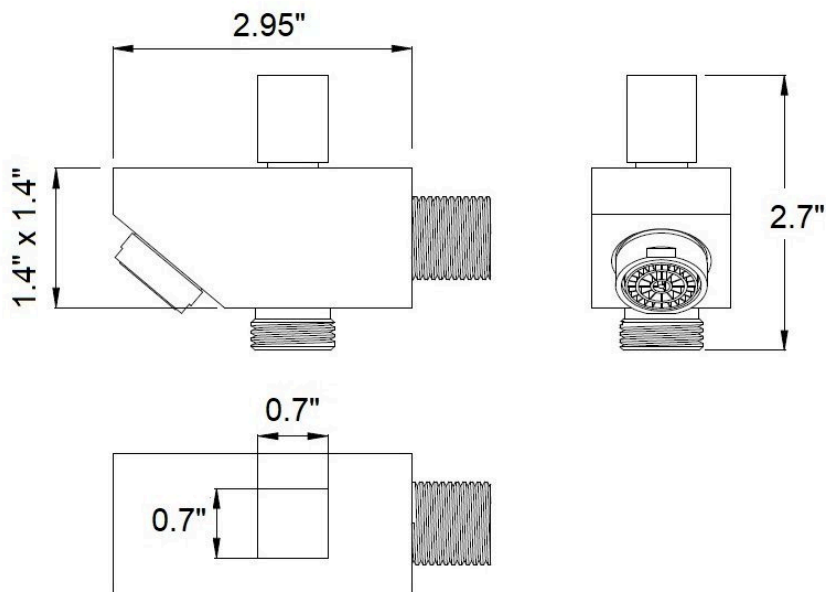
**Codes / Standards compliance:** Uniform Plumbing Code (UPC)  
 National Plumbing Code of Canada  
 ASME A112.18.1-2018 / CSA B125.1-18 / ASSE 1016  
 IAPMO file number: 8659 (for more info visit: <http://pld.iapmo.org/default.aspx>)  
 SKU for iapmo search LTA1010



# bathonomy Diverter Tub Spout

**Devon**

Diverter Tub Spout -  
Wall Mount - 3"



## Technical Information

All product dimensions are nominal.

## Notes

Install the product according to the installation guide.