



# bathonomy TubSpout

## Devon

Diverter Tub Spout  
Wall Mount - 7"

### Features

Modern bathtub spout with diverter of our Devon family, a family of components for your shower with a square and modern design that will delight your daily shower. This family covers everything you need to build your bathroom area: mixers, heads, hand showers, connectors, tub spout, etc. Available in different finishes and functions.

- Bathtub spout with diverter
- NPT 1/2 in. inlet
- G 1/2 in. outlet
- Adjustable scutcheon

### Material

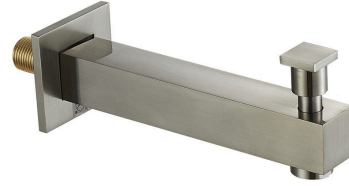
- Premium material construction with metal handle ensures reliability and durability.
- BATHONOMY finishes resist corrosion and tarnishing.
- Brass construction

### Dimensions

- W: 1.12" \* H: 2.25" \* D: 7.5"

### Weight

- 1.8 lb.



### Codes/Standards

COF.TUS.DEV.07.51.BR.BNI

### BATHONOMY Faucet Lifetime Limited Warranty

See website for detailed warranty information.

### Available Colors/Finishes

*Color tiles intended for reference only.*

Color	Code	Description
	BNI	Brushed Nickel
	MBL	Matt Black
	PCH	Polished Chrome
	SBR	Satin Brass



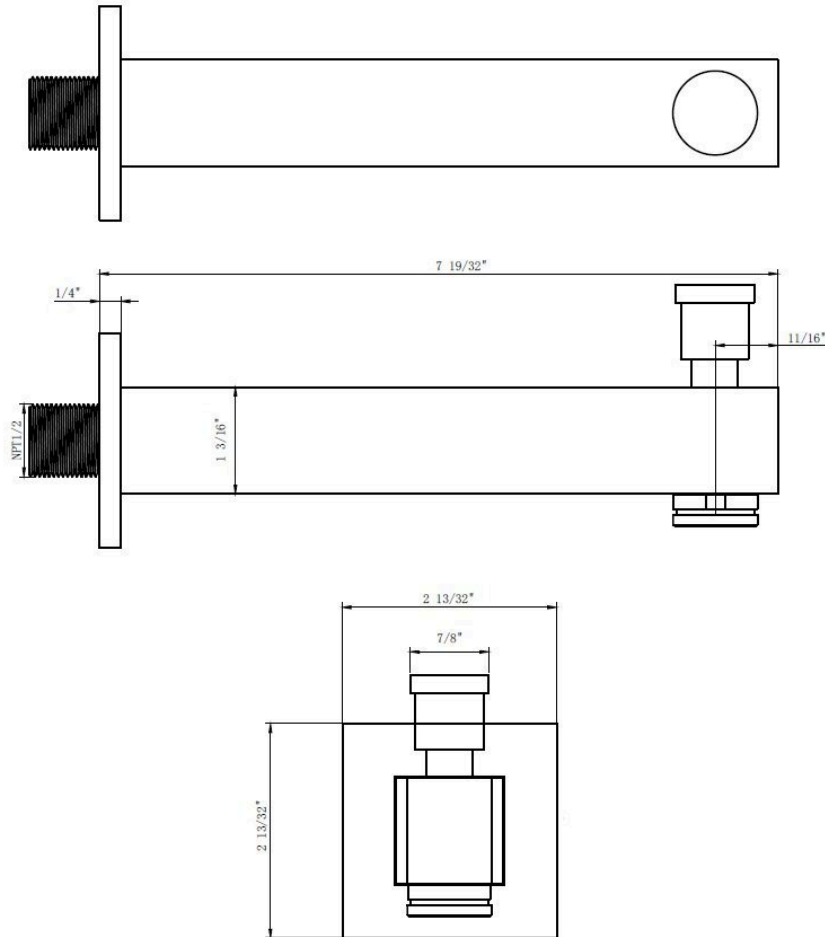
**Codes / Standards compliance:** Uniform Plumbing Code (UPC)  
 National Plumbing Code of Canada  
 ASME A112.18.1-2018 / CSA B125.1-18 / ASSE 1016  
 IAPMO file number: 8659 (for more info visit: <http://pld.iapmo.org/default.aspx>)  
 SKU for iapmo search LTA1010



# bathonomy TubSpout

**Devon**

Diverter Tub Spout  
Wall Mount - 7"



## Technical Information

All product dimensions are nominal.

## Notes

Install the product according to the installation guide.