



# bathonomy Shower Mixer

**Metro**

2 Way Pressure Balance Shower Mixer - Wall Mount - 2"

## Features

- Pressure balance rough-in valve with 2 way diverter.
  - Two way selectable through a diverter
- Shut-off valves and integrated anti-return valves.
  - Temperature and flow limiter incorporated in cartridge.
- Pressure balance cartridge adjust inlet pressure fluctuations.
- Pressure balance cartridge prevent scalding, cold water supply stops when cold water pressure fail.
- Maximun outlet temperature and flow can be limited.
- Minimun working pressure: 20 Psi (1.4 Bar).
- Maximun working pressure: 125 Psi (8 bar).
- Recommended working pressure: 45 Psi (3 Bar).
- Maximun test pressure: 500 Psi (35 Bar)
- Hot water inlet max. temperature: 180°F (80°C)
- Water inlet and outlet threads: Male 1/2 in. NPT



## Codes/Standards

COF.SHM.MTO.02.00.BR.MBL





## BATHONOMY Faucet Lifetime Limited Warranty

See website for detailed warranty information.

## Available Colors/Finishes

*Color tiles intended for reference only.*

### Color Code Description

	BNI	Brushed Nickel
	MBL	Matt Black
	PCH	Polished Chrome
	SBR	Satin Brass

## Material

- Premium material construction with metal handle ensures reliability and durability.
- BATHONOMY finishes resist corrosion and tarnishing.
- Brass

## Dimensions

- D: 3" \* Ø: 6.5"

## Weight

- 4.1 lb.

## Codes / Standards compliance:



Uniform Plumbing Code (UPC)  
 National Plumbing Code of Canada  
 ASME A112.18.1-2018 / CSA  
 B125.1-18 / ASSE 1016  
 IAPMO file number: 8659 (for more  
 info visit: [http://pld.iapmo.org/  
 default.aspx](http://pld.iapmo.org/default.aspx))  
 SKU for iapmo search LTA1010

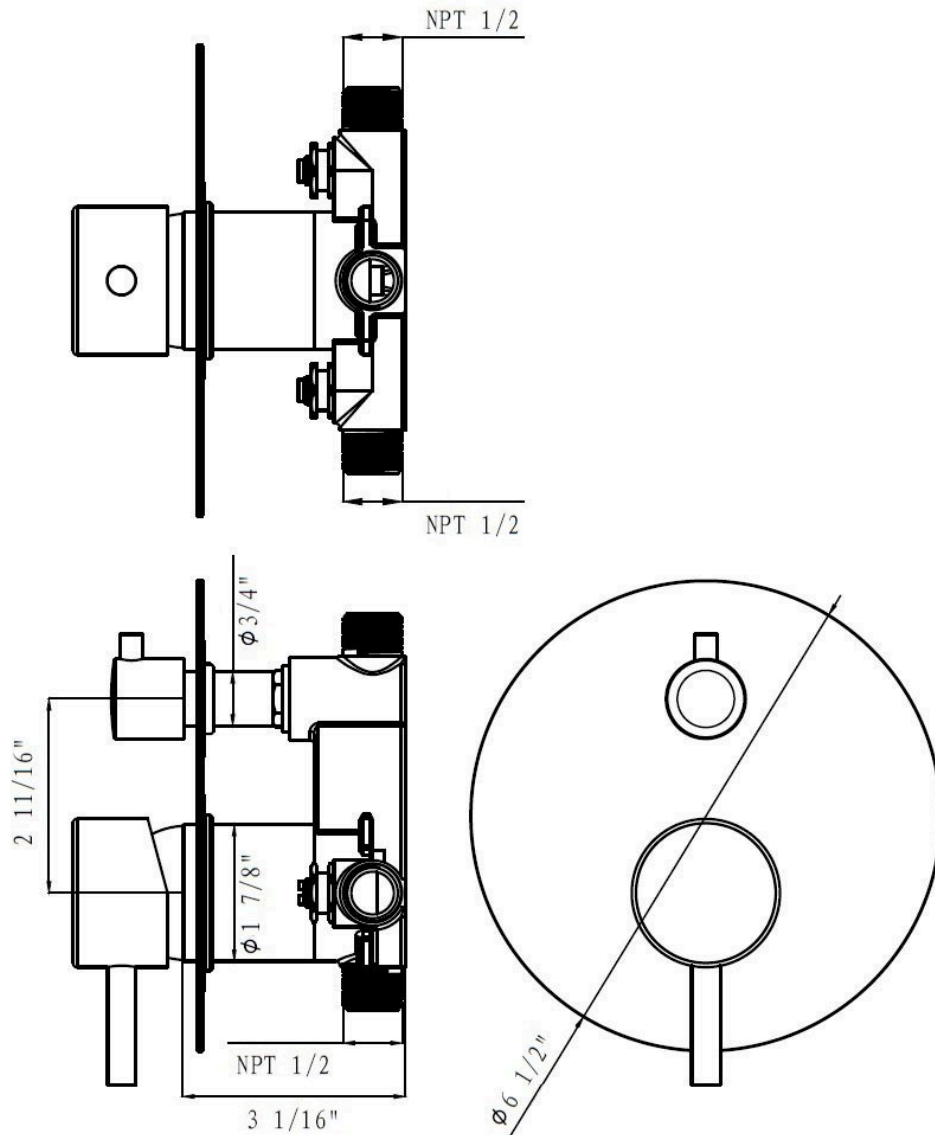




# bathonomy ShowerMixer

**Metro**

2 Way Pressure Balance Shower Mixer - Wall Mount - 2"



## Technical Information

All product dimensions are nominal.

Shower head included: No

Shower arm: No

## Notes

Install the product according to the installation guide.