



bathonomy ShowerHead

Devon

Recessed Shower Head -
Ceiling Mount - 12"

Features

Shower head for recessed ceiling mounting of our family Devon bathroom fixtures. This shower head is specially designed to be installed in showers where the ceiling height is low. Only leaves the ceiling 1/8 inch so your shower will have a modern design while functional. Made in polished stainless steel will make your product stand the test of time as the first day. Available in different finishes.

- Specially designed for low-level showers
- Flow rate: 2.5 Gpm
- 1/2 inch female inlet.

Material

- Premium material construction with metal handle ensures reliability and durability.
- BATHONOMY finishes resist corrosion and tarnishing.
- Brass construction

Dimensions

- W: 11.87" * H: 0.12" * D: 11.87"

Weight

- 6.6 lb.

Installation

- Mounts flush to the surface of a drop ceiling.
- Easy-mount bracket and two-panel system improve the installation process.
- Z-bracket contains four leveling nuts to simplify installation.
- Real Rain overhead panel has 1/2" NPT male water supply inlet.



Codes/Standards

COF.SHH.DEV.12.02.SS.MBL

BATHONOMY Faucet Lifetime Limited Warranty

See website for detailed warranty information.

Available Colors/Finishes

Color tiles intended for reference only.

Color Code Description

| Color | Code | Description |
|---|------|--------------------------|
|  | BSS | Brushed Stainless Steel |
|  | MBL | Matt Black |
|  | PSS | Polished Stainless Steel |
|  | SBR | Satin Brass |



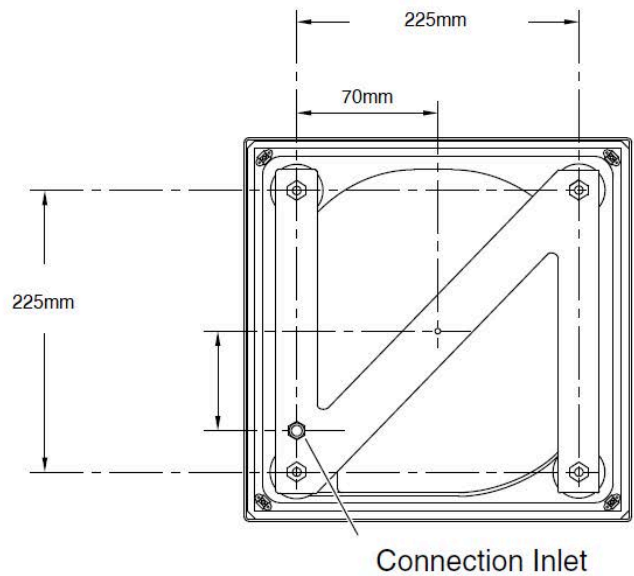
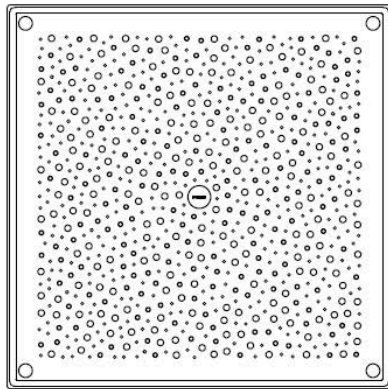
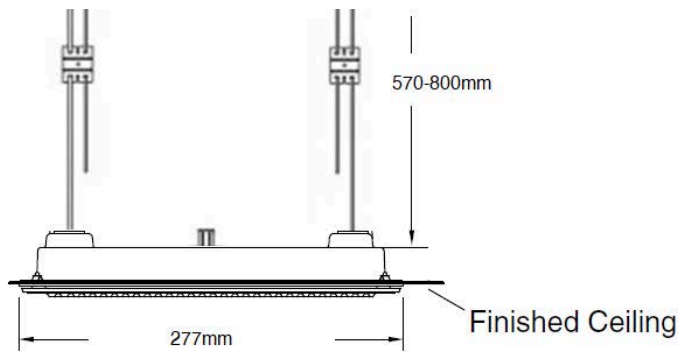
Codes / Standards compliance: Uniform Plumbing Code (UPC)

National Plumbing Code of Canada

ASME A112.18.1-2018 / CSA B125.1-18 / ASSE 1016

IAPMO file number: 8659 (for more info visit: <http://pld.iapmo.org/default.aspx>)

SKU for iapmo search LTA1010



Technical Information

All product dimensions are nominal.

Notes

Install the product according to the installation guide.