



bathonomy ShowerHead

Devon

Double Function Shower Head
Wall Mount - 10"

Features

Devon family double-function shower head, a family of harmonious aesthetics that decorates the bathroom space with defined classic lines that adapt to the urban style. This family covers everything you need to build your bathroom area: mixers, heads, hand showers, connectors, tub spouts, etc. Simple pieces in a compact form that incorporates refined finishes that make this work an exclusive column. Its innovative thermostatic valve design improves the functionality of continuous use. Available in different finishes.

- Suggested room fit: Showers
- Waterfall and rain shower.
- 1/2" NPT male inlet for each function
- 2 functions, needs premixed water
- 4 Gpm @ 80 PSI / 15 L/min @ 522 kPa
- Silicone nozzles easy to clean in rain function

Material

- Premium material construction with metal handle ensures reliability and durability.
- BATHONOMY finishes resist corrosion and tarnishing.
- Brass construction

Dimensions

- W: 9" * H: 1.25" * D: 19.75"

Weight

- 7.7 lb.



Codes/Standards

COF.SHH.DEV.10.00.SS.BSS

BATHONOMY Faucet Lifetime Limited Warranty

See website for detailed warranty information.

Available Colors/Finishes

Color tiles intended for reference only.

Color	Code	Description
	BSS	Brushed Stainless Steel
	MBL	Matt Black
	PSS	Polished Stainless Steel
	SBR	Satin Brass



Codes / Standards compliance: Uniform Plumbing Code (UPC)

National Plumbing Code of Canada

ASME A112.18.1-2018 / CSA B125.1-18 / ASSE 1016

IAPMO file number: 8659 (for more info visit: <http://pld.iapmo.org/default.aspx>)

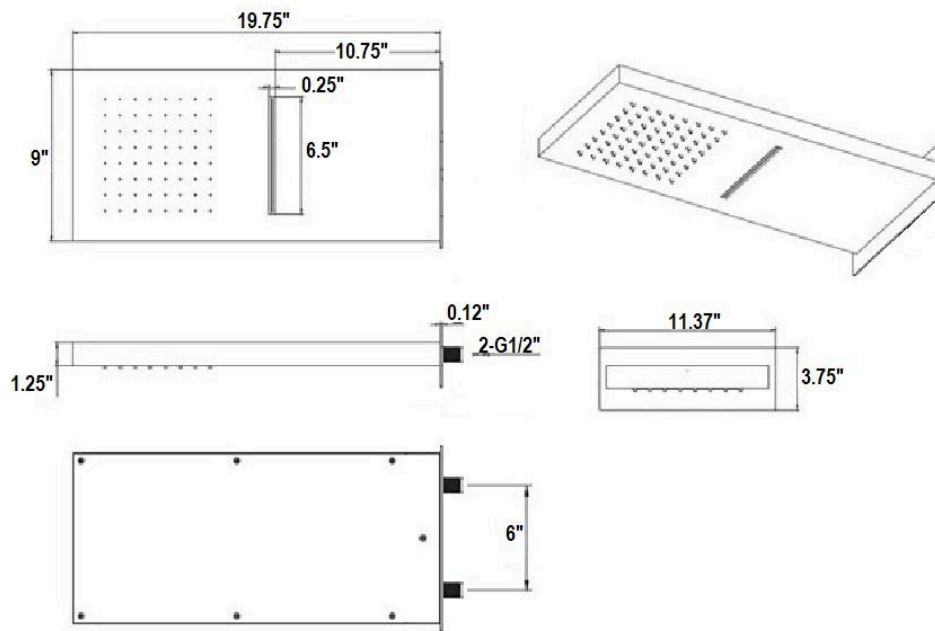
SKU for iapmo search LTA1010



bathonomy ShowerArm

Devon

Double Function Shower Head
Wall Mount - 10"



Technical Information

All product dimensions are nominal.

Notes

Install the product according to the installation guide.